

Programmed repair – Models 124, 201

Complaint:

Noise on rear axle model 201

Cause/remedy:

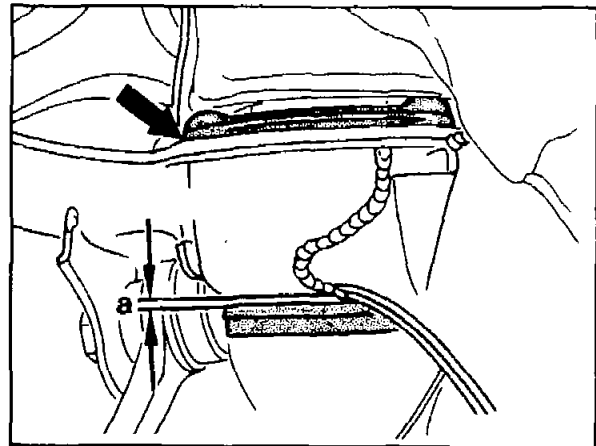
Cause

Vibrations, or knocking and rattling noises can occur on uneven roads at higher speeds.

Testing

Distance "a" must be at least 3 mm.

The collar of the rubber mount must contact the rear axle bracket (arrow).



P35-5583-13

Remedy

If the distance is insufficient, install a B12 spacer between rubber mount and stop plate. If the rubber mount collar does not contact the rear axle bracket, replace the two front rubber mounts (35-040).

Complaint/type of modification

Standardization of rear axle housing for model 124 and 201

Vehicles concerned

Model	As of chassis ident. no.
124.020/120/125	A 004 475
124.023/026/030/130	A 005 188
201.02/1	A 176 716 F 068 401
201.03	A 179 354

Cause/remedy

Cause

As of 12/84, the rear axle housing on models 124 and 201 have been rationalized on the basis of model 124.

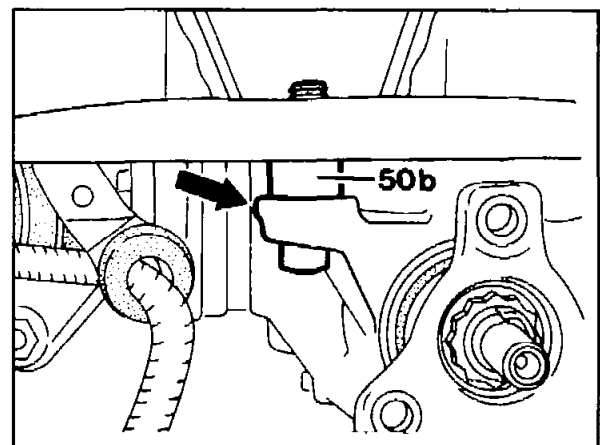
Remedy

In order to install the propeller shaft and the rear axle center assembly in the correct relative position, different shims or distance sleeves are required on the front mounting of the rear axle center assembly (refer to table on height compensation and 35-520).

Height compensation – rear axle center assembly/propeller shaft

Model	Identification	Code number stamped on front cross member	Height compensation
124 ³⁾	without rib	Number from 1 to 4 ¹⁾	Shim ²⁾ with notch number the same as the code number. Additional washer of 1.5 mm thickness.
	with rib	Number from 1 to 4 ¹⁾	Shim ²⁾ with notch number the same as the code number.
201.02/1	without rib	-	No distance sleeve, screw length 30 mm.
	with rib	-	Distance sleeve (50b) 13.5 mm long, bolt length 45 mm or 50 mm.
201.034	without rib	-	Distance sleeve 15 mm long or distance sleeve 13.5 mm long and 1.5 mm thick washer; bolt length 50 mm in each case.
	with rib	-	Distance sleeve 13.5 mm in length, bolt length 50 mm.

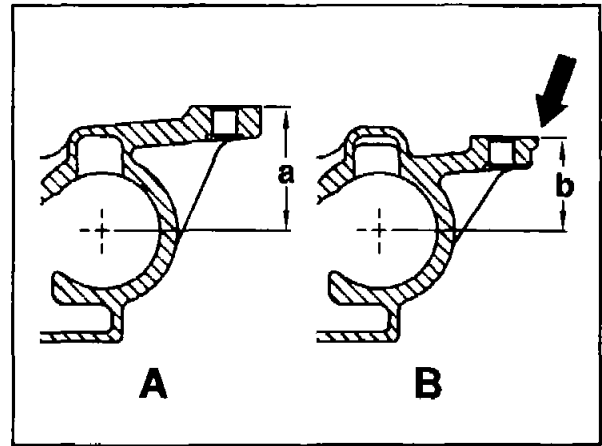
- 1) If code number is not stamped in: do not install shim.
- 2) 1st version (32 mm dia. washer): one-sided notches on the shim.
2nd version (45 mm dia. washer): notches on both sides, on opposite sides of the shim.
- 3) As of 08/88, no code number stamped on, a standard washer of 2.6 mm thickness installed after that date.



Location on model 201

P35-5576-13

- A Rear axle housing with first version mounting eye without rib
Dimension "a" = 60 mm
- B Rear axle housing with second version mounting eye with rib (rib eliminated approx. middle of 92)
Dimension "b" = 46 mm



P35-5901-13

Complaint/type of modification:

ABS speed sensor with modular design

Cause

As of 09/85 and 03/86 an ABS speed sensor with module design was introduced for models 124 and 201.

Remedy

The larger sensor head made it necessary to move the mounting hole in the rear axle housing.

Previous version

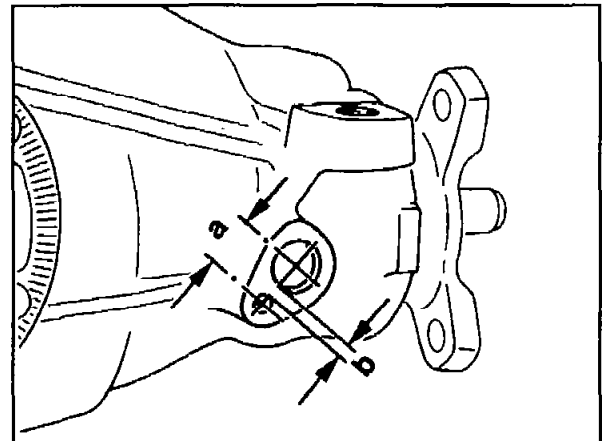
a = 13 mm

b = 2.8 mm

Modified version

a = 15.7 mm

b = 5.5 mm



P35-5540-13

Complaint/type of modification

Additional dust cover for rear axle wheel bearing on vehicles used on bad roads

Cause

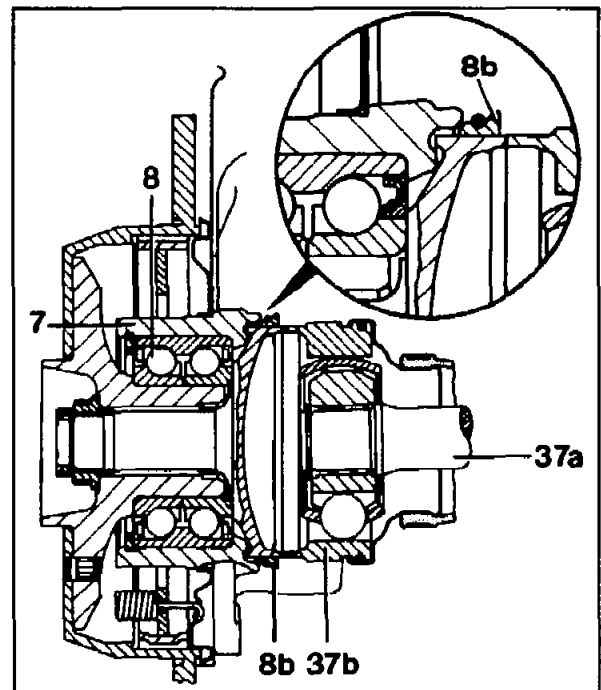
On model 124 and 201 an additional dust cover can be installed. This provides additional dust protection for the wheel bearing seal.

Parts

Designation	Part no.
Dust sealing ring	124 997 12 40

Remedy

A dust sealing ring (8b) in the form of a slinger ring can be installed on the spider ring (37b) on the rear axle shaft (37a) on vehicles used on bad roads.

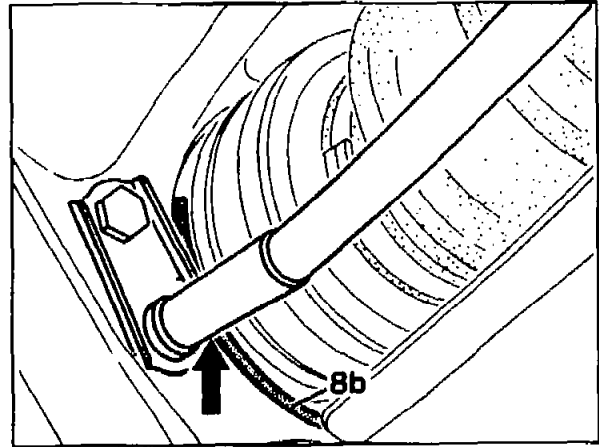


- 7 Wheel carrier
- 8 Wheel bearing
- 8b Dust sealing ring
- 37a Rear axle shaft
- 37b Spider

P35-5539-15

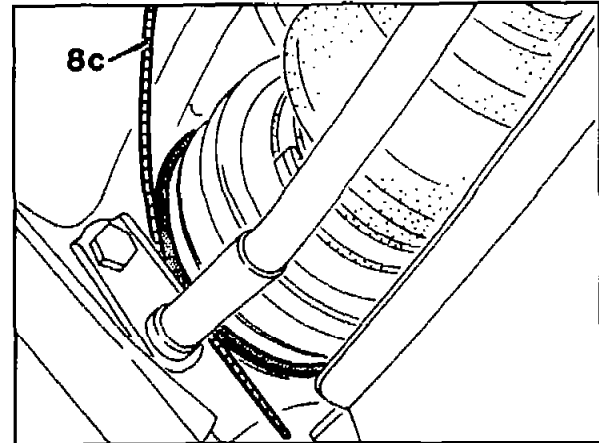
Installation

- 1 Remove brake caliper, install (42-120).
- 2 Insert dust sealing ring (8b) between parking brake cable switch and wheel carrier at one end (arrow).



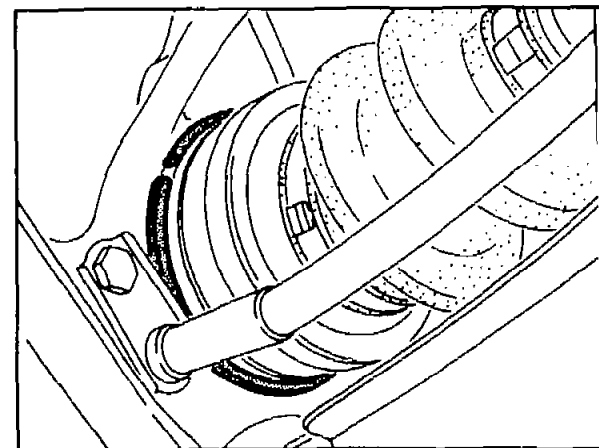
P35-5580-13

- 3 Position dust sealing ring around circumference of rear axle shaft.



P35-5579-13

- 4 Insert clamping spring (8c) for sealing ring on holder for brake cable and install on sealing ring after closing. Position sealing ring.

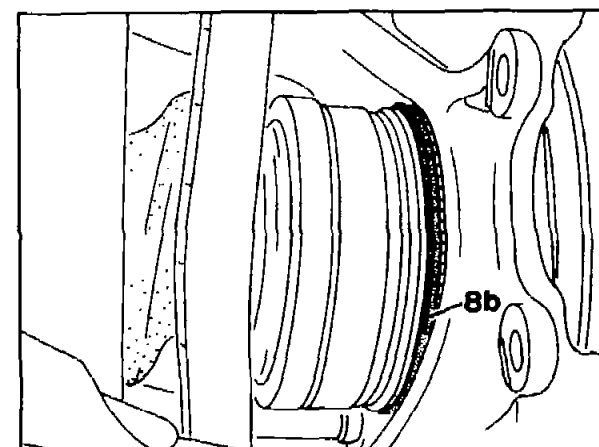


P35-5581-13

Note

To install the clamping spring turn the ends approx. one-half turn counter to the screw-in direction and then put the ends together and turn into one another.

- 5 Turn rear axle shaft and ensure that dust sealing ring (8b) is seated properly.



P35-5582-13

Complaint/type of modification

Hole circle diameter on rear axle center assembly joint flange changed from 80 mm to 90 mm

Cause

On models 124 and 201 with rear axle center assembly ring gear diameter of 168 mm the hole circle diameter on the joint flange for the drive pinion has been increased from 80 mm to 90 mm as of 11/91. The rear propeller shaft has been adapted to the modified hole circle diameter.

On model 124 the joint flange with diameter of 90 mm was only installed temporarily (see production breakpoint table) and conversion to 90 mm dia. was phased in as of 07/93.

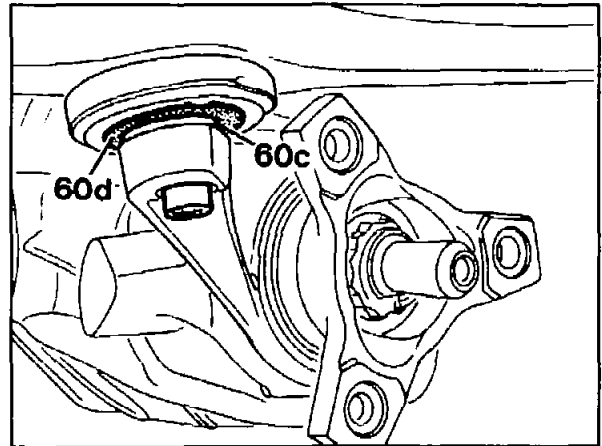
Production breakpoint

Model	as of vehicle ident. end no. ¹⁾	up to vehicle ident. end no. ¹⁾
124	-1B-644 887 -1F-204 958	-1B-655 392 -1F-207 840
201	-1A-662 676 -1F-924 737	

¹⁾ See parts microfiche for deviating vehicle ident. end nos.

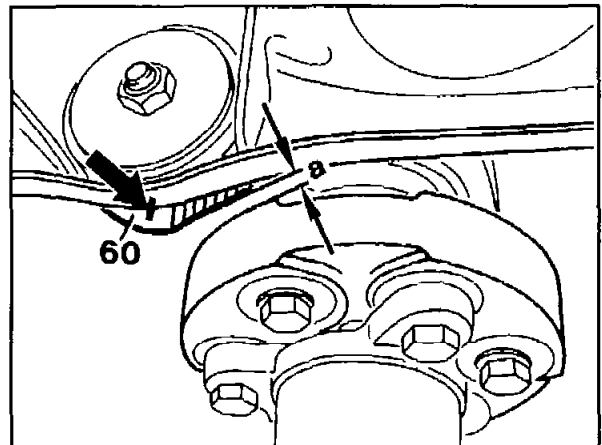
A. Model 124 up to 06/93

With installation of the joint flange with hole circle diameter of 90 mm it was also necessary to install a shim (60d) with a thickness of 1 mm between the rear axle housing and bottom rubber mount in addition to the 2.6 mm aluminum shim (60c). This was necessary in order to ensure sufficient clearance between the companion plate and the external jacket on the front bottom rubber mount.



P35-5380-13

When the center assembly is removed or installed or the front rubber mount (60) is replaced ensure that a clearance of approx. 4–5 mm (dimension "a") is present between the companion plate and outer jacket of the bottom rubber mount. If necessary press in the outer jacket of the rubber mount in the shaded area with a suitable tool. If the outer jacket of the rubber mount has already been pressed in, mark the installation position in relation to the rear axle cross member before assembly (arrow).



P35-5381-13

Illustrated from top with rear axle removed
Dimension "a" approx. 4 – 5 mm

Notes

The rear axle center assemblies with hole circle diameter of 90 mm are not kept in stock in the parts channels for model 124 (see table).

When ordering a rear axle center assembly for model 124 the version for model 201 is delivered. This can also be installed on model 124 after some conversion work.

When returning removed rear axle center assemblies also return the new connection flanges removed from the replacement rear axle center assembly and the end cover and pack so that they will not be damaged.

Replacement parts

Model 124	Model 201	Installation note
Rear axle center assembly with 90 mm hole circle diameter and part no. according to microfiche	Rear axle center assembly with 90 mm hole circle diameter as replacement	
124 350 76 74 (i = 3.07) 124 350 78 74 (i = 3.64) 124 350 80 74 (i = 3.91)	201 350 53 64 201 350 56 64 201 350 57 64	Use rear axle end cover from removed center assembly Part no. 201 351 14 08
124 350 77 74 (i = 3.23)	201 350 54 64	Use rear axle end cover from removed center assembly Part no. 201 351 14 08 and install two new connection flanges without ring mass, part no. 201 350 16 45.
124 350 79 74 (i = 3.46)	201 350 58 64	

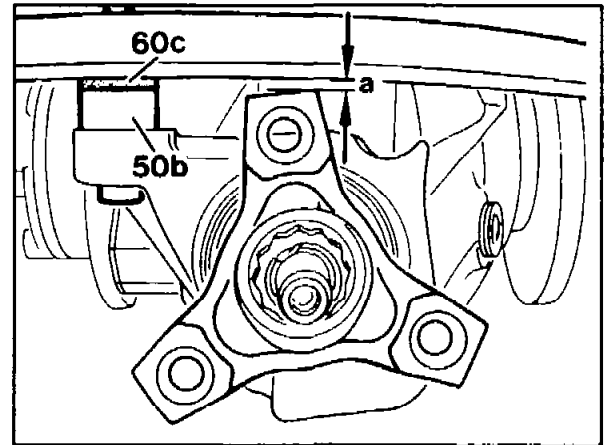
Note: Part numbers are given in the parts microfiche.

B. Model 201

On approximately the first 1600 vehicles with 90 mm hole circle diameter a joint flange **without bezel** on the rear was installed. With this version a 2.6 mm aluminum shim (60c) was installed on the front center assembly mount in addition to the 13.5 mm aluminum spacer sleeve (50b).

The 2.6 mm aluminum shim (60c) is not installed on the joint flange **with bezel**.

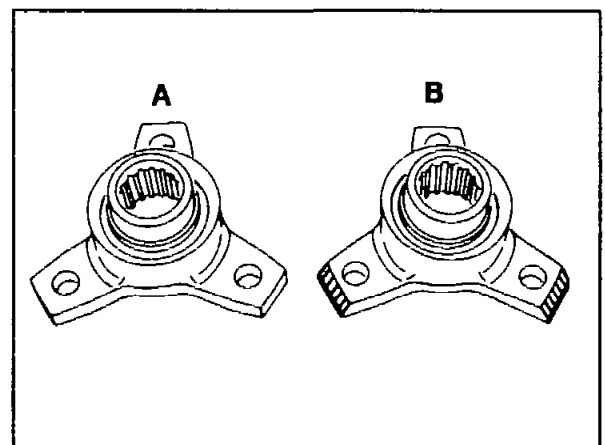
If a joint flange or rear axle center assembly **with bezel** is installed remove the 2.6 mm aluminum shim (60c).



P35-5382-13

Note

If rumbling or droning noises occur at speeds around 120 km/h on vehicles with joint flange without bezel, replace the 2.6 mm aluminum shim (60c) with a 1 mm thick shim (part no. 124 357 15 52). Dimension "a" = 1 mm is a minimum dimension. If necessary install joint flange with bezel without aluminum shim.



- A Joint flange **without** bezel
- B Joint flange **with** bezel

P35-5383-13

Parts

Designation	Part no.
Shim (1 mm)	124 357 15 52
Aluminum shim (2.6 mm)	124 357 20 52

See parts microfiche for additional part numbers.