

For wax preservation compounds refer to page 385 of Specifications for Service Products.

Prior to starting engine compartment wash and engine compartment preservation, the following measures must be performed:

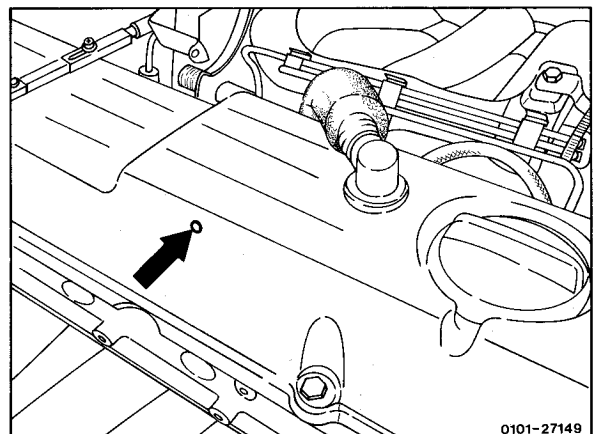
Widely cover fresh air intake range, windshield glass and front fenders.

Cover screw connection of brake fluid tank, as well as the diaphragms on diesel engines with diaphragm vacuum pump with adhesive tape (pull-off adhesive tape again following engine compartment preservation).

Perform engine compartment wash on max. luke-warm engine (exhaust) depending on extent of contamination with demulsifying cold cleaner (short reaction period) and high pressure-hot water cleaning tool.

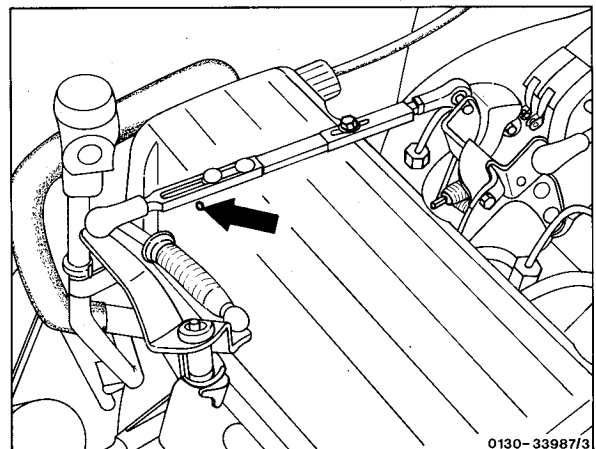
On diesel engines: Exposed piston rod of damper in throttle control linkage, bore for venting diaphragm chamber in pressure control valve on cylinder head cover of TURBO engines and engines with EGR.

Engine 601



0101-27149

Engines 602, 603



0130-33987/3