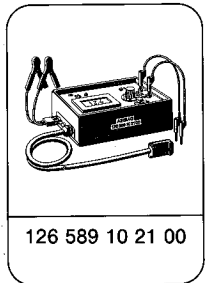


91-635 Removing and installing seat belt with belt tensioner

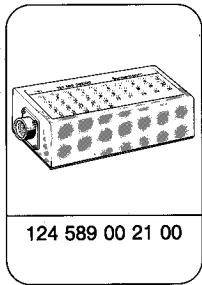
Op. No. of Job Texts and Work Units,
Standard Texts and Flat Rates

Special tool (vehicles up to 09/87)

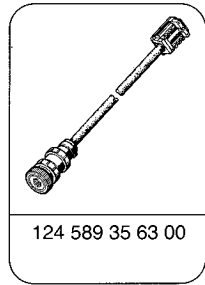


126 589 10 21 00

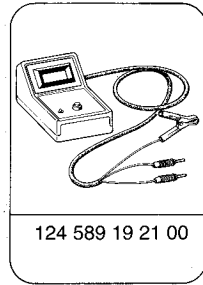
Special tools (vehicles as of 09/87)



124 589 00 21 00



124 589 35 63 00



124 589 19 21 00

Note

Noise in the belt retractor when the seat belt is retracted is due to its method of operation. In the event of complaints, unreasonable noise can only be rectified by renewing the seat belt.

Under no circumstances must oil or grease be used to eliminate noise.

Similarly, the **belt retractor must not be dismantled**, as the pretensioned spring may lead to accidents. Belt retractors which have been opened are no longer covered by warranty.

Conventional tester

e.g.

Multimeter

Sun, DMM-5 or
Avometer 2003
Fluke 23**Testing (vehicles up to 09/87)**

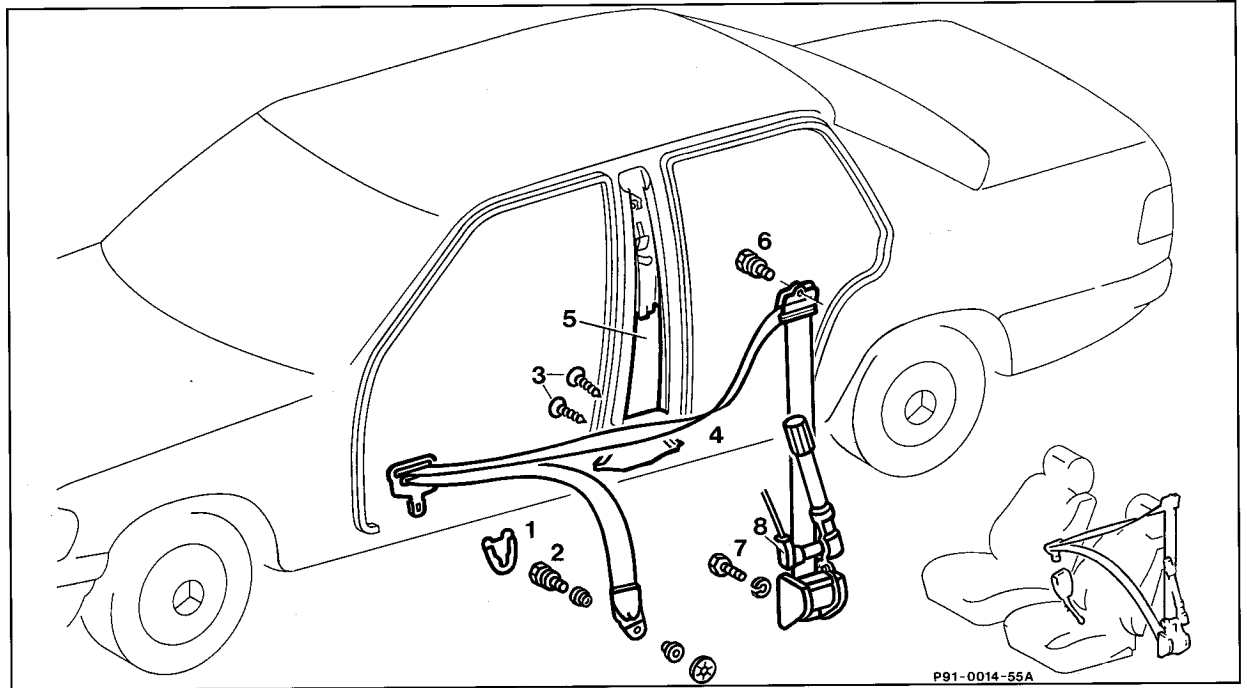
After working on the airbag/belt tensioner restraint system, the resistance of the belt tensioner detonators must be measured using the airbag tester (test steps 4 + 5) (test program for airbag 91-700). In vehicles with belt tensioner (standard equipment), the resistance of the belt tensioner detonators should be measured in accordance with test program 91-750.

Testing (vehicles as of 09/87)

After working on the airbag/belt tensioner restraint system, the resistance of the belt tensioner detonators must be measured and the system tested by means of the pulse display. The test is described in operation number (91-710). In vehicles with belt tensioner (standard equipment), the resistance of the belt tensioner detonators should be measured in accordance with test program 91-750.

A. Sedan

Op. No. of Job Texts and Work Units,
Standard Texts and Flat Rates



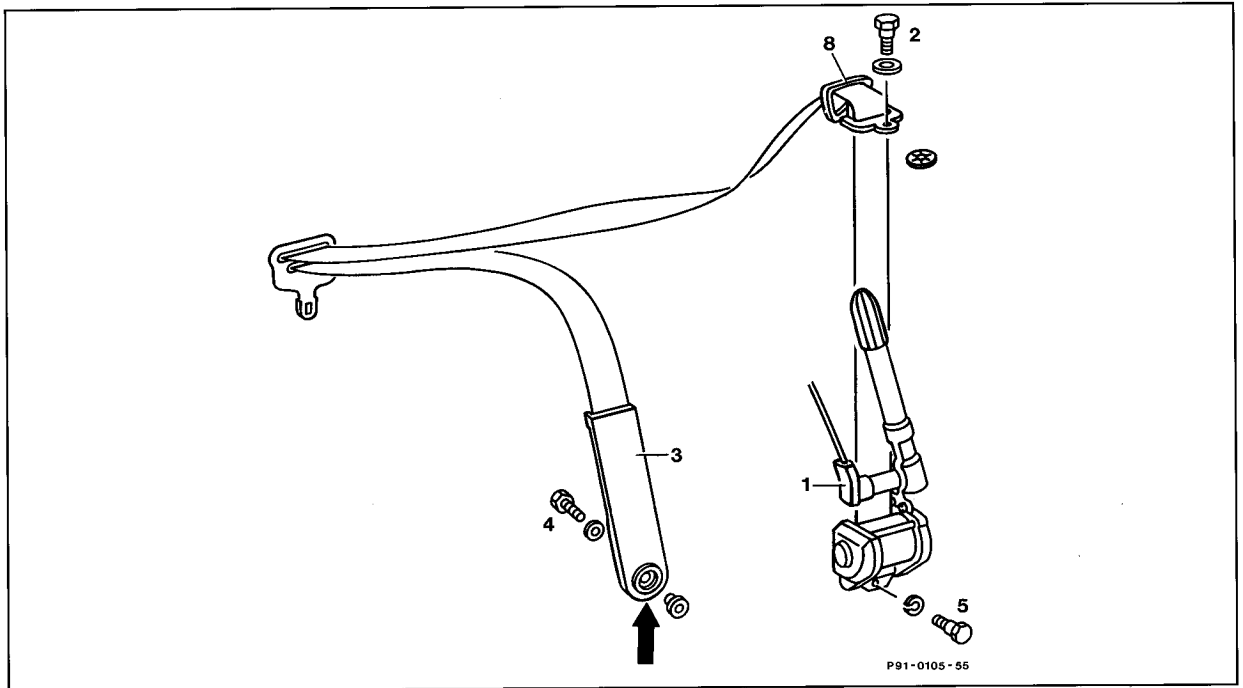
P91-0014-55A

- | | |
|--------------------------------------------------------------------------|--------------------------------|
| Ignition key | Turn to position "0". |
| Negative terminal of battery | Disconnect and cover, connect. |
| With airbag: red 10-pin plug connection in
passenger's footwell | Disconnect, connect. |
| Cover cap (1) | Press off, press in. |
| Bolt (2) | Unscrew, screw in (35 Nm). |

Screws (3) on covering (4)	Unscrew, screw in.
Covering (4)	Remove, install.
Panelling (5) on center pillar	Pull out downwards, install.
Belt strap with belt buckle latch	Pull through opening in panelling.
Bolt (6) on sash guide	Unscrew, screw in (35 Nm)
Bolt (7) on belt retractor	Unscrew, screw in (35 Nm)
Plug connector (8) of belt tensioner detonator	Disconnect, connect.
Belt tensioner	Remove from center pillar, install.

B. Coupé

Op. No. of Job Texts and Work Units,
Standard Texts and Flat Rates



Side wall panelling in rear passenger compartment	Remove, install (68-456).
Ignition key	Turn to position "0".
Negative terminal of battery	Disconnect and cover, connect.
With airbag: red 10-pin plug connection in passenger's footwell	Disconnect, connect.

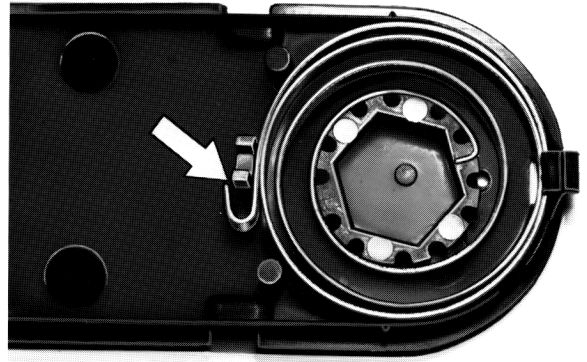
Plug connector (1) of belt tensioner detonator	Disconnect, connect.
Bolt (2) on sash guide	Unscrew, screw in (35 Nm).
Sash guide (8)	Pull out, insert.
Cover (3) for swivel fitting	Open using plastic wedge (arrow). Refer to installation note.
Bolt (4) on side member	Unscrew, screw in (35 Nm).
Bolt (5) on belt retractor	Unscrew, screw in (35 Nm).
Belt tensioner	Remove. Refer to installation note.

Installation note

When installing the belt tensioner, note that there are different versions (for left and right) and ensure that it locates correctly in the catch.

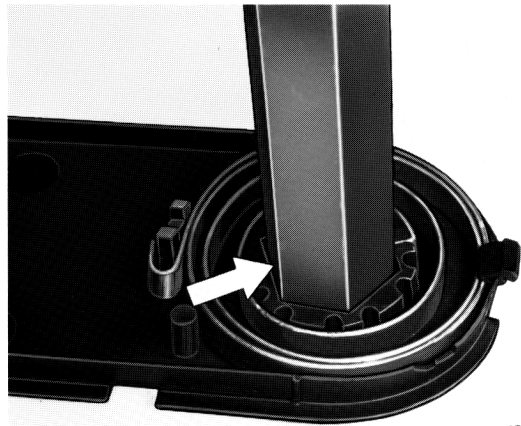
1 When installing a new belt tensioner, open the cover on the swivel fitting using a plastic wedge. Screw the bolt into the side member (35 Nm), close the cover on the swivel fitting and pull out the catch to spring-lock the swivel fitting.

2 When reinstalling the removed belt tensioner, insert the coil spring with its plastic insert into the top section of the swivel fitting and hook in the spring.



191-23119

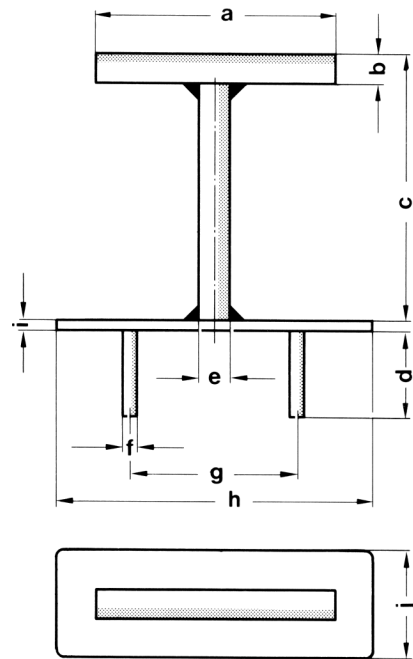
3 Insert Allen wrench into plastic insert and tension spring by rotating through 180°.



191-23118

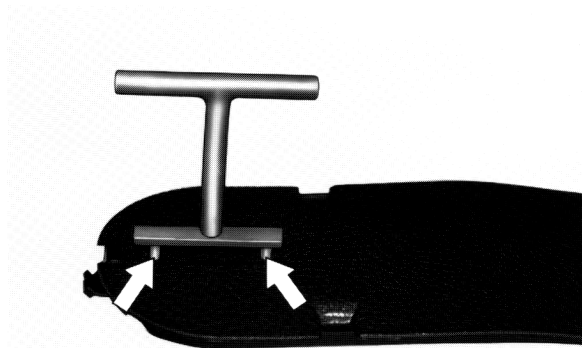
4 Prepare special tool (if not available).

- a 45 mm
- b 4 mm dia.
- c 35 mm
- d 8 mm
- e 4 mm dia.
- f 2 mm dia.
- g 24 mm
- h 40 mm
- i 1.5 mm
- j 8 mm



1914-10867

5 Lock pretensioned plastic insert from the rear face of the top section using special tool.



191-23125

Note

The swivel fitting on the side member must draw the unworn seat belt downwards into the rear corner by means of the spring force so that there is no loop which may ensnare occupants of the vehicle.

After installation, check whether the belt strap is fully retracted.

To test this, draw out the belt diagonally downwards and feed it back by hand together with the buckle latch as far as the guide bracket of the belt reel.