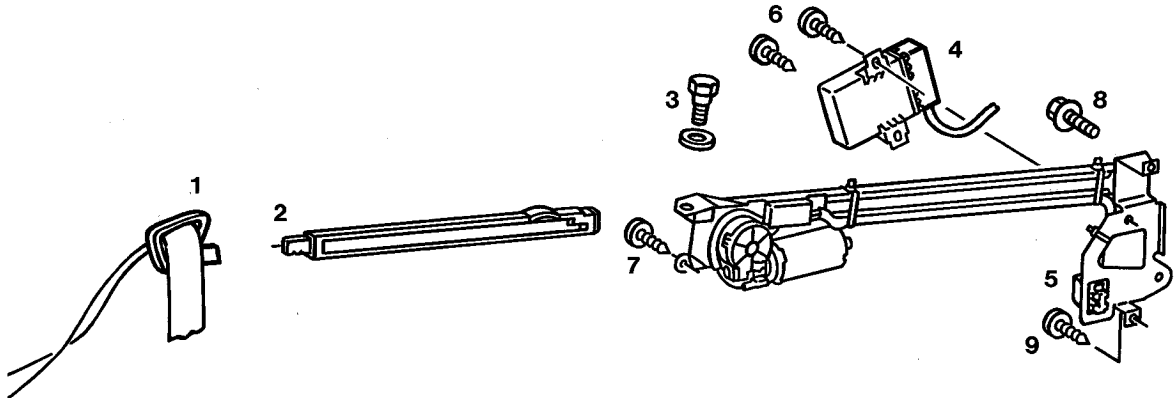


91-508 Removal and installation of complete seat belt extender

Preliminary work:
Side wall panelling in rear removed (68-456).

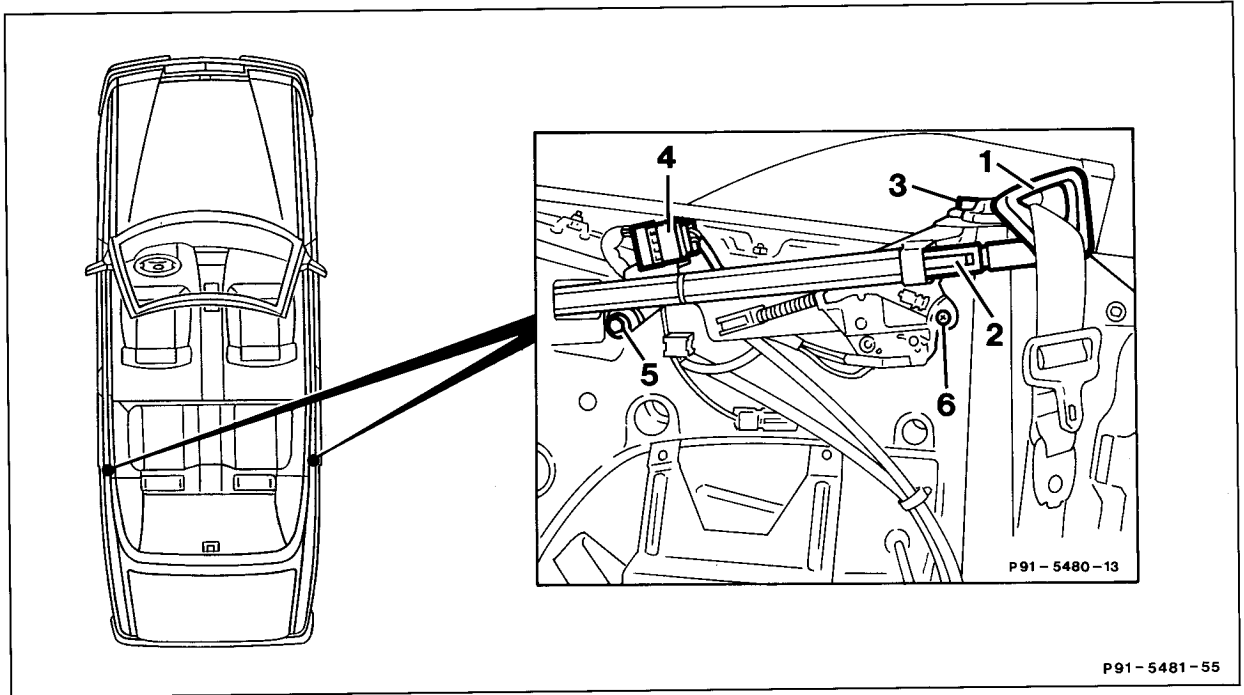
A. Coupe



1913-15192

Ignition/starter switch	turn to position 0.
Ground lead on battery	disconnect, connect.
Guide (1)	remove from rack together with seat belt, install.
Bolt (3) for seat belt guide fitting on B-pillar	screw off, screw on (35 Nm).
Plug connection (4) on control unit and seat belt extender (5)	disconnect, connect.
Screws (6) on control unit	screw out, screw in.
Control unit	remove, install.
Screws (7), (8), (9) on seat belt extender	screw out, screw in.
Seat belt extender	remove, install.

B. Convertible



Ignition/starter switch	turn to position 0.
Ground lead on battery	disconnect, connect.
Guide (1)	remove from rack (2) together with seat belt, install.
Bolt (3) for seat belt guide fitting on B-pillar (observe note)	screw off, screw on (35 Nm).
Plug connection (4) to control unit	disconnect, connect.
Screws (5, 6) on seat belt extender	screw out, screw in.
Seat belt extender	remove, install.

Note

Before removing mark the position of the mounting tab on the guide fitting with a felt tip pen in order to avoid adjustment. Otherwise the seat belt extender could scrape against the side wall panelling when extending and retracting.