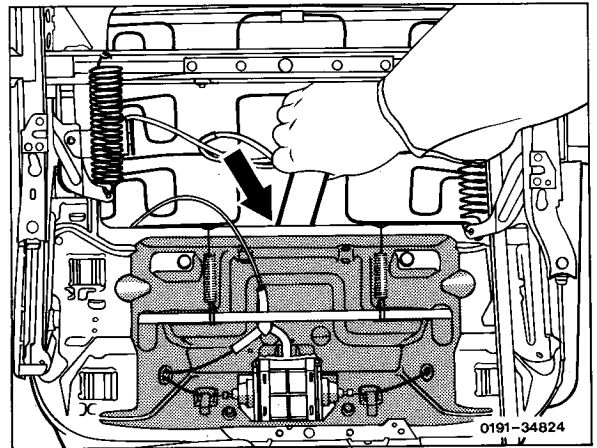


## 91-115 Removal and installation of vacuum element of driver's or front passenger seat (coupe)

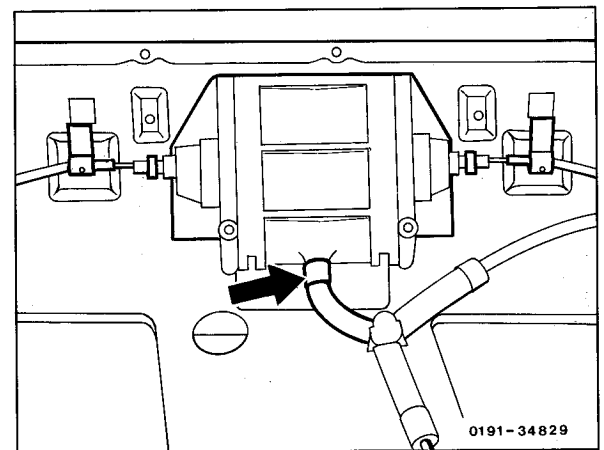
### Removal and installation

1 Driver's or front passenger seat removed (91-100).

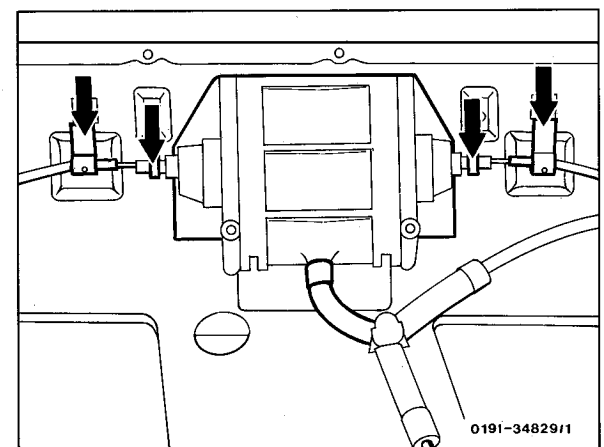
2 Loosen glued-in rubber hair mat from seat cushion frame.



3 Pull vacuum line from vacuum element.

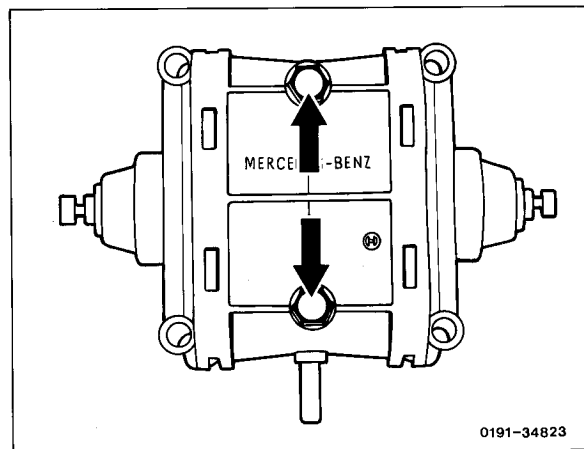


4 Disengage both cable controls on vacuum element, take off lock for this purpose and also remove clamp for attachment to cushion frame from clips.



5 Loosen 8 mm screws (2 each) on vacuum element, push slightly toward the rear and remove from cushion frame.

6 For installation proceed vice versa.



**Note:** When engaging both cable controls, make sure that the cable control envelopes are uniformly projecting for approx. 7 mm on clamps.

