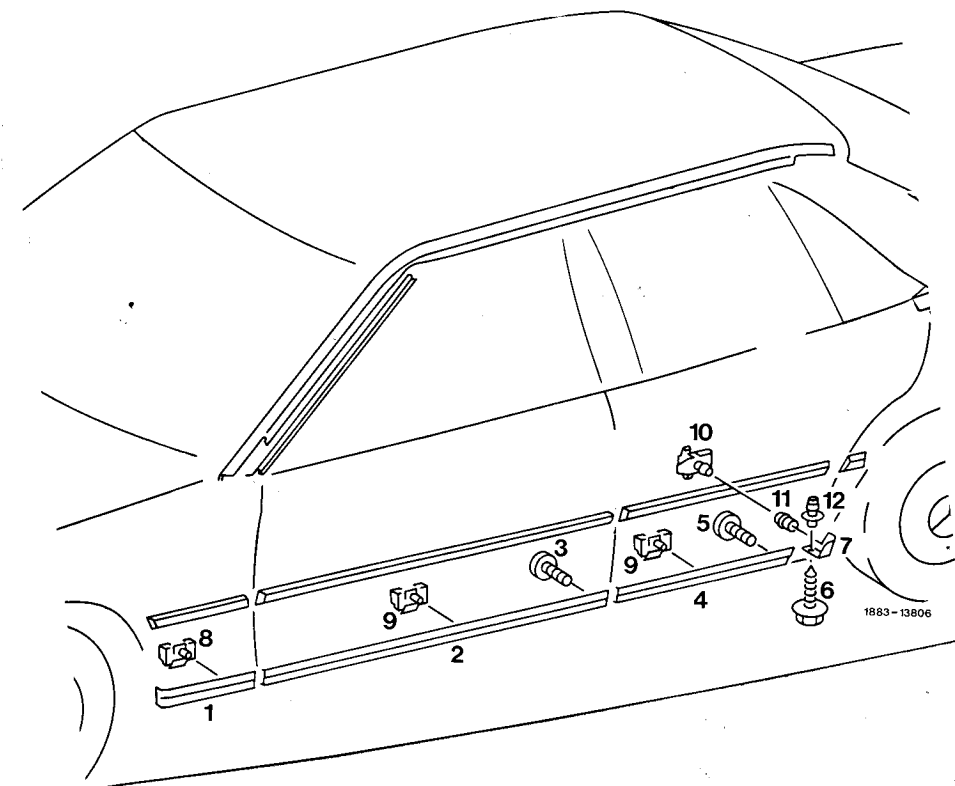
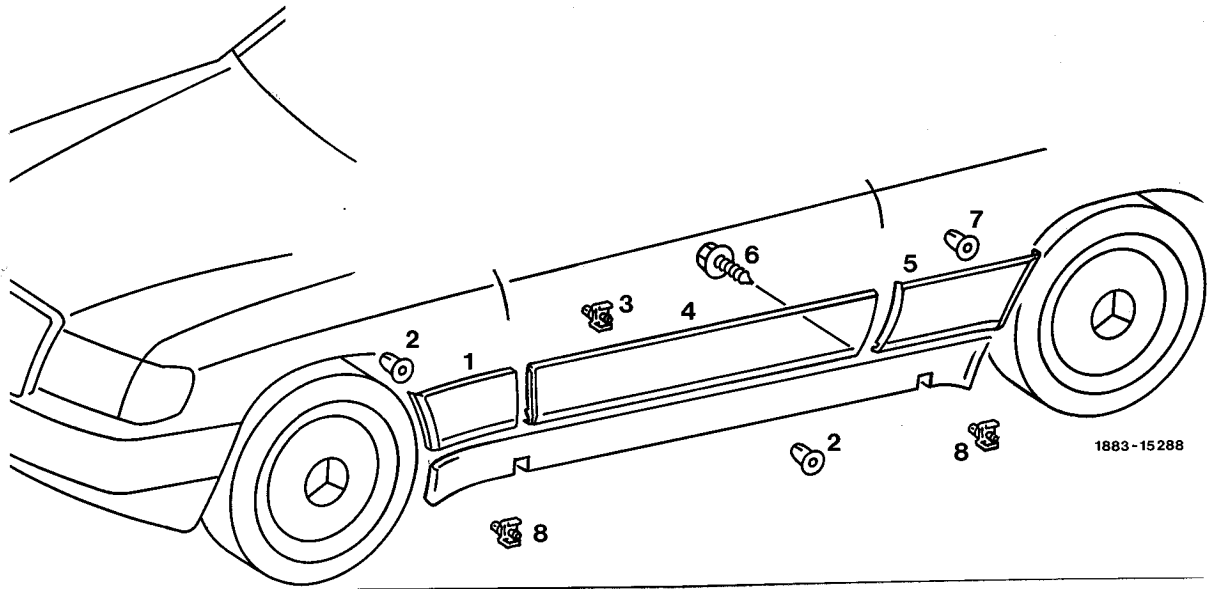


A. Sedan



- |                                         |                                                                                      |
|-----------------------------------------|--------------------------------------------------------------------------------------|
| Trim (1) on front fender .....          | press off with plastic wedge, renew clips (8) if required, press on                  |
| Screw (3) .....                         | unscrew, screw in                                                                    |
| Trim (2) on driver's door .....         | press off with plastic wedge from above, renew clips (9), if required, press on      |
| Screw (5) .....                         | unscrew, screw in                                                                    |
| Trim (4) on rear compartment door ..... | press off with plastic wedge from above, renew clip (9), if required, press on       |
| Screw (6) on wheelhouse trim .....      | unscrew, screw in                                                                    |
| Trim (7) on wheelhouse .....            | press off with plastic wedge, renew clip (10), dowel (11, 12), if required, press on |

## B. Coupe



Trim panel (1) on front fender .....	pull off at bottom first, then at top and remove.
Driver's door .....	open.
Screw (6) .....	unscrew
Trim panel (4) on door .....	press off at bottom, pull toward rear and remove.
Trim panel (5) .....	pull off at bottom first, then at top and remove.
Clips (3 and 8) and clip bottom section (2 and 7) .	check before installing trim panels (1, 4 and 5) and replace mounting parts, if damaged.