

88-512 Removal and installation of hinge lever on trunk lid and soft top compartment cover

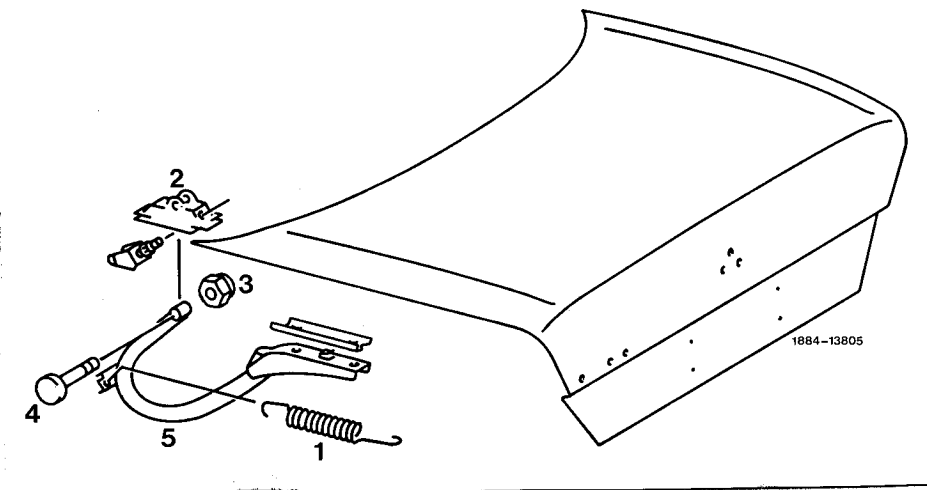
A. Sedan and coupe

(Hinge lever on trunk lid)

Preliminary work:

Trunk lid removed (88-500).

Parcel shelf removed (68-458).



Spring (1)	remove and install
Damping (2) above bearing bracket	release, glue in
Nut (3)	unscrew and screw on
Bolt (4)	remove and install
Hinge lever (5)	remove and install
Trunk lid	adjust (88-520)

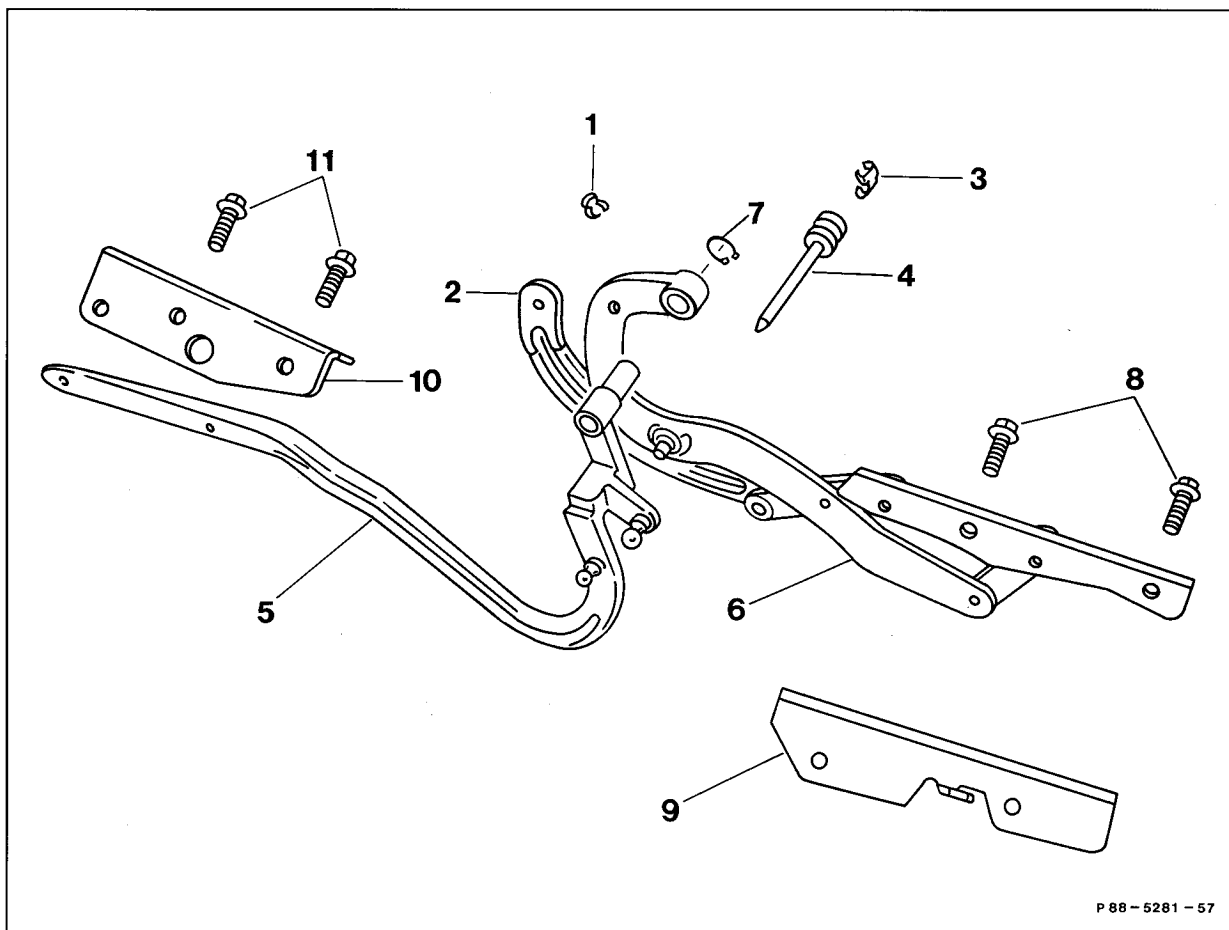
B. Cabriolet

(Hinge levers on trunk lid and soft top compartment cover)

Preliminary work:

Trunk lid removed (88-500).

Soft top compartment cover removed (88-600).



P 88-5281 - 57

- | | | | |
|---|---|-------|--------------------------|
| 1 | Lining in trunk and soft top compartment | | partially remove. |
| 2 | Cover (13), | | remove, |
| | for this purpose | | unscrew 2 screws (12) |
| | and lay wiring harness down in trunk. | | |
| 3 | Gas spring (14) for trunk lid and (15) for soft top | | unhook from hinge lever. |
| | compartment cover | | |
| | For this purpose unclip retainers on ball sockets. | | |
| 4 | Piston rod (16) of hydraulic cylinder for soft top | | unhook from hinge lever. |
| | compartment cover | | |
| | For this purpose unclip retainer on ball socket. | | |
| 5 | Retainer (1) on lever (2) | | remove. |
| 6 | Lever (2) | | unhook. |



- | | |
|--|--|
| 7 Retainer (3) on pin (4) | remove. |
| 8 Pin (4) | remove. |
| 9 Complete hinge lever | remove through trunk. |
| 10 Hinge lever (5) for soft top compartment cover
and hinge lever (6) for trunk lid | can be replaced separately after removing the
retainer (7). |
| 11 Reinstall | in opposite order. |

- 12 Screws
- 13 Cover
- 14 Gas spring (trunk lid)
- 15 Gas spring (soft top compartment cover)
- 16 Piston rod

