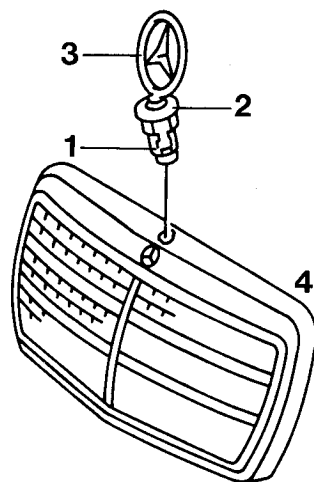


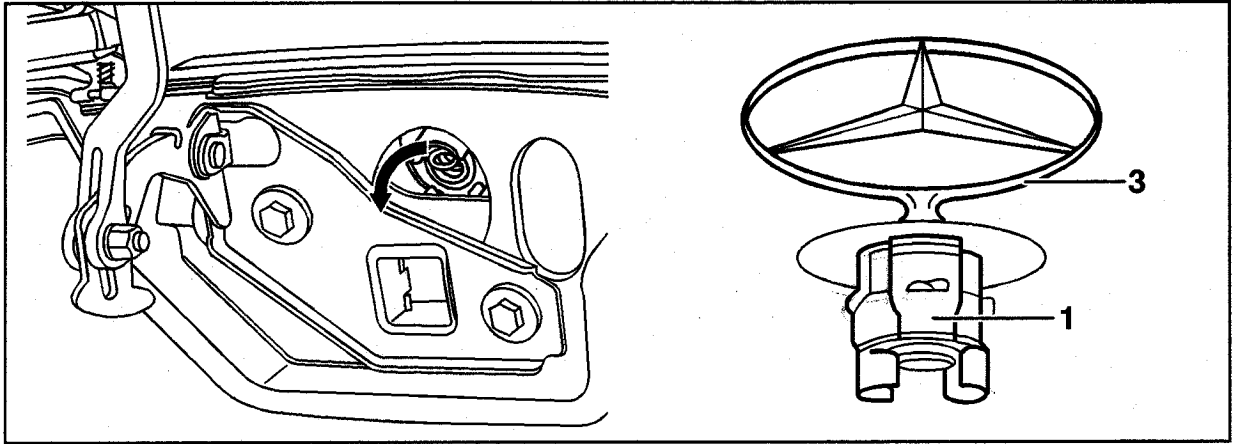
1st version (up to 06/93)



1884-13804

Engine hood	open.
Spring catch (1)	pull down with combination pliers and turn 90° to left.
Spring catch (1)	allow to catch in grooves in round cover plate (2).
Mercedes star (3)	pull upward completely out of radiator cowling (4).
Reinstall	in opposite order.

2nd version (as of 07/93)



P88-5351-53

Engine hood

Spring catch (1)

Mercedes star (3)

open.

turn 90° to left with flat pliers.

remove upward out of engine hood.

Note

Avoid damaging paint.

When installing observe correct installation position (lettering should be legible from front)

Reinstall

in opposite order.