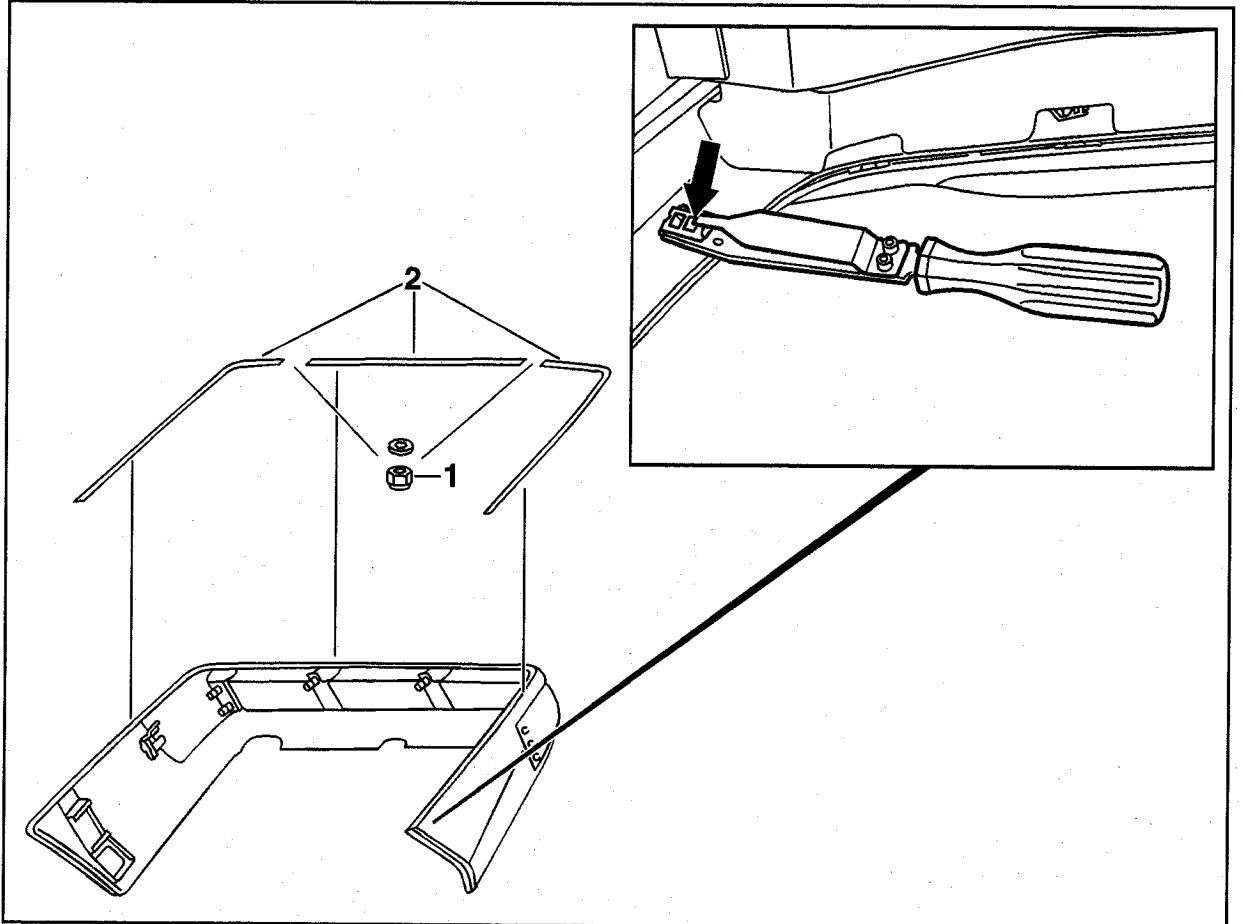


88-225 Removal and installation of molding on rear bumper

Preliminary work:
Bumper removed (88-220)

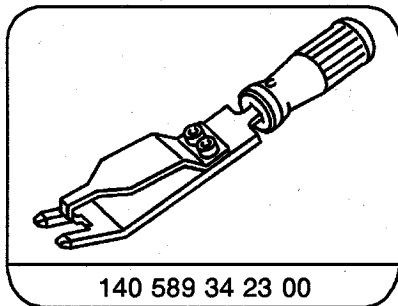
Operation no. of operation texts and work units or standard texts
and flat rates:



P88-5348-57

Nuts (1) at separation points on left and right	...	unscrew, screw on.
Clips (arrow, 24 each)	remove, install, installation tool 140 589 34 23 00.
Molding (2)	remove, install.

Special tool



88-225-225/1