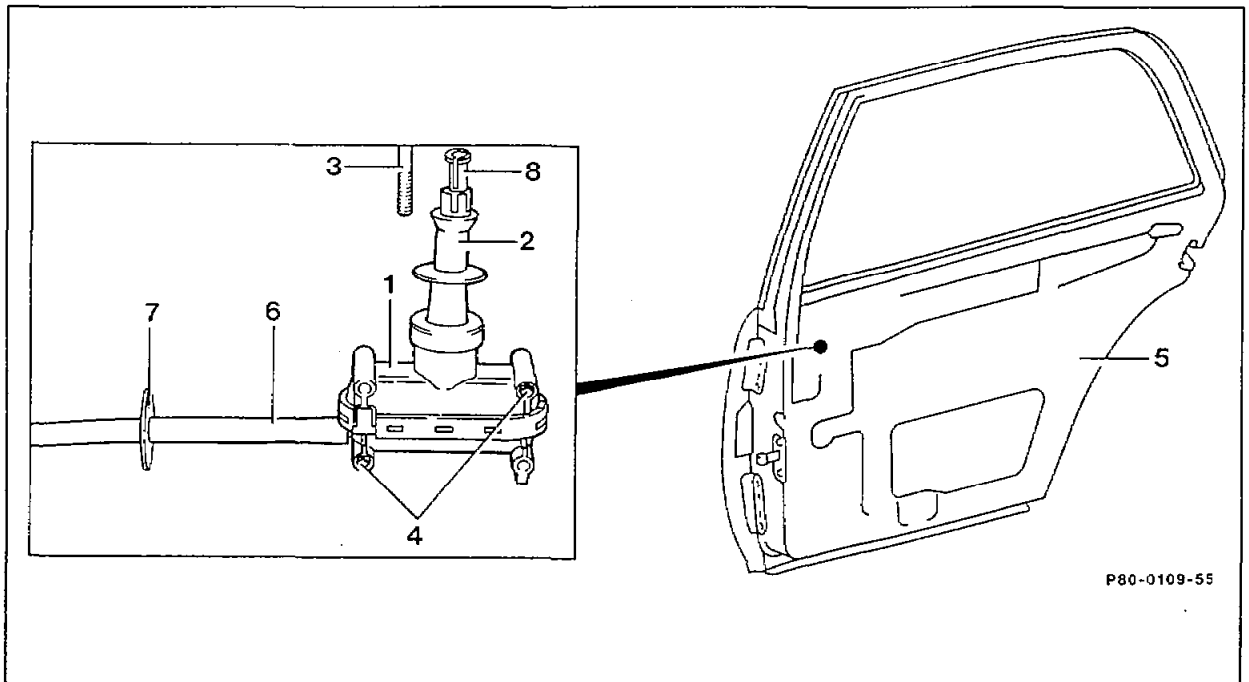


## 80-220 Removing and installing rear door actuator

Preceding operation:  
Checking central locking system for leaks (80-120)

Operation no. of operation texts and work units  
or standard texts and flat rates' . . . . . 80-0302, 80-0303



Door panelling (5) . . . . .	remove.
Plastic cover . . . . .	unclip, if necessary.
Sliding sleeve (2) . . . . .	push back.
Shift rod (3) . . . . .	press out.
Bolts (4) . . . . .	slacken.
Actuator (1) . . . . .	detach.
Connecting hose (6) . . . . .	disconnect.
Pneumatic function of actuator (1) . . . . .	check (80-116).
Actuator (1) . . . . .	move into installation position. Push sliding sleeve (2) back fully and withdraw shift rod mounting (8) as far as detent.
Actuator (1) . . . . .	install in reverse order.
Rubber disk (7) . . . . .	push up to opening for protective hose in rear door.