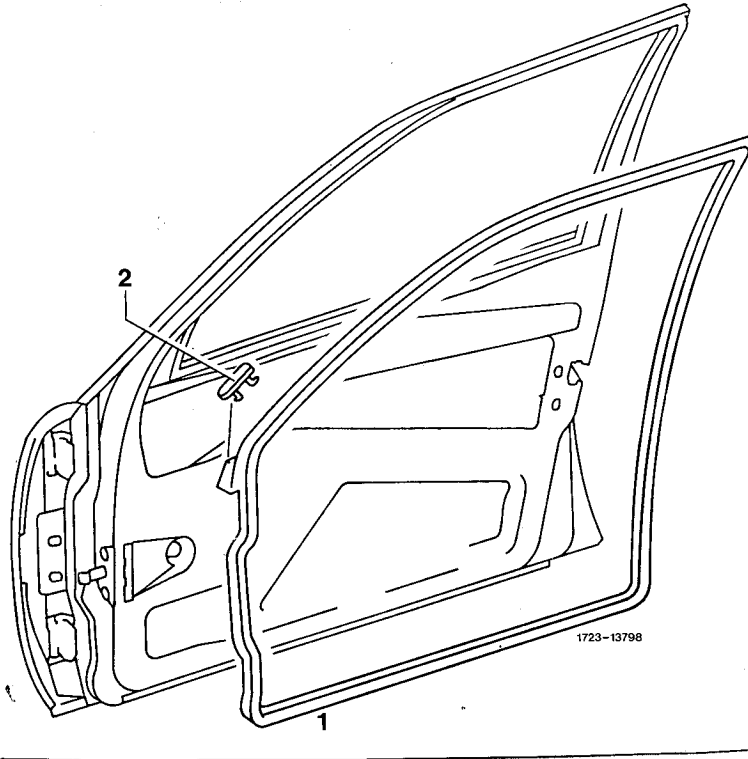


72-220 Removal and installation of sealing frame on driver's door or rear door



Clip (2)	push out, push in
Sealing frame (1)	pull out of door rebate. The sealing frame on rear door in range of door holder is located with 4 clips and additionally glued down. When the glue connection is loosened, use additionally a well ground plastic wedge or the like.
Pin on door holder	remove and install (72-210)
Sealing frame (1)	position at top and push in with plastic wedge to a precise fit