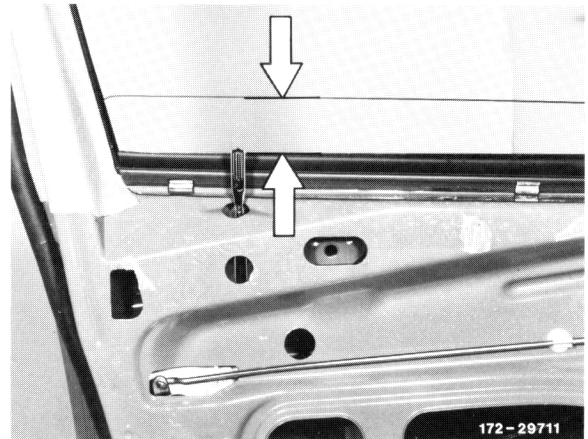


**A. Sedan**

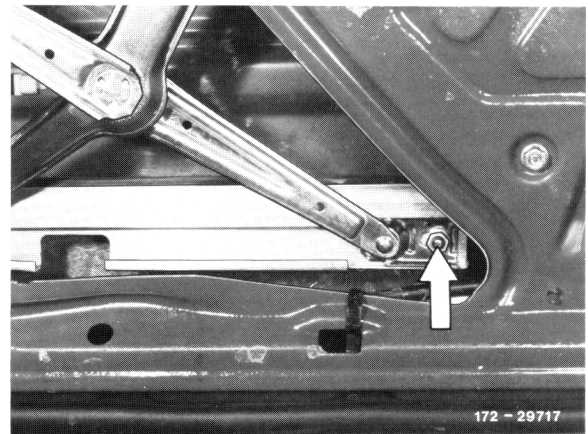
**Adjustment**

---

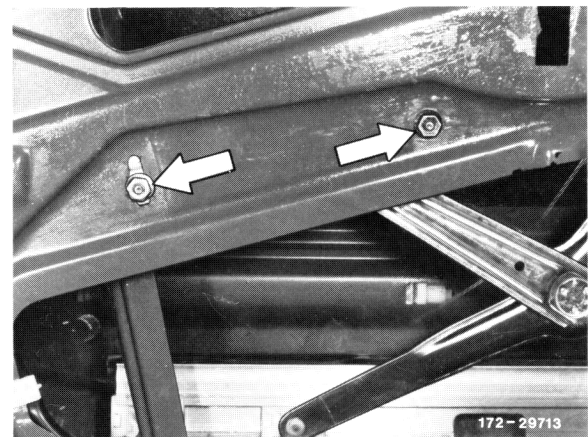
- 1 Remove door lining (72-100).
- 2 Loosen plastic foil in lower range.
- 3 Let window down to a height of approx. 40 mm.



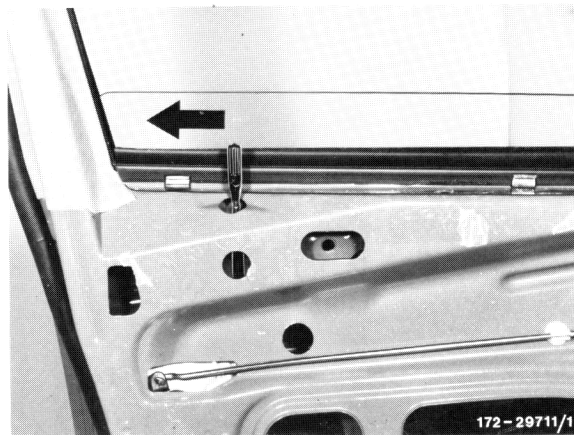
- 4 Loosen nut on window lifting arm, front.



- 5 Loosen both nuts on guide rail.



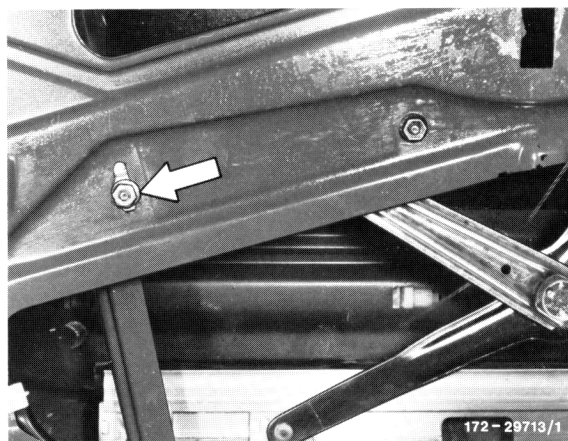
6 Push window at top into rear window running rail.



7 Push window below in forward direction into window running rail and tighten nut on window lifting arm.



8 Push rear nut on guide rail down and tighten.



9 Tighten front nut on guide rail.

10 Grease guide members.

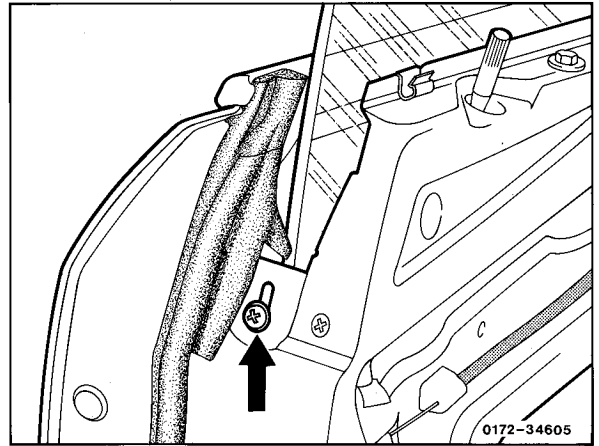
11 Check window for easy operation.

**Note:** If the plastic foil is damaged during release, replace and glue on with care.

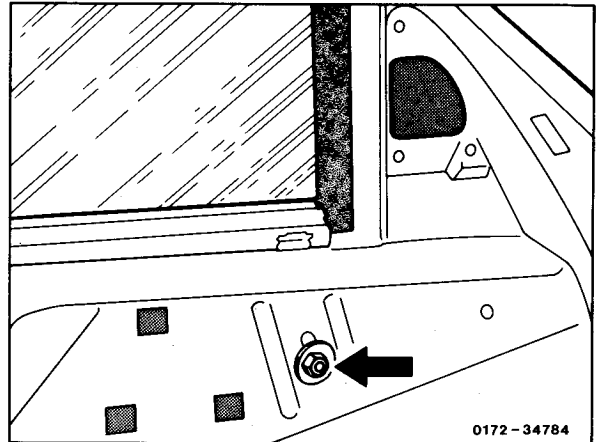


## B. Coupe and convertible

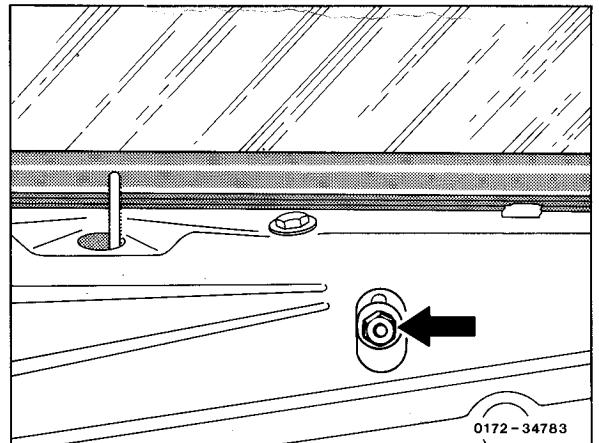
- 1 Remove door lining (72-100).
- 2 Pull off sealing foil on inside door plate.
- 3 Loosen screw (arrow) on guide wedge and move guide wedge down.



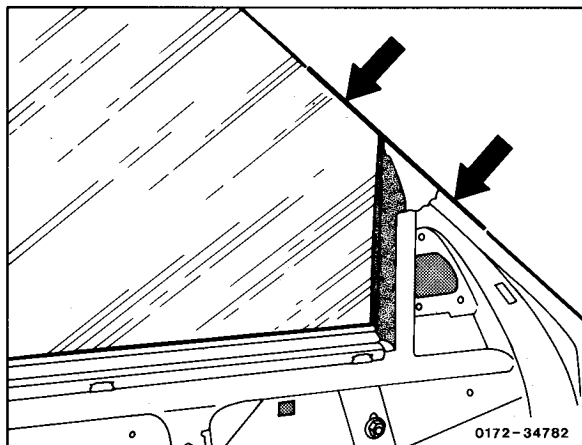
- 4 Loosen nut for upper angle stop, front.



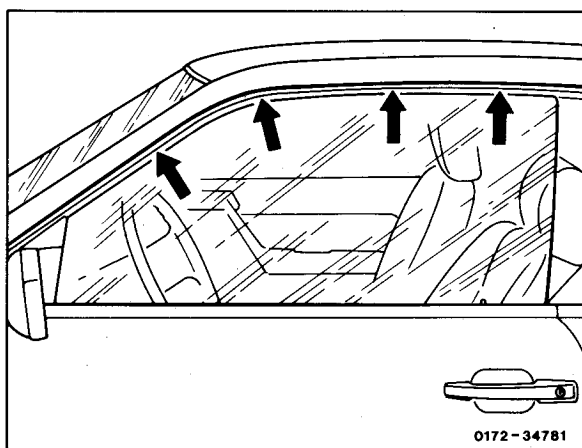
- 5 Loosen nut for upper angle stop, rear.



6 Close crank window until crank window is flush with front edge to guide holder.

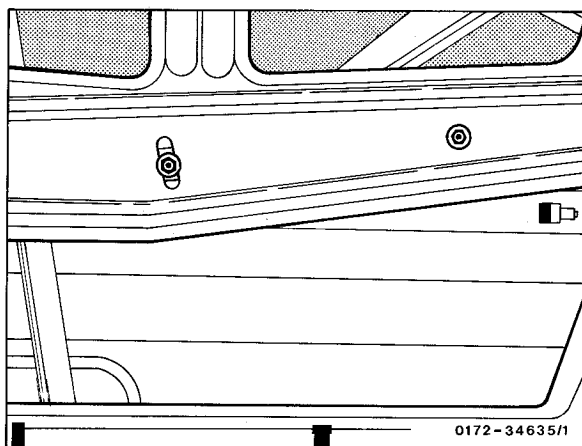


7 With window correctly adjusted, the upper edge of glass will touch the inner lip of sealing frame along entire length.

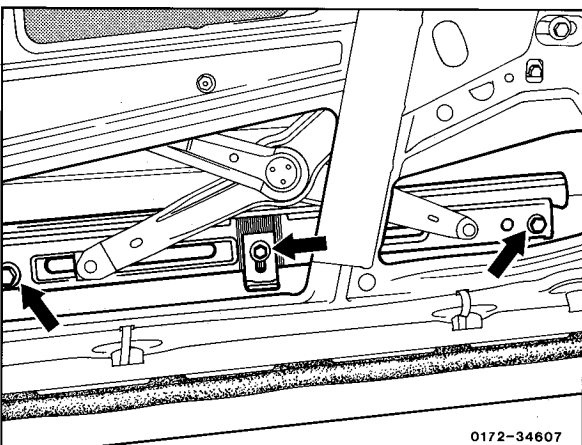


8 Tighten nuts on upper angle stops front and rear.

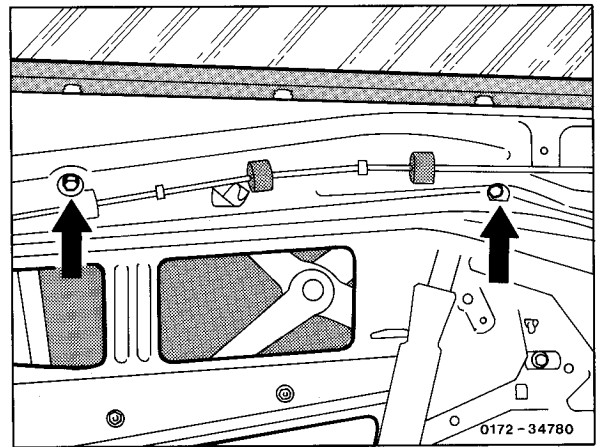
**Note:** A correction can be made by displacing rear screw on window lift guide rail and through front stop for upper lift restriction (refer to item 3).



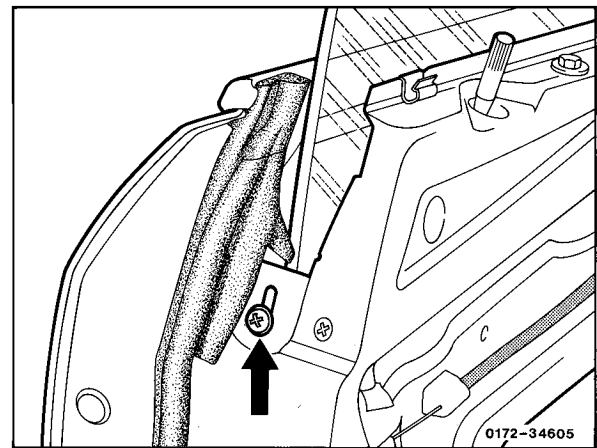
If required, the tilt and the longitudinal direction of crank window can be additionally corrected after loosening the three screws on window lifting rail.



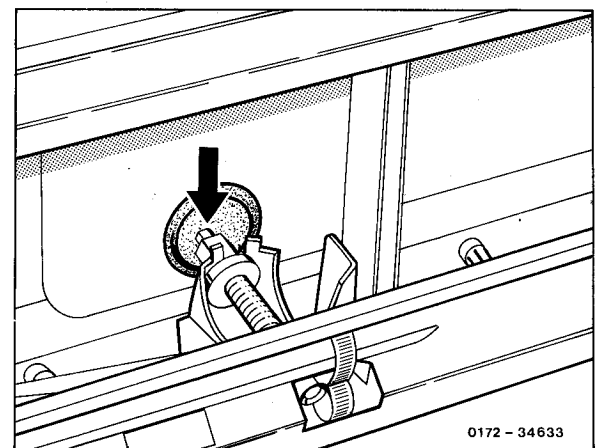
9 Tighten front and rear screw on window lifting rail.



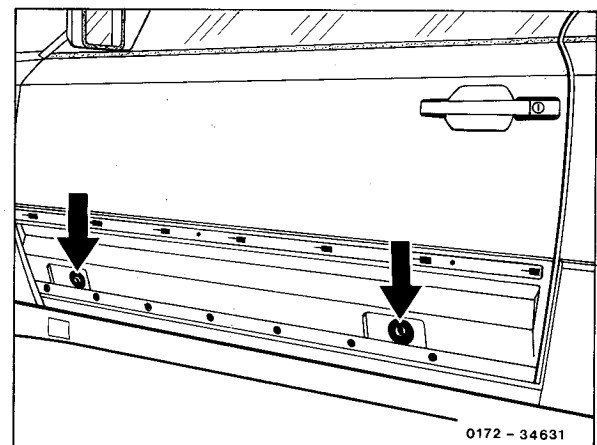
10 Close crank window and adjust rear guide wedge by sliding in oblong hole so that the rear edge of the window contacts the guide wedge.



11 Adjust lateral tilt (preload) of crank window in relation to sealing frame by means of adjusting screws on front and rear bearing bracket of vertical guide rail. For this purpose, remove trim outside on driver's door (88-800, section B).

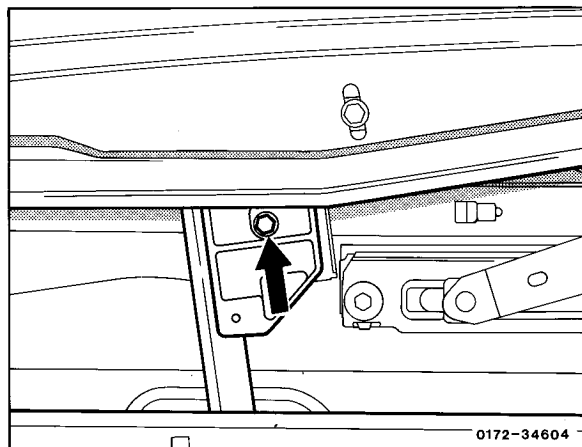


12 Remove rubber grommets and loosen nuts. Adjust crank window with both adjusting screws in such a manner that, with the window closed, the upper edge of window pane is just resting against sealing frame when the door engages in 1st detent of door lock.

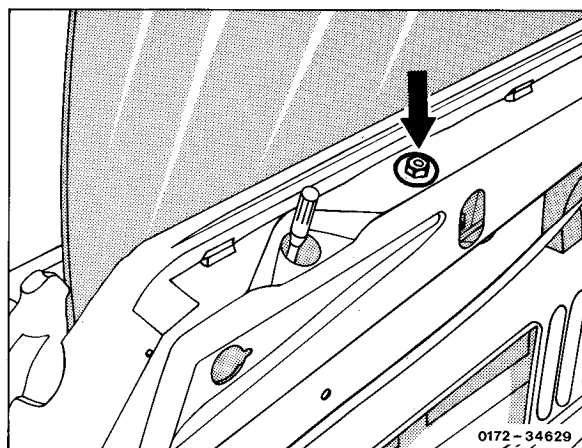


**Note:** If the adjustment of the lateral preload (initial tension) on bearing brackets of guide rail is no longer sufficient, additional adjustments can be made on guide shoes.

By sliding the guide shoes in upward direction, the preload will be increased, and will be reduced by sliding shoes downward.

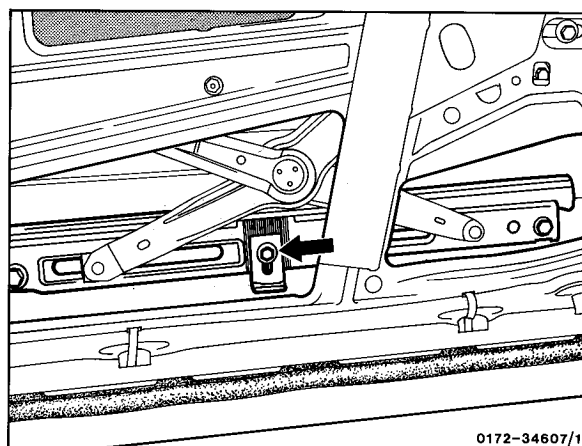
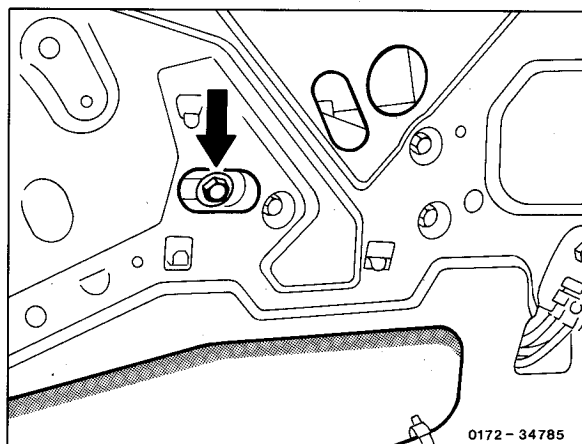


13 Adjust rear guide rail in slot in such a manner that the rear edge of the crank window abuts against sealing rubber of rear side window along entire length with door closed.



14 Adjust lower lift restriction with stop against window lift and on window lifting rail in such a manner that the upper edge of the window pane is flush with sealing rails.

15 Upon completion of adjusting jobs, grease all sliding surfaces on window guide rails with MB slide paste, part no. 000 989 31 51.



Stop on window lifting rail