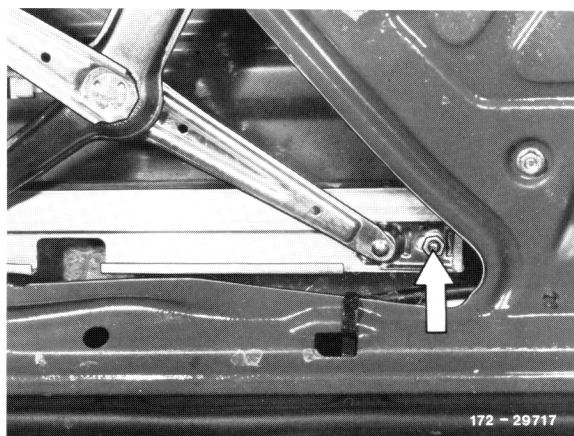
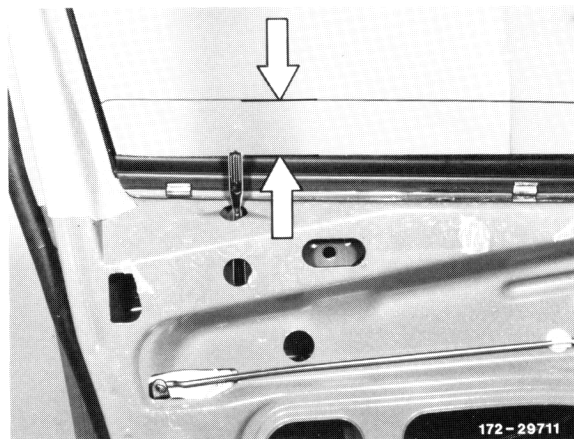


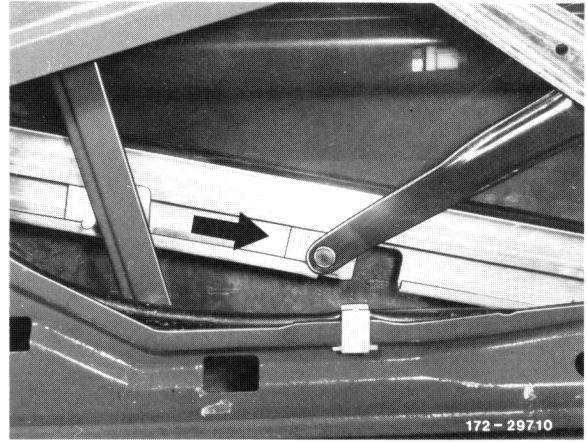
A. Sedan

Removal, installation

- 1 Remove door lining (72-100).
- 2 Remove plastic foil.
- 3 Let window run down until upper edge of window is still projecting approx. 20 mm on sealing strip.
- 4 Disconnect battery.
- 5 Loosen electric connections on cable connector.
- 6 Unscrew nut on window lifting rail front and disengage window lifting arm.



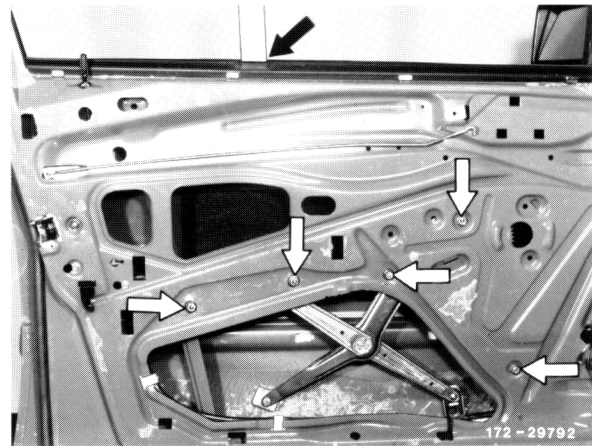
7 Lift window at the rear and extend slide shoes at cutout of window lifting rail.



8 Push window in upward direction and protect with plastic wedge against falling down.

9 Unscrew fastening nuts (5 each).

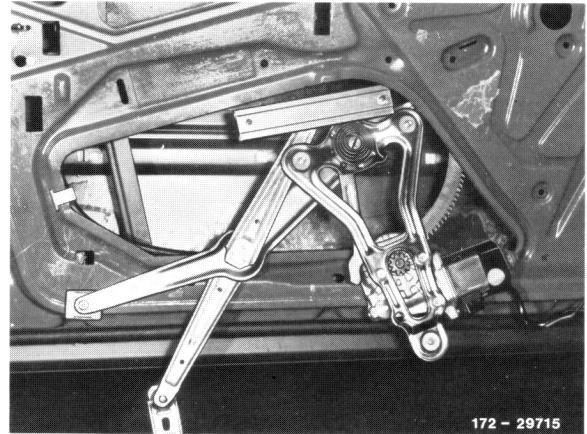
10 Remove window lift with motor and guide rail in downward direction.



11 Insert window lift with motor and guide rail in door inside plate and fasten.

Note: The screws for window lift are micro-encapsulated. They must be either replaced or screwed in with a screw locking compound.

12 Connect electrical connections of similar color on cable connector.



13 Run window down and run in with slide shoes of rear window lifting arm at cutout of window lifting rail. For this purpose, turn window at the rear in upward direction.

14 Set window to horizontal position, while introducing into window guide rail at rear and front.

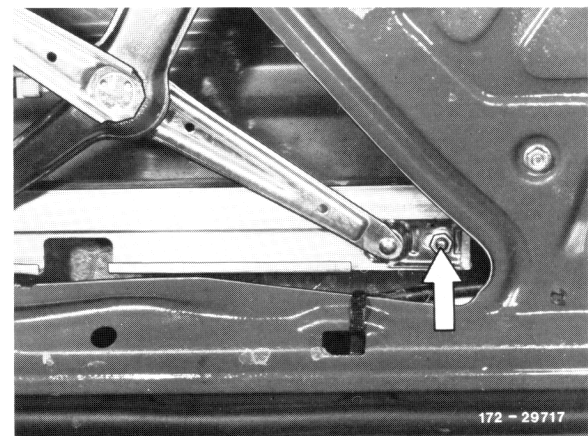


15 Insert front window lifting arm into window lifting rail and fasten.

16 For further installation proceed vice versa.

17 Adjust crank window prior to assembly of door lining (72-195).

Note: If the door foil is damaged during removal, replace and glue on carefully.



B. Coupe

Conventional tools

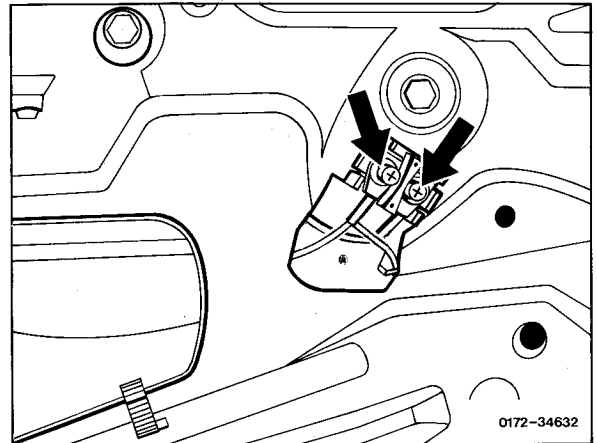
Lever riveting tool HN 1

e.g. Name of company, Order no.

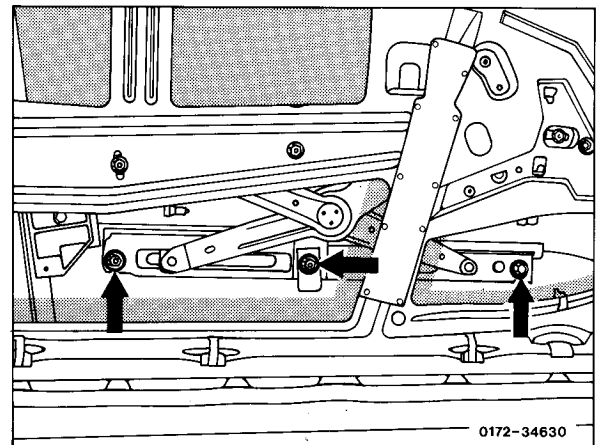
Gesipa-Blindniettechnik GmbH
Nordenstraße 13-39
D-6082 Mörfelden-Walldorf
7100019

Removal

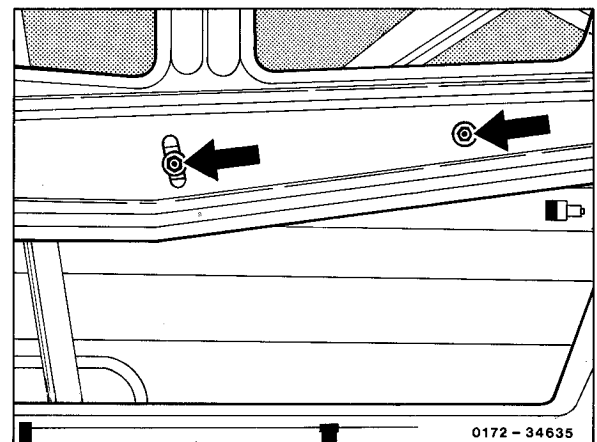
- 1 Remove door lining (72-100) and pull off sealing foil.
- 2 Open crank window until the screws on window lifting rail are accessible.
- 3 Disconnect battery.
- 4 Loosen electric connections on cable connector.



- 5 Unscrew screw on window lifting rail (3 each).
- 6 Push crank window in upward direction and secure with plastic wedge against falling down.

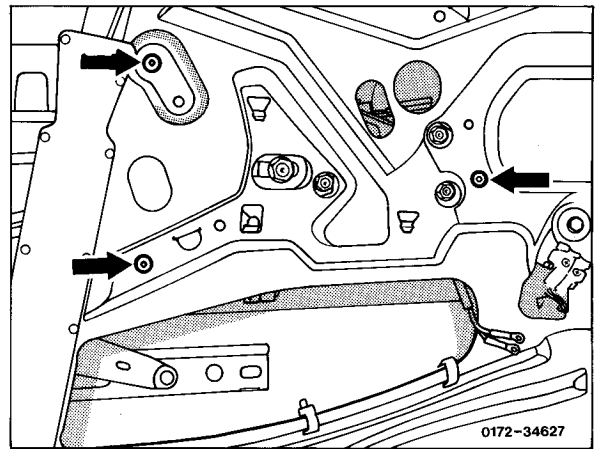


- 7 Unscrew nuts on guide rail.



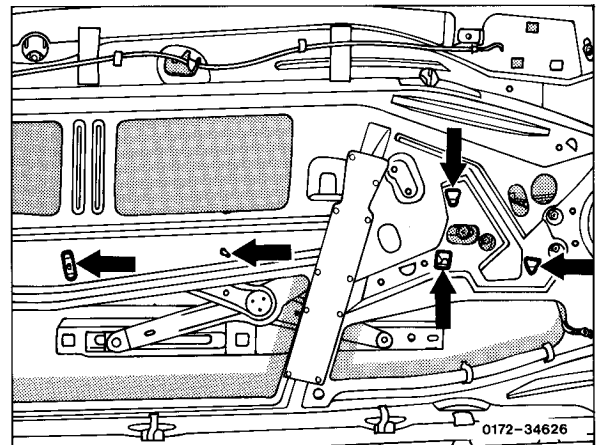
8 Bore out rivet head (3 each) on window lift, but do not drill through inside door plate (drill dia. 6 mm).

9 Remove window lift in downward direction.

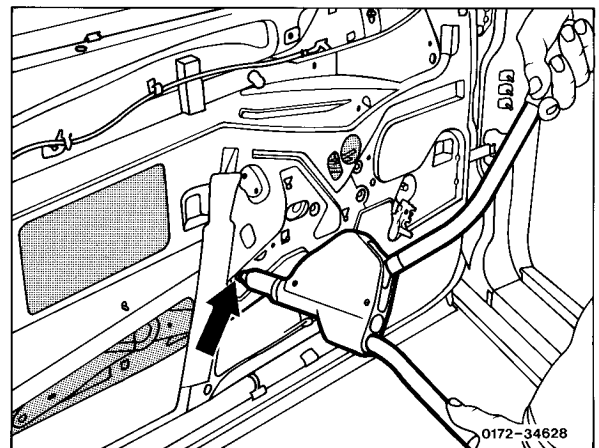


Installation

10 Engage window lift on inside door plate and introduce threaded bolt of guide rail.

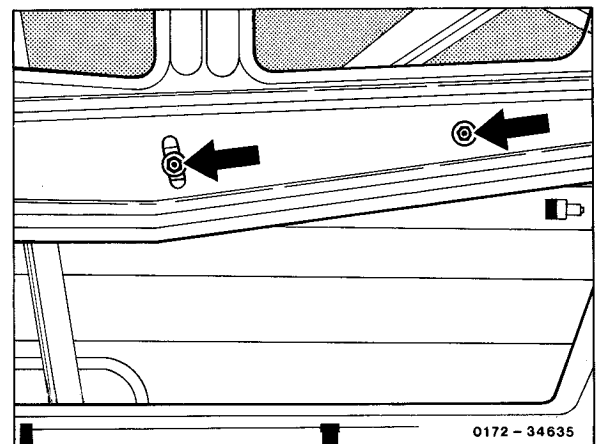


11 Rivet window lift to inside door plate with riveting tongs and blind rivet dia. 6 mm (3 each).



12 Fasten guide rail with nut (2 each).

13 Connect electric connections with identical numbers to cable connector.



13 Guide crank window in downward direction and fasten to window lifting arm.

14 Adjust crank window (72-195).

15 For further installation proceed vice versa.

Note: If the sealing foil is damaged during removal, replace foil and glue carefully to inside door plate.

