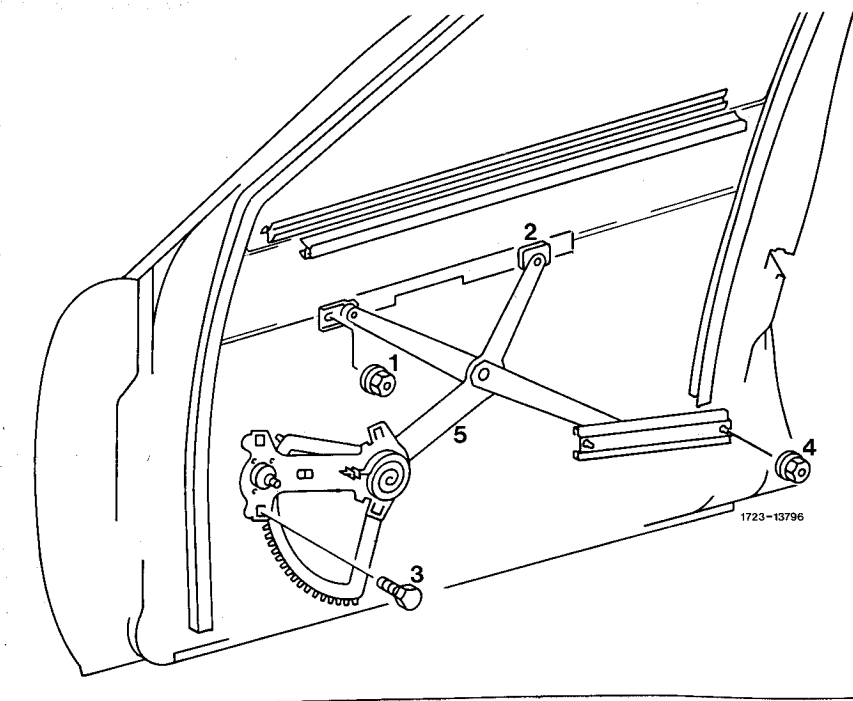


72-180 Removal and installation of window lift (power window) on driver's door

Door lining removed (72-100)



Plastic foil	remove
Nut (1) on window lifting rail	unscrew – screw in and disconnect window lifting arm (refer to installation note)
Window	lift at the rear and move slide shoes (2) at cutout of window lifting rail out and in
Window	push in upward direction and protect with wedge against falling down
Screw (3)	screw 4 each out – in
Nut (4)	screw 2 each out – in
Window lift (5)	remove and install

Adjust crank window prior to mounting door lining (72-195).

Installation note

The screws and nuts for window lift are micro-encapsulated. They must be replaced or screwed in with screw locking compound. If the door foil is damaged during removal, replace foil and carefully glue on.