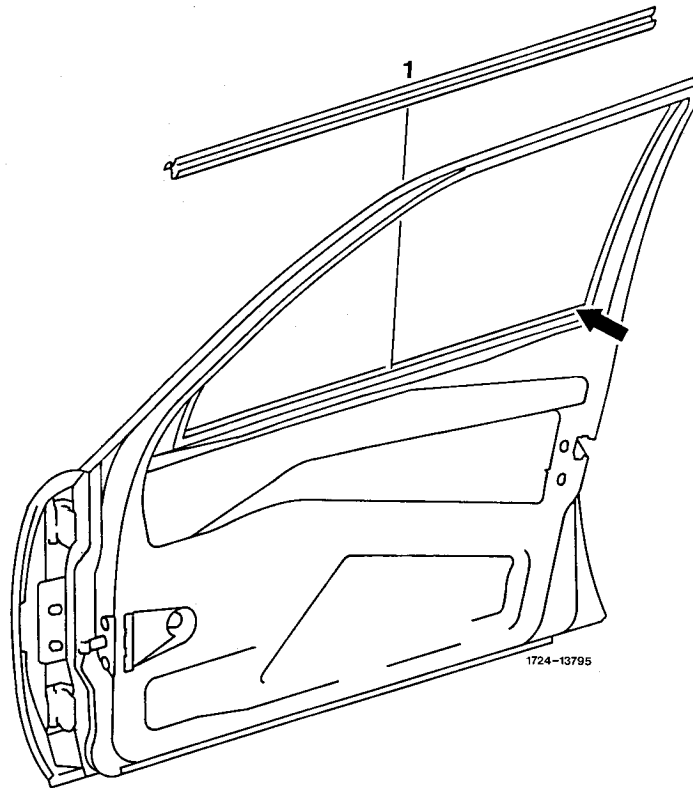


72-170 Removal and installation of outside sealing strip



Crank window	open.
Sealing strip (1)	press off of inside of door with plastic wedge (arrow) and pull out of holding strip
Sealing strip (1)	position flush at front and push into holding strip

Installation note

Before installing the sealing strip (1) apply soap and water solution to insert profile.