

## 72-100 Removal and installation of door lining on driver's door

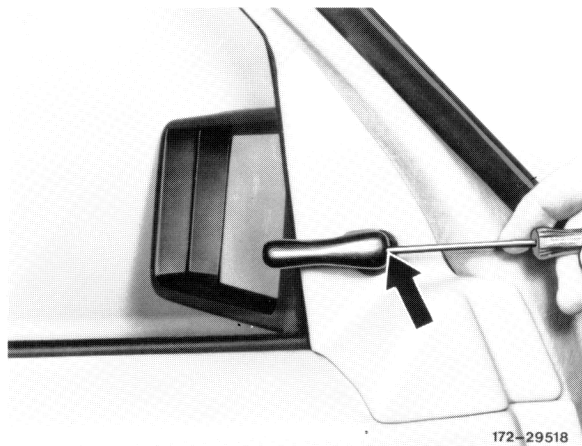
---

### A. Sedan

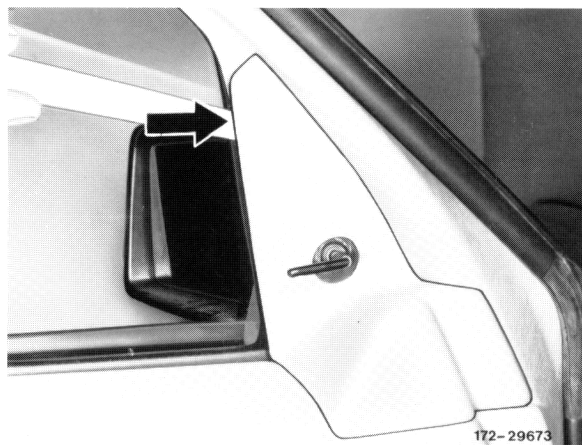
#### Removal

---

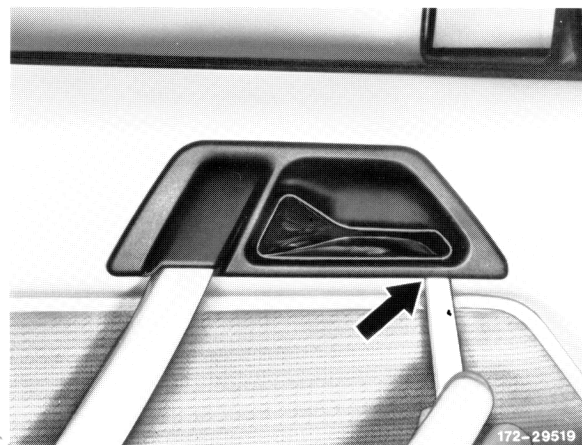
1 Push plastic lock with screwdriver out of handle and remove handle.



2 Unclip cover at top from door frame and pull out in upward direction.

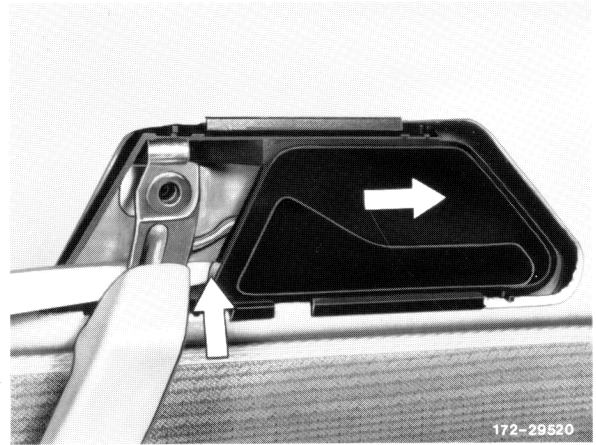


3 Force off molding on inside door actuation and turn out screw inside on handle.



4 Disengage linkage on door handle, push door inside actuation forward and remove.

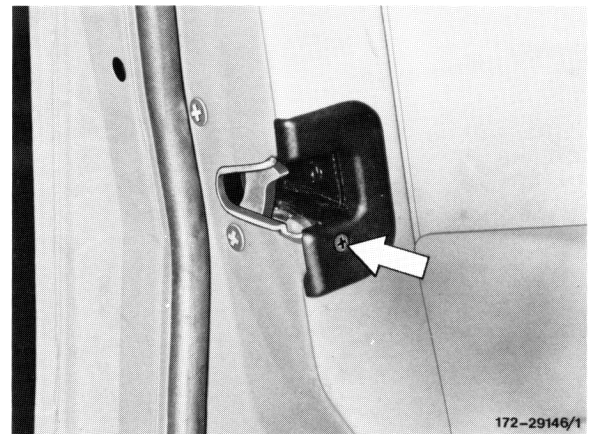
5 Move window downward and then remove window crank (72-110).



6 Remove bordering on door lock.

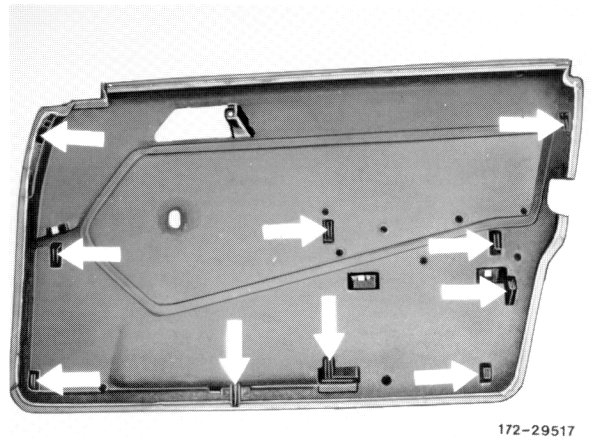
7 Push door lining upwards and remove.

**Note:** If the sealing foil on inner door plate is damaged, replace prior to installing door lining.



## Installation

8 Introduce door lining from above into plug clamps on window shaft with hooks into inside door plate, while inserting locking knob into door lining.

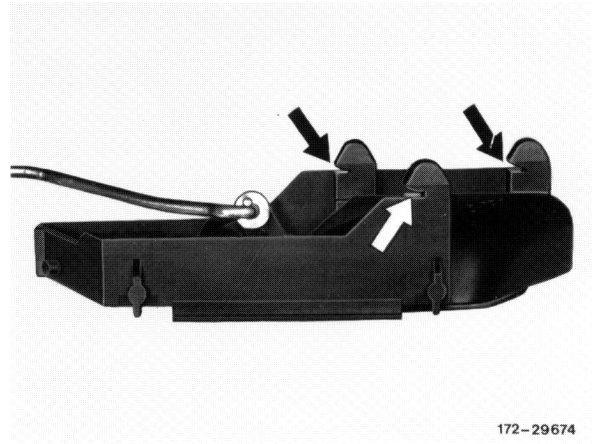


9 Engage linkage on door handle and insert door inside actuation on door inside plate (3 slots).

10 Fasten hand grip inside with screw.

**Note:** Screw on hand grip is micro-encapsulated. Either replace or screw in with screw locking compound.

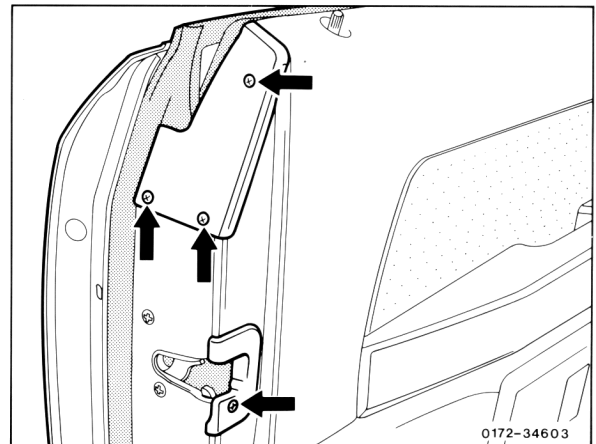
11 For further installation proceed vice versa.



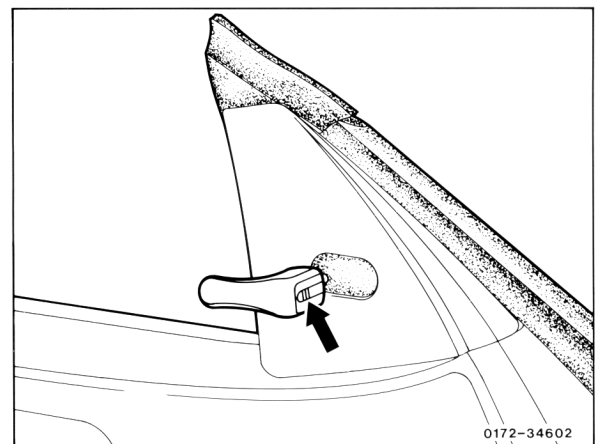
## B. Coupe

### Removal

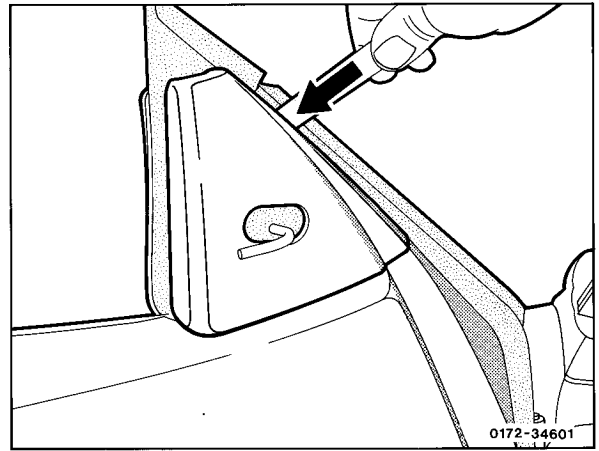
1 Unscrew cover molding and frame on door lock.



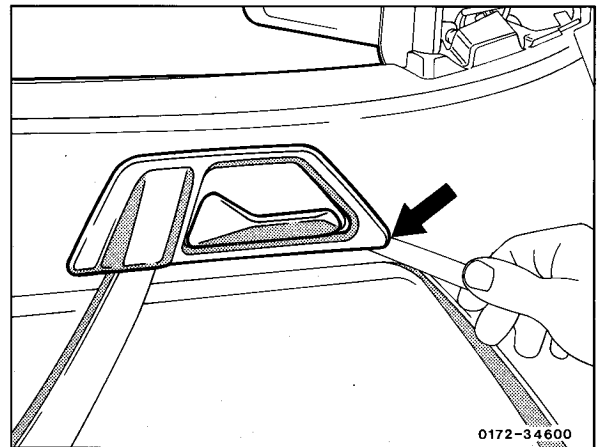
2 Push out plastic lock and remove handle.



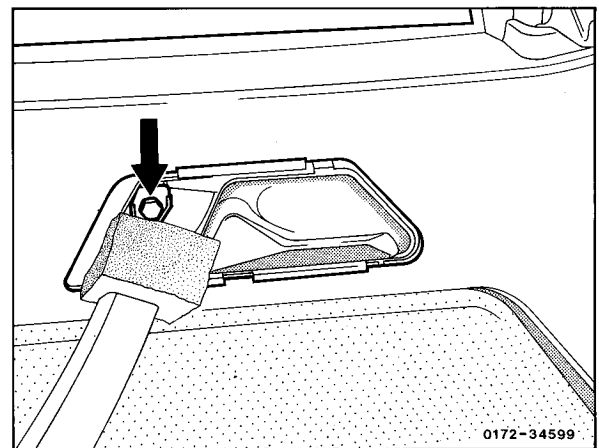
3 Remove covering on door frame from clips and pull out in upward direction.



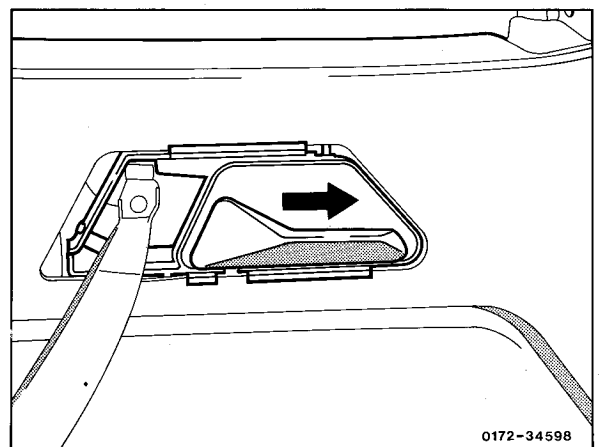
4 Force off molding on inside door actuation.



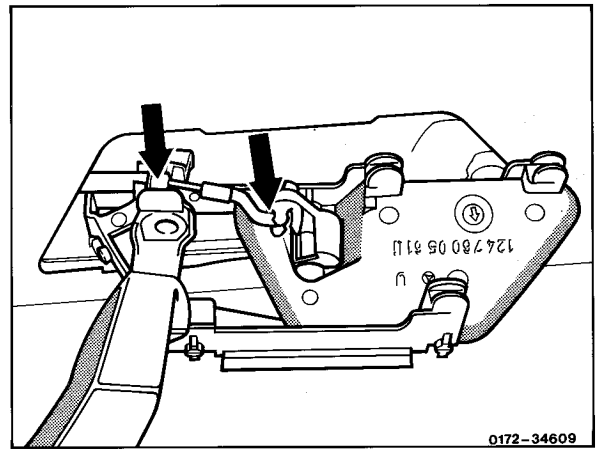
5 Partially pull out foam insert and unscrew screw located underneath.



6 Push housing of inside door opener forward and remove from inside door plate.

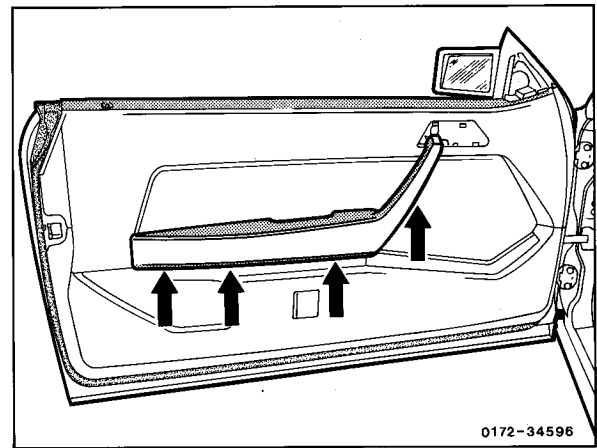


7 Disengage actuating puller on door opener and disengage housing, remove housing.



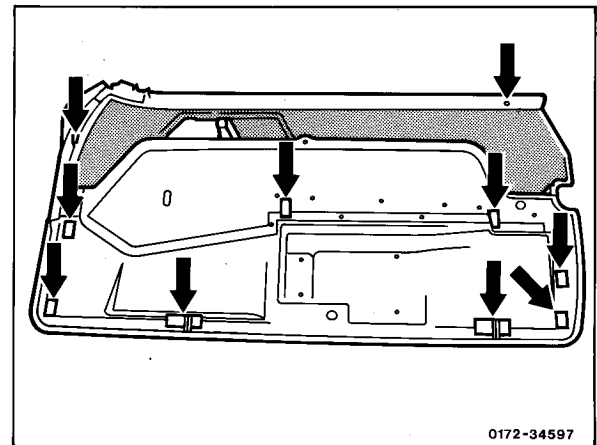
8 Push door lining in upward direction and remove.

**Note:** Door lining is not fastened with clip, but only plugged in. If the sealing foil on inside door plate is damaged, replace prior to installing door lining.



### Installation

9 Plug door lining from above into plug camps on window shaft while simultaneously inserting plastic hooks into inside door plate. Also insert locking button into door lining.



10 Engage actuating puller on inside door opener and insert housing on inside door plate (3 slots).

11 Fasten handle inside with screw and mount foam insert.

**Note:** The screw on top of hand grip is micro-encapsulated, either replace or screw in with screw locking compound.

12 For further installation proceed vice versa.

