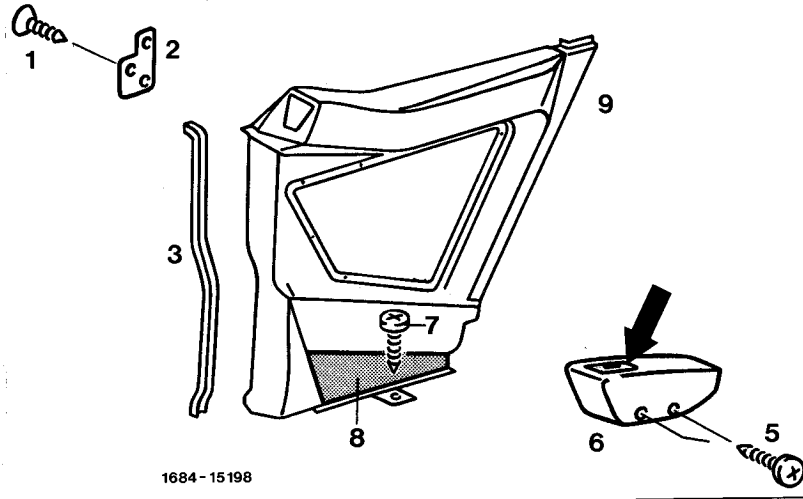


68-456 Removal and installation of side wall trim in rear passenger compartment

Preliminary work:
Rear seat cushion and rear backrest left or right removed
(91-170)

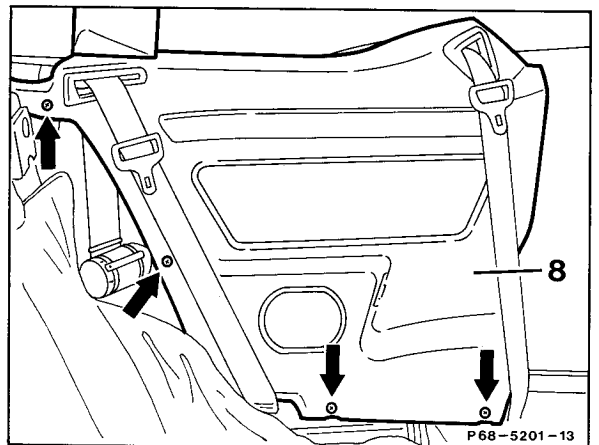
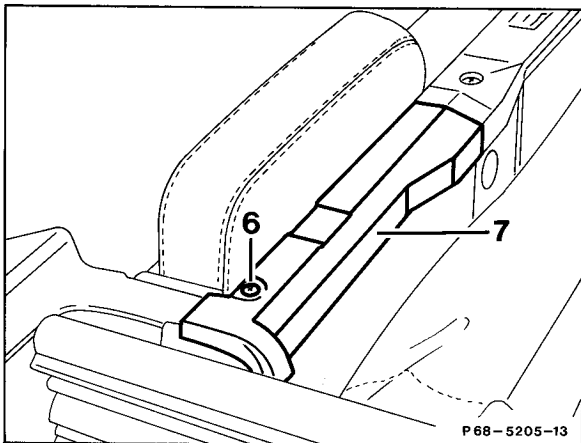
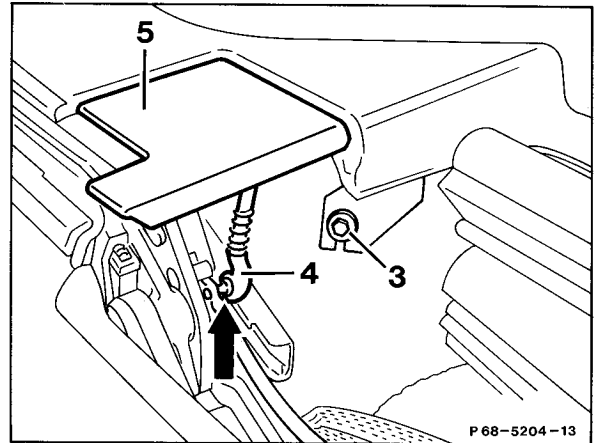
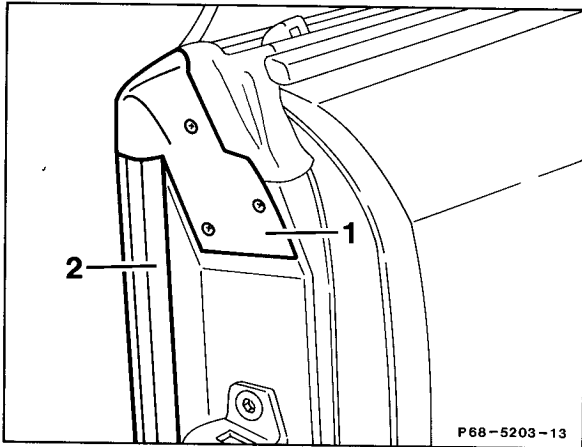
A. Coupe



1684-15198

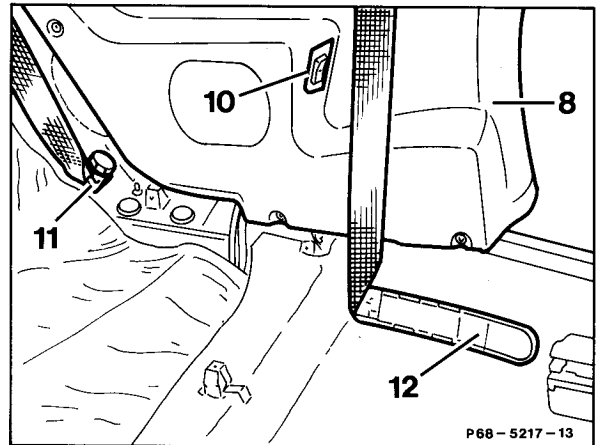
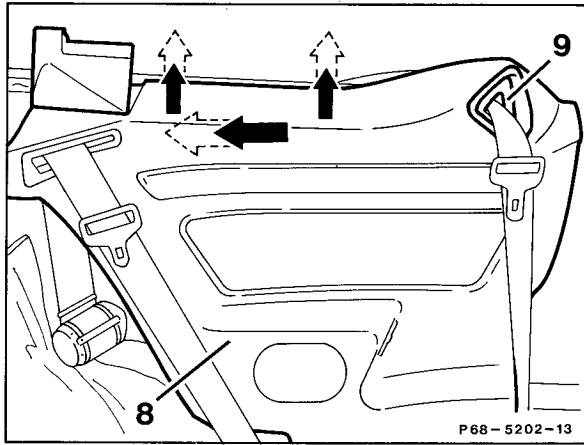
Rear side window	open
Screw (1)	3 each, unscrew
Molding (2)	remove
Chafing strip (3) on center pillar	pull off
Switch (arrow) for rear side window opener	remove from clips in upward direction and pull off connector
Screw (5) on armrest (6)	2 each, unscrew and remove armrest
Screw (7) on molding (8)	unscrew and remove molding (8). During installation, introduce the 4 plastic hooks into side wall trim.
Side wall trim (9)	pull out in upward and forward direction, 5 plug clamps
Belt end fitting on side member	unscrew and guide belt through side wall trim
Side wall trim (9)	remove

B. Convertible



Rear seat bench and rear backrest	remove, install (91-170).
Soft top compartment cover	open, close.
Chrome molding (1) on B-pillar	remove, install.
Edge protector (2) on B-pillar	remove, install.
Screw (3) in soft top compartment	screw out, screw in.
Linkage (4) for cover (5)	unhook on ball head (arrow), hook in.
Screw (6) on cover (7) above partition	screw out, screw in.
Cover (7)	remove, install.
Screws (arrows) on side wall panelling (8)	screw out, screw in (4 each).

456/2



Seat belt extender extend forward and pull off guide (9), install.

Side wall panelling (8) remove upward, install.

Note

To remove side wall panelling press and hold inner sealing rail and insert profile (4 clips)

Plug connector on rear window control switch (10) disconnect, connect.

Note

For complete removal of the side wall panelling (8) screw off the seat belt end fitting (11) for the rear seat belt on the rear floor as well as the swivelling fitting (12) for the driver's seat belt on the frame side member (35 Nm) and pull through side wall panelling (8).

Side wall panelling (8) remove, install.

Seat belt extender check for proper function.

456.3