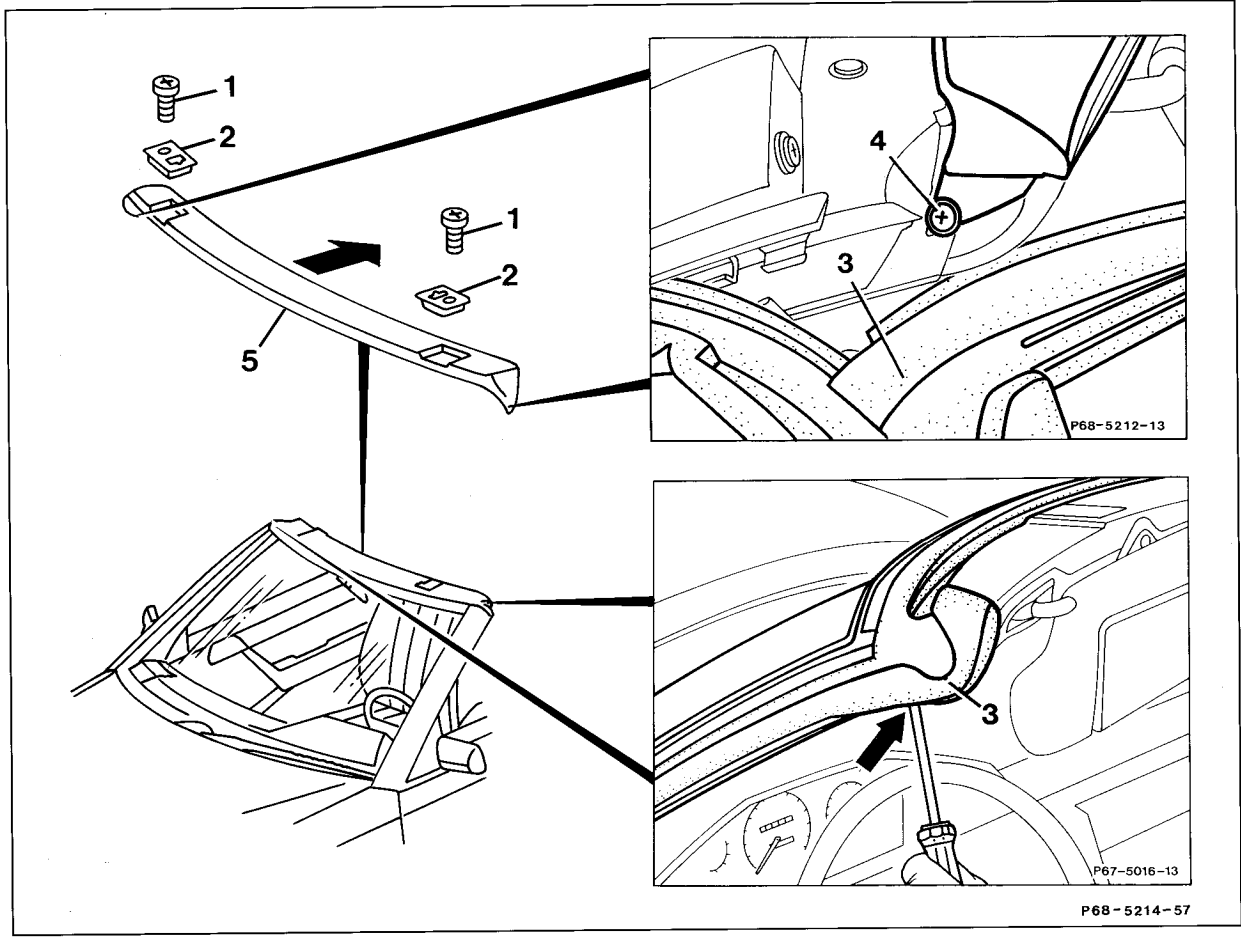


# 68-410 Removal and installation of panel above windshield (convertible)

**Preliminary work:**

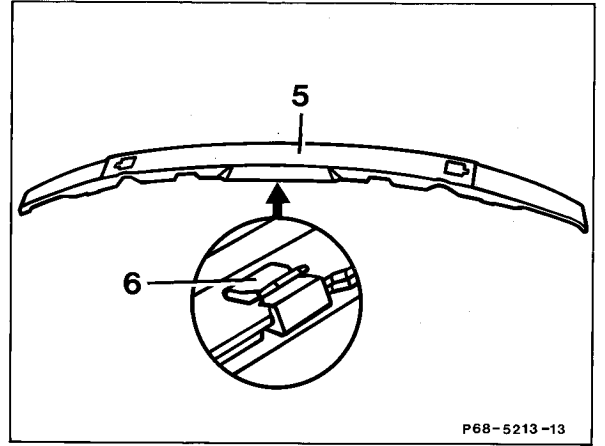
- Removal and installation of lever for lock actuation
- Removal and installation of sun visor and mounts
- Removal and installation of recess handle on lock actuation
- Removal and installation of roof control unit (plug connection not disconnected)



- |   |  |
|---|--|
| Screw (1) .....                                       | screw out, screw in.   |
| Cover (2) .....                                       | remove, install.   |
| Screw (arrow) for fastening cover (3) to A-pillar ... | screw out, screw in.   |
| Screw (4) on panel (5) .....                          | screw out, screw in.   |
| Reveal molding on left and right .....                | press downward slightly and remove panel (5) in direction of arrow, install. |

**Note**

Attach clip (6) before installing panel (5).



P68-5213-13