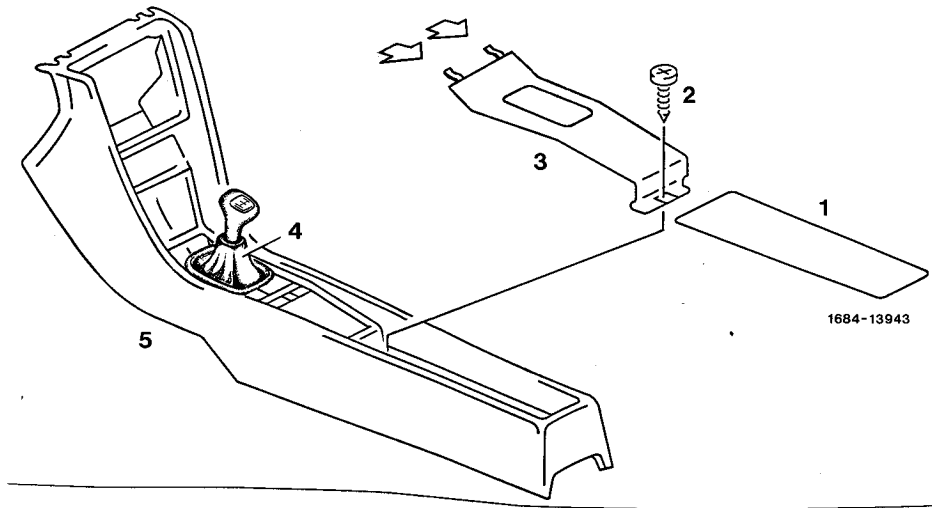


68-230 Removal and installation of cover on shift lever



Carpeting (1)	remove
Shift lever sleeve (4)	pull off
Screw (2)	unscrew
Cover (3)	lift at the rear, as well as at cutout of shift lever and remove toward the rear. During installation, pay attention to correct seat of holding cams (arrows).

For further installation proceed vice versa.

230/1