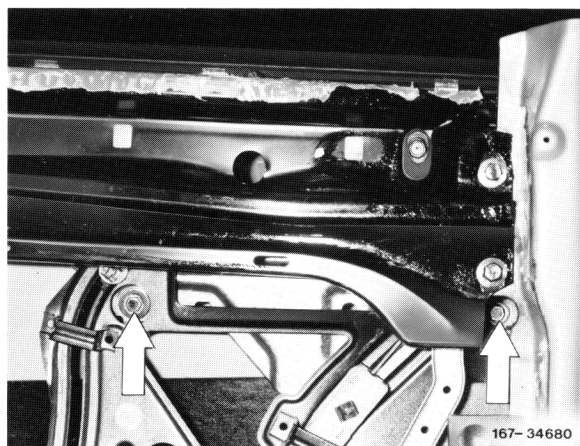


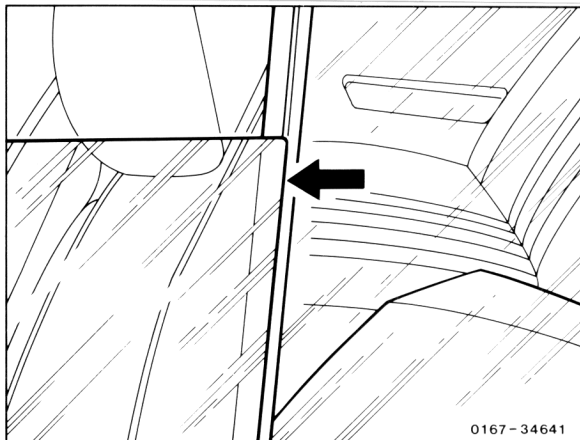
A. Coupe

Adjusting

- 1 Remove side wall panelling in rear passenger compartment (68-496).
- 2 Check adjustment of crank window on driver's door and adjust, if required (72-195).
- 3 Remove belt positioner (91-508) and loosen or disengage sealing foils.
- 4 Open rear side window to the extent that the screws of window lifting rail can be seen in assembly openings.
- 5 Loosen screws on window lifting rail.

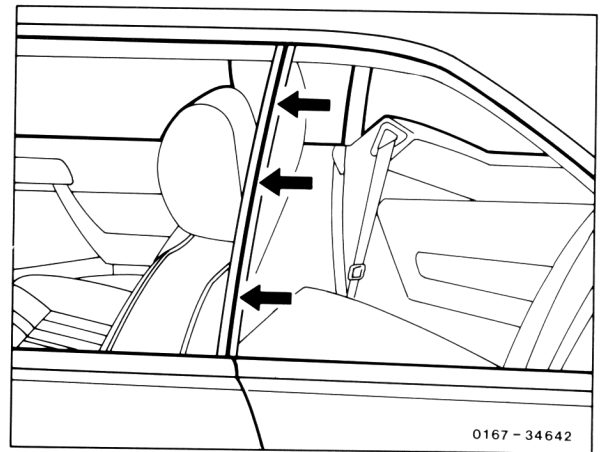


- 6 Adjust rear side window in longitudinal direction in such a manner that with windows closed, the window pane of the driver's door is resting in center of sealing strip groove.

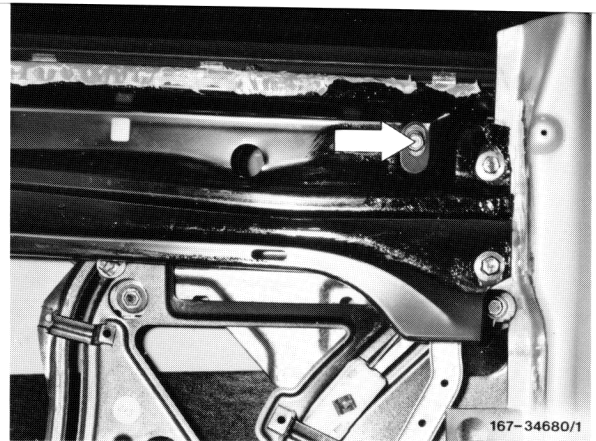


7 Adjust front edge of rear side window in such a manner that it is located in parallel with rear edge of driver's door crank window.

8 Tighten screws on window lifting rail.



9 Loosen screw at top on stop.

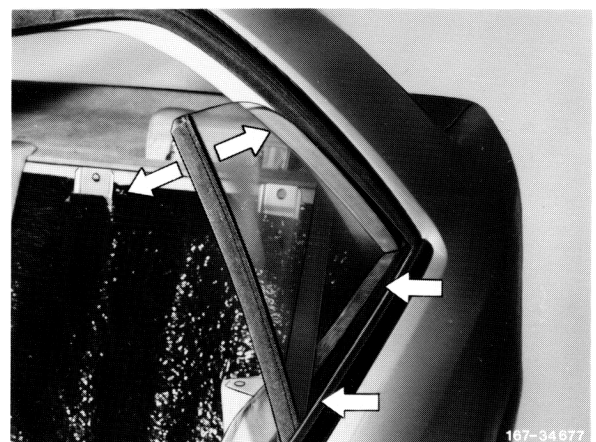


10 Adjust rear side window level in such a manner that with the side window closed, the upper glass edge rests against the sealing strip under a slight preload.

11 Tighten screw on upper stop.



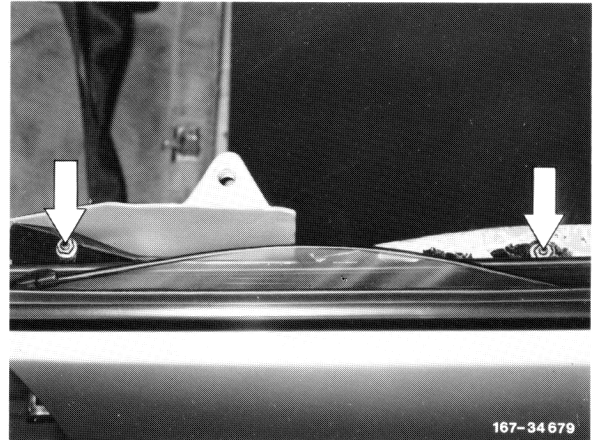
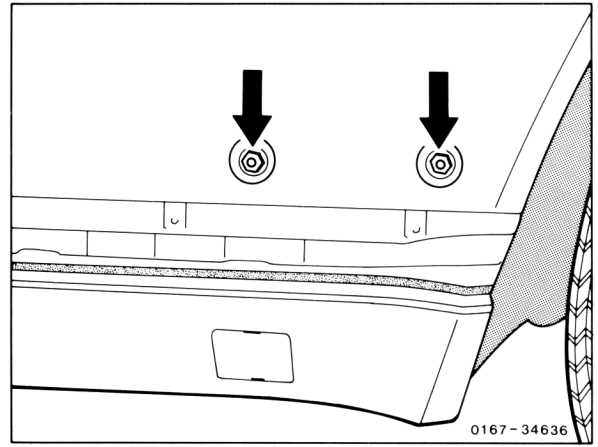
12 Check tilt of side window and parallel location in window shaft and adjust, if required. For this purpose, remove panelling on rear fender (88-800) and remove rubber grommet.



13 Loosen nuts and adjust side window by turning adjusting screws (WAF 5.5) in such a manner that it will run in parallel out of window shaft into sealing strip.

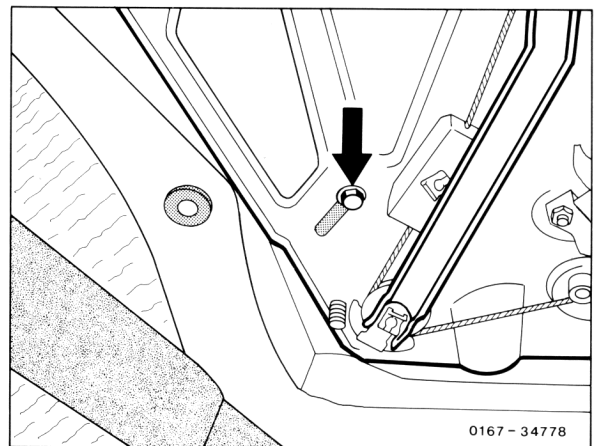
Turning to the right increases rear side window tilt further inwards and turning to the left further outwards.

14 Tighten nuts on adjustment screws and close openings in rear fender with rubber grommets.



Additional possible adjustments of window tilt at upper mounting nuts of window lift

15 Loosen screw at lower stop, removing holding plate below and plastic partition for this purpose.

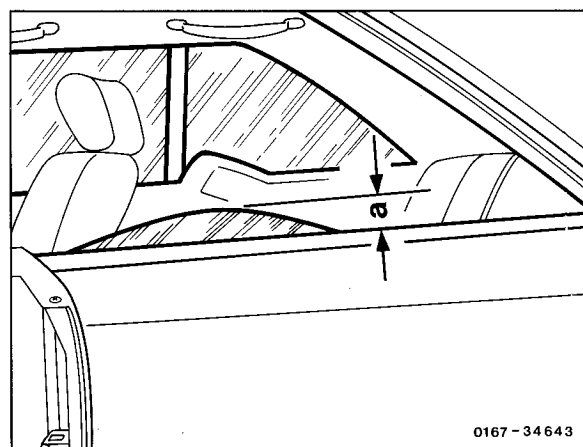


16 Adjust rear side window in such a manner that, with the window opened, the window pane will project outside approx. 30 mm from rubber lip of sealing strip (dimension "a").

17 Tighten screw on lower stop.

18 For further installation proceed vice versa.

19 Renew damaged sealing foil and glue down carefully.



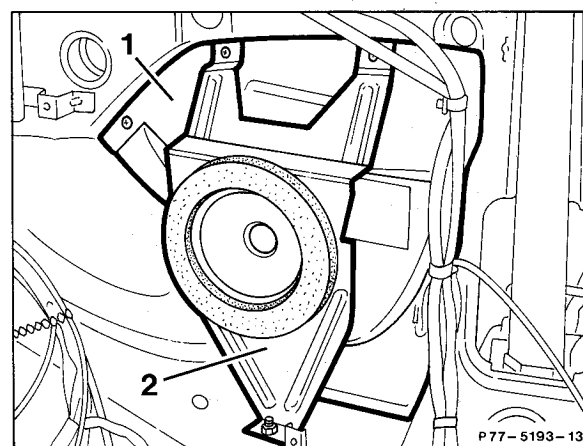
B. Convertible

Adjustment

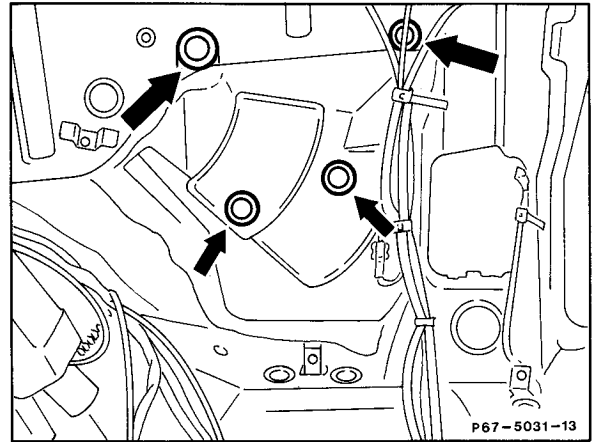
1 Remove side wall panelling in rear passenger compartment (68-456), do not screw out end fittings for seat belts.

2 Check adjustment of crank window on driver's door, adjust, if required (72-195).

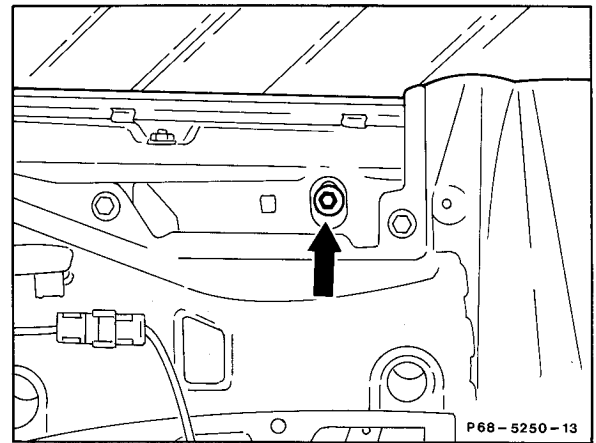
3 Remove rear loudspeaker with bracket (2).



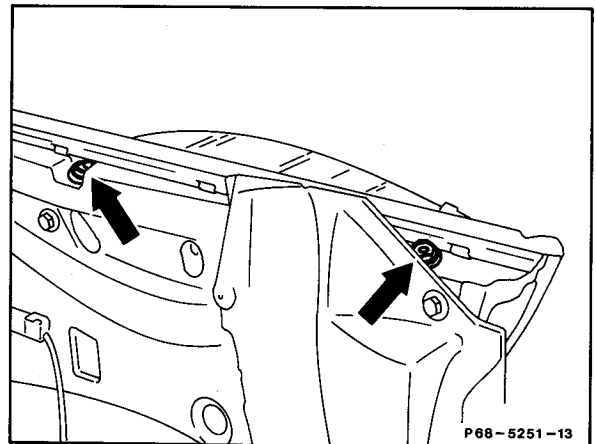
4 Remove rubber grommets (4 each, arrow).



5 Preliminarily adjust top stop with screws (arrows) so that approx. 2 mm of the oblong hole is visible above the screw head (basic adjustment).

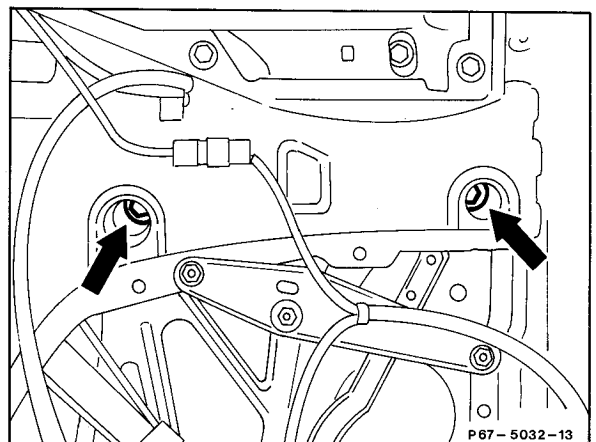


6 Loosen nuts (arrows) on top window lift and preliminarily set window lift to center of oblong holes (basic adjustment).

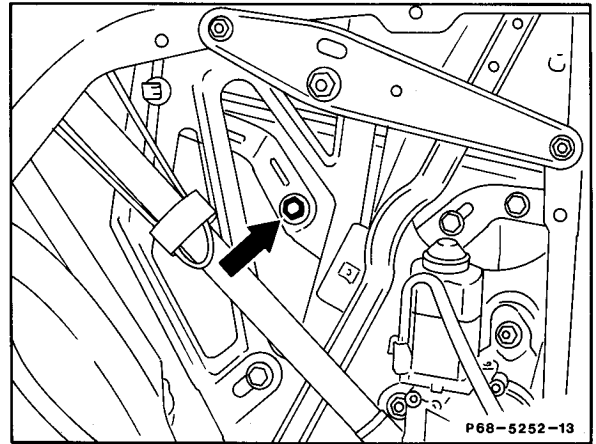


7 Open side window until the outer screws for the window lifting rail are visible through the assembly holes.

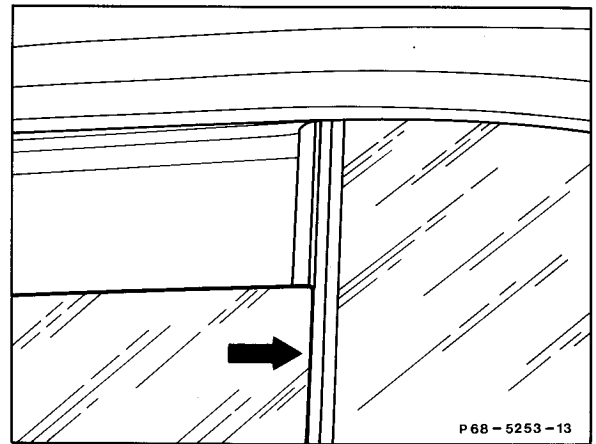
8 Loosen screws on window lifting rail.



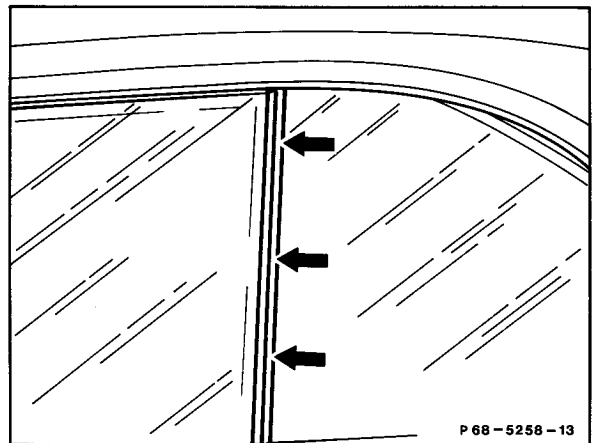
9 Continue to open rear side window until the third screw (arrow) on the window lifting rail is also visible. Then loosen screw.



10 Adjust rear side window in longitudinal direction so that the rear edge of the window in the driver's door is located in the center of the groove (arrow) in the sealing profile on the rear side window when the windows are closed.

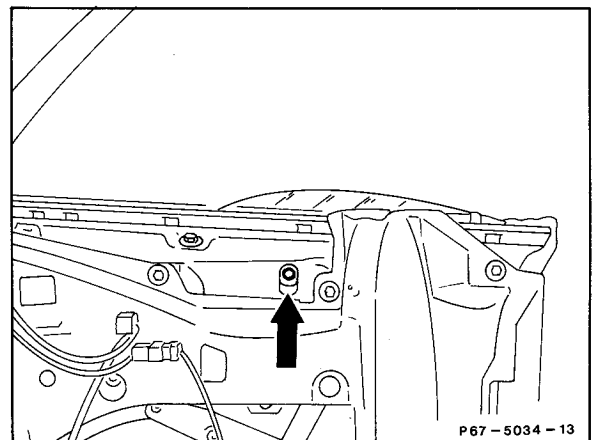


11 Adjust front edge of rear side window so that it runs parallel to the rear edge of the crank window in the driver's door.



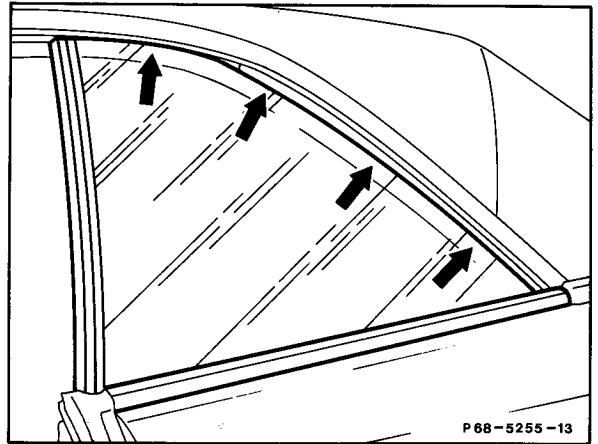
12 Tighten screws on window lifting rail (3 each).

13 Loosen screw on top stop.

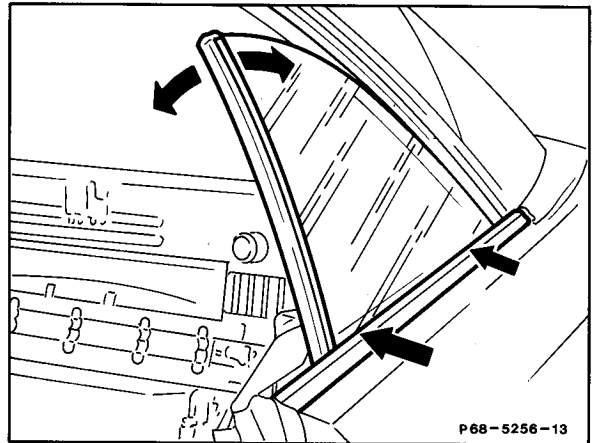


14 Adjust height of rear side window so that the top edge of the glass contacts the sealing profile with slight tension when the side window is closed.

15 Tighten screw on top stop.



16 Check tilt of side window and ensure that side window is parallel in side window shaft, adjust, if required. For this purpose remove panelling on rear fender (88-800 Section B) and rubber grommet.

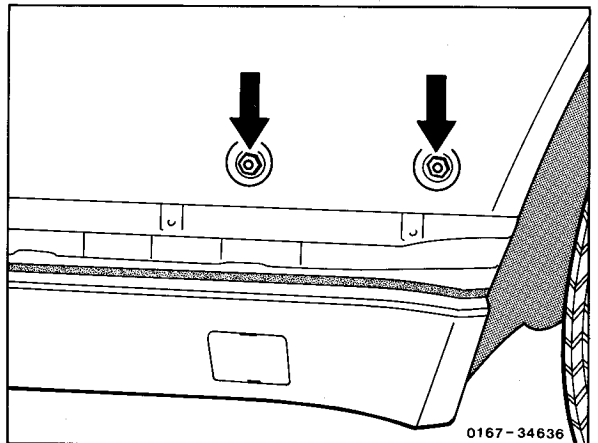


17 Loosen nut and adjust side window by turning adjustment screw (WAF 5.5) so that it runs out of the window shaft and into the sealing profile parallel.

Note

Turning to the right tips the rear window further to the inside, turning to the left tips the rear side window further to the outside.

18 Tighten nuts on adjustment screws and close openings in rear fender with rubber grommets.



Additional adjustment possibility for window tilt on top mounting nuts for window lift.

19 Check contour of rear side window in relation to window in driver's door.

Note

The window in the driver's door should be flush with the vertical trim strip on the rear side window.

20 Open window in driver's door and rear side window.

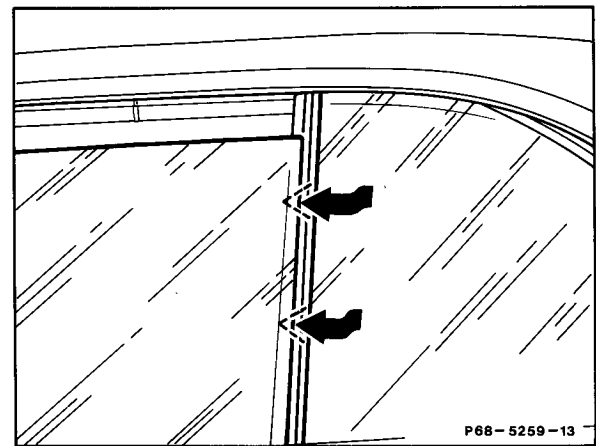
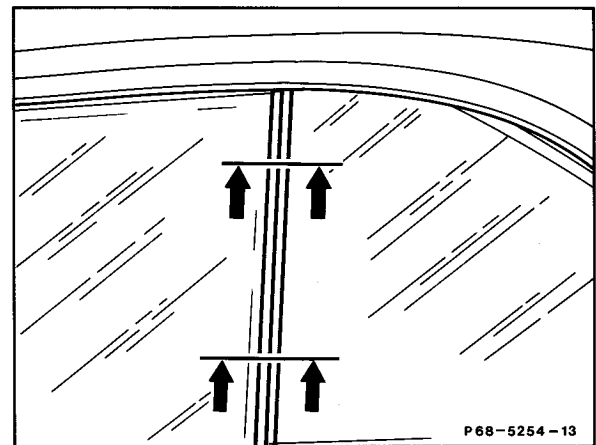
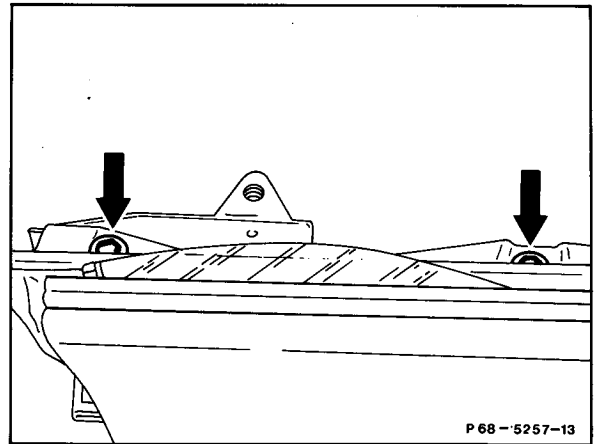
21 Close window in driver's door leaving a gap of 50 mm.

22 Close rear side window and check whether sealing profile in rear side window runs **below** the edge of the glass on the window in the driver's door (arrows).

23 If required correct by adjusting tilt of rear side window.

24 Open soft top.

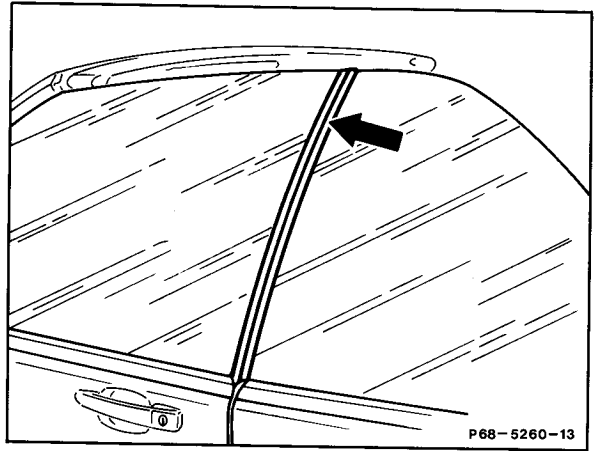
25 Close both side windows.



26 Check position of rear side window in relation to window in driver's door, adjust, if required.

Note

The sealing profile must contact the window in the driver's door over the entire length.

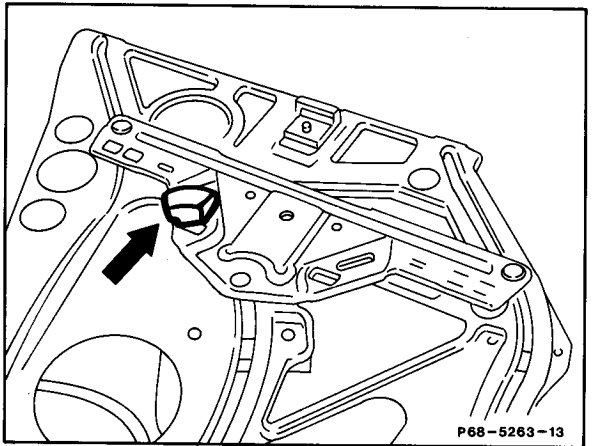
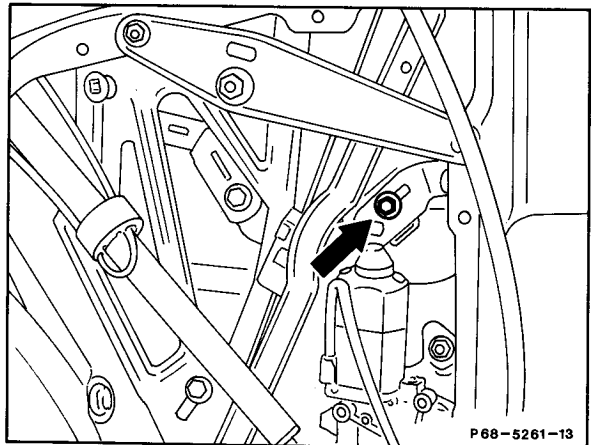


27 Loosen screw (arrow) on starting wedge after rolling rear side window down.

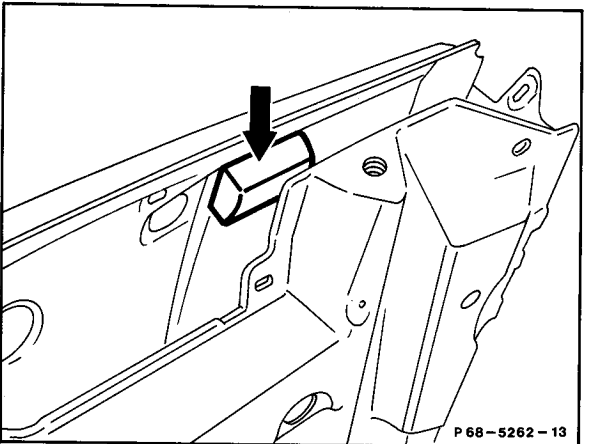
28 Adjust starting wedge.

Installation note

Moving the starting wedge upward increases the tilt toward the outside.

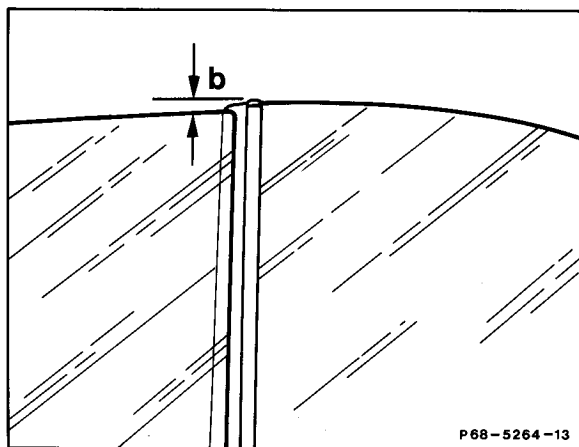


Arrow = starting wedge on rear window lift (adjustable)



Arrow = starting wedge in rear side wall (clipped in)

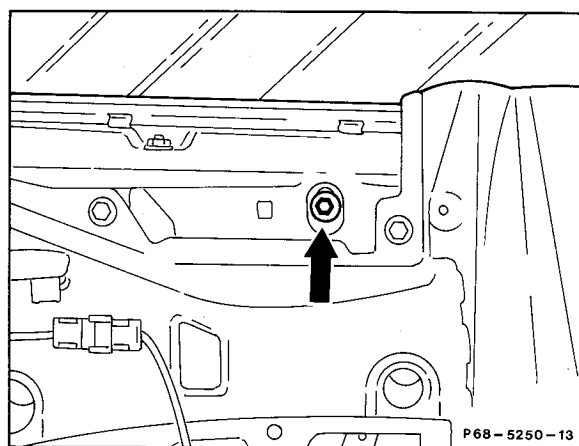
29 Check overlap of rear side window on window in driver's door, adjust, if required. Dimension $b = 2 \text{ mm}$



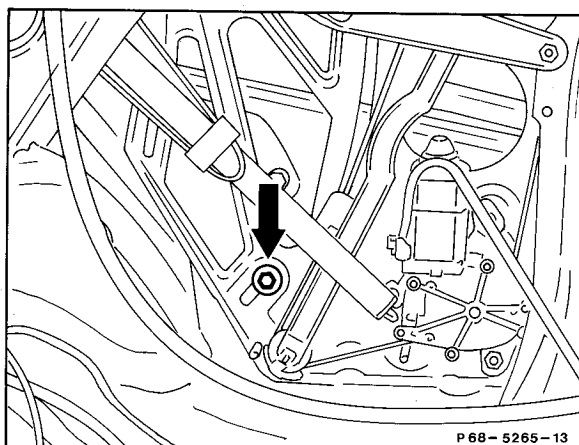
Correction is possible by moving top stop slightly.



If the top stop is moved too far the vertical gap between the side windows changes.



30 Loosen screw (arrow) on bottom stop after removing plastic cover (1). When installing seal all the way around with window sealant, part no. 001 989 31 20.



31 Adjust rear side window so that window extends approx. 30 mm beyond the rubber lip on the sealing rail when the window is open (dimension "a").

32 Tighten screw on bottom stop.

33 Continue to reassemble in opposite order.

