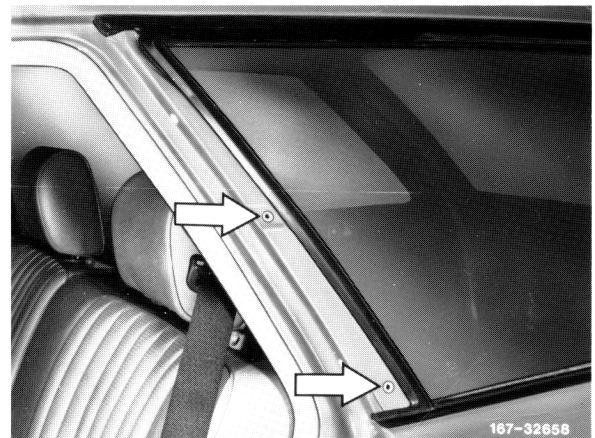


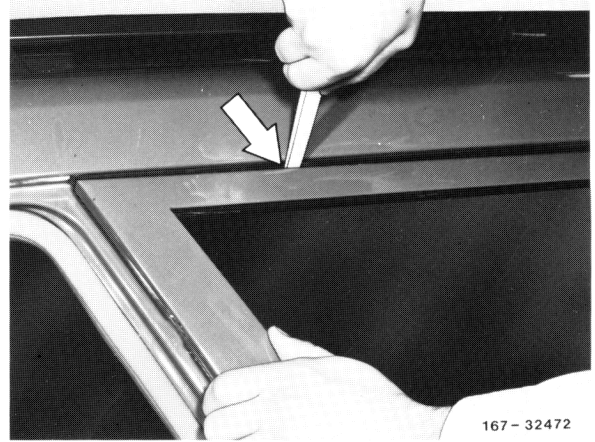
- 1 Screws
- 2 Clip upper member (2 each) in aluminum frame
- 3 Clip lower member
- 4 Aluminum frame
- 5 Rubber frame
- 6 Pane

Remove and install

- 1 Unscrew both screws (1).
- 2 Pull clip upper members (2) with aluminum frame out of clip lower members (Fig., arrows).

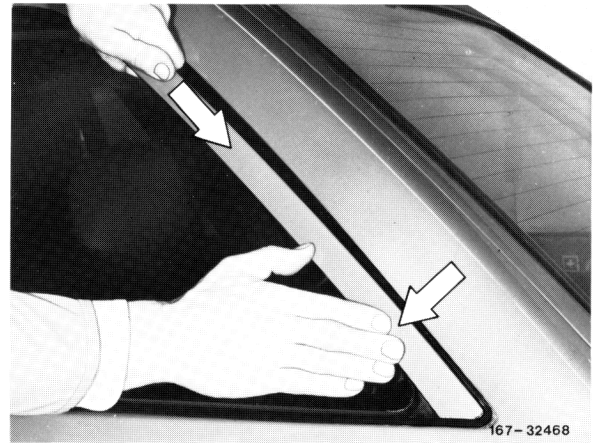


3 Force aluminum frame with plastic wedge out of rubber frame and remove in forward direction.



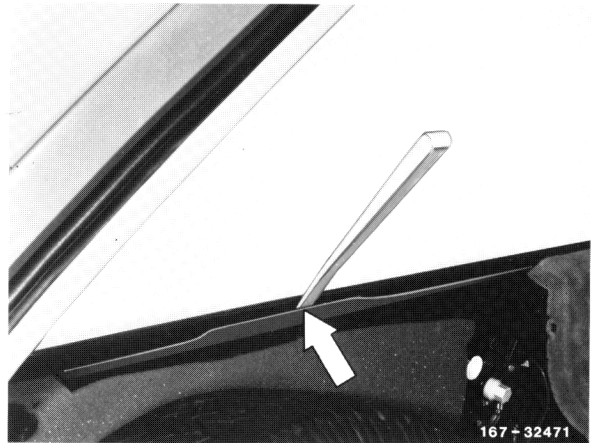
Installation note

Force aluminum frame into rubber frame starting at the rear, fastening with clips at front and screw down.



4 Unfold or remove lateral trim in loading space.

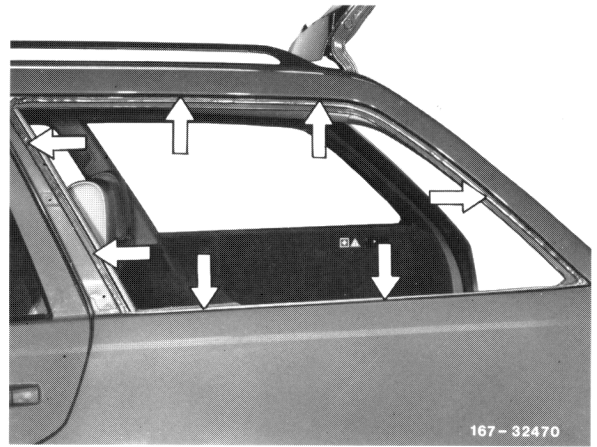
5 Push rubber frame from inside over body fold by means of a plastic wedge and remove side window pane from outside.



Installation note

Prior to installing rubber frame into fold of window cutout, apply MB pane sealing compound. Mount side window with assembly cord. Seal with MB glass sealing compound all-around between glass and rubber frame.

Prior to installing aluminum frame, brush rubber frame with soap solution and locate the two upper members of clips (2) in installation position on aluminum frame.

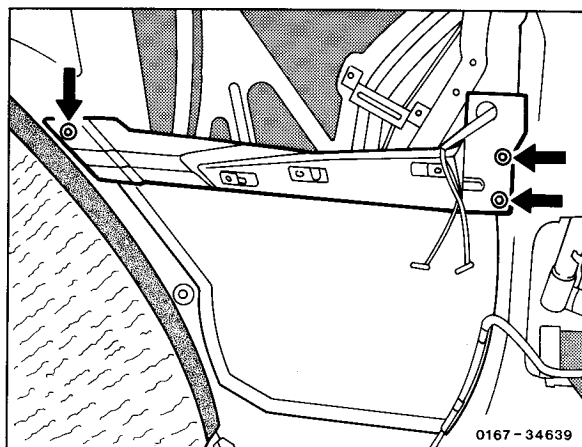


7 Open electric plug connection for power window lift motor and remove numbered lines 1 and 2.

8 Unscrew retaining plate for armrest and remove while pulling out electric line on retaining plate.

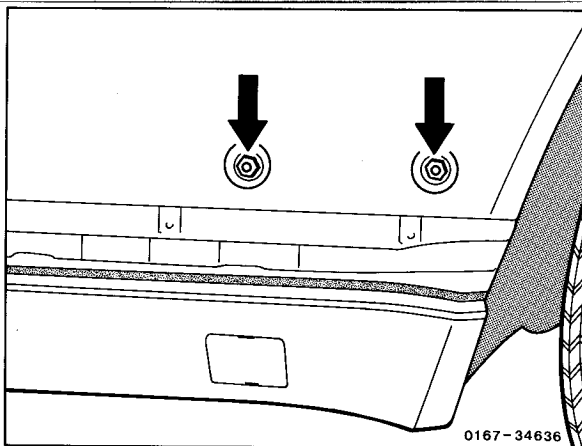
9 Pull out plastic partition in upward direction.

10 Remove outside trim on rear fender (88-800).



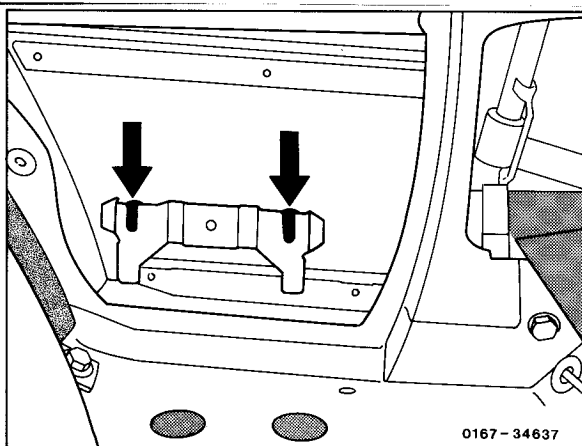
11 Remove closing plugs and loosen nuts located underneath.

12 Remove window lift in upward direction.

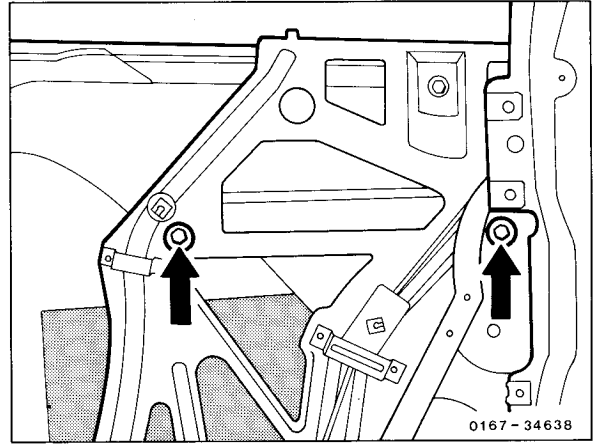


Installation

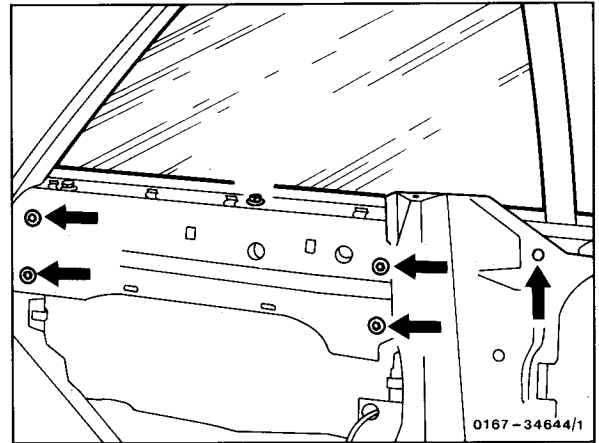
13 Insert window lift with both adjusting screws into bottom brackets and fasten with nut.



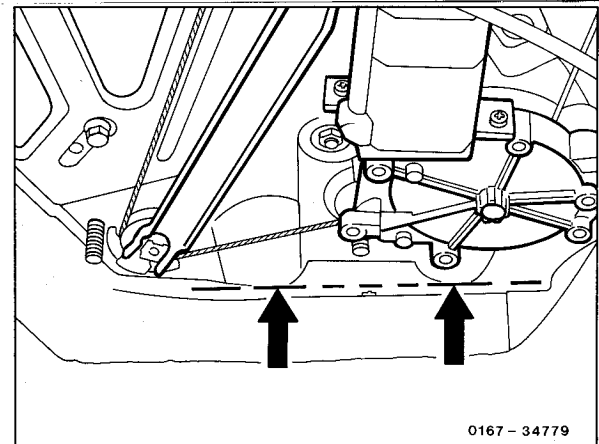
14 Insert side window and fasten to window lift with screws (2 each). Be sure to use the larger washer and the longer screw at the rear.



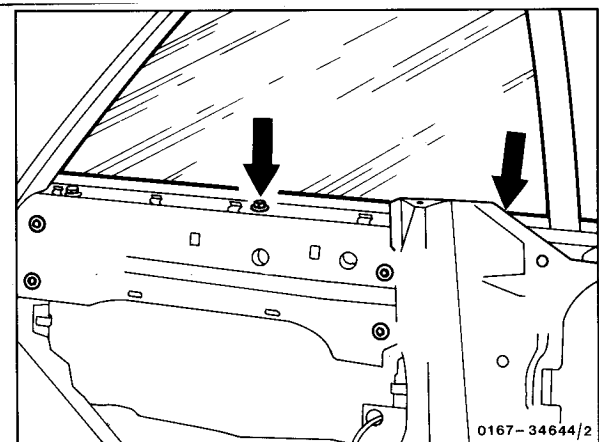
15 Install retaining plate at top and fasten.



16 Adjust window lift by means of the two bottom adjustment screws in advance in such a manner that the bottom sheet metal tabs (arrows) are flush with side member edge and in parallel.



17 Screw in nut (M6, 2 each) on window lift and tighten in such a manner that the rear side window runs in parallel with retaining plate.

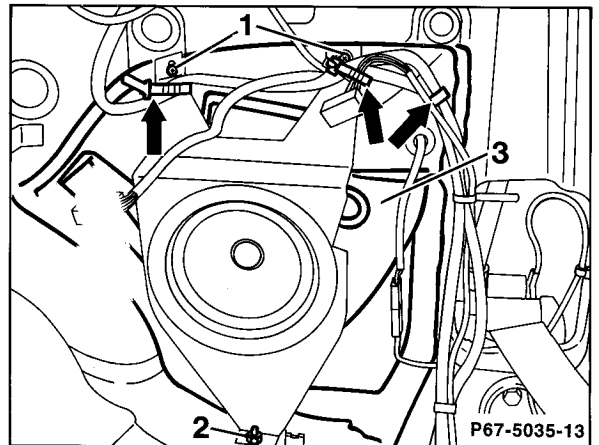


- 18 Install inside sealing rail.
- 19 Adjust rear side window (67-420).
- 20 For further installation proceed vice versa.
- 21 If the sealing foils were damaged during removal, use new sealing foils and glue on carefully.

B. Convertible

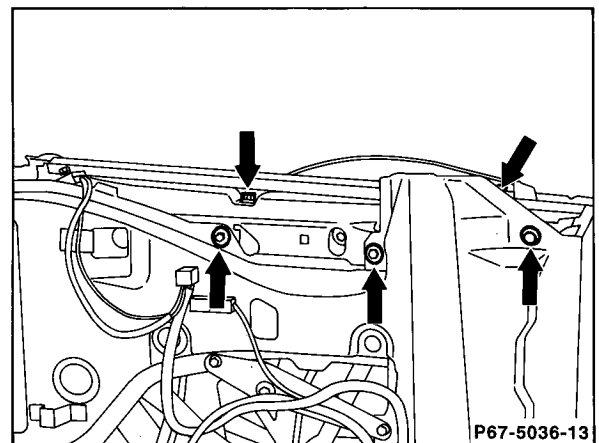
Removal, installation

1 Remove loudspeaker bracket. For this purpose screw out bolts (1) and nut (2) (long bolt in front), open retaining clips and cable straps (arrows).



2 Remove plastic cover (3) and remove sealant as completely as possible.

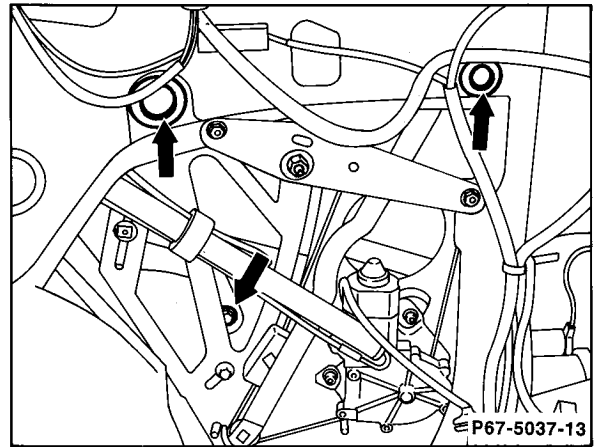
3 Screw out bolts and nuts (arrows) on top retaining plate and remove retaining plate upward.



4 Close rear side window so that screws (3 each) for window lifting rail are visible in assembly opening (remove rubber sleeves).

5 Screw out screws on window lifting rail and remove rear side window upward.

6 Disconnect electrical plug connector for power window motor.

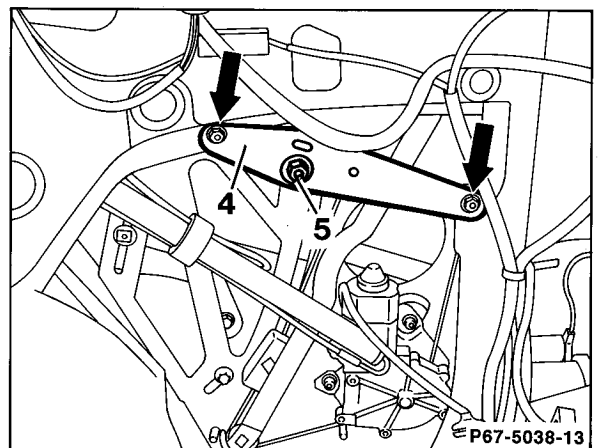


7 Remove support plate (4) for window lift.

Note

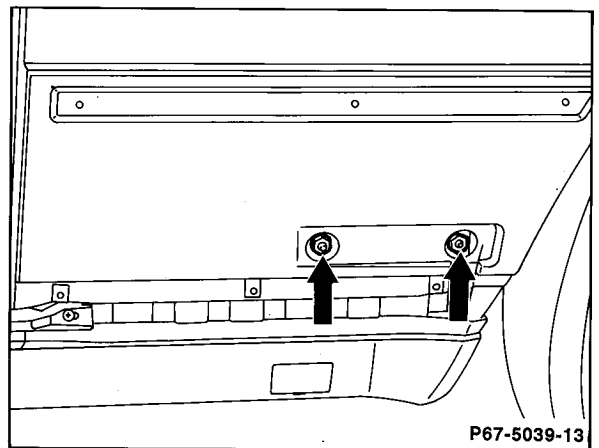
When installing stabilize window lift by pretensioning slightly (approx. 1 mm) with adjustment screw (5).

8 Remove outer panelling on rear fender (88-800).



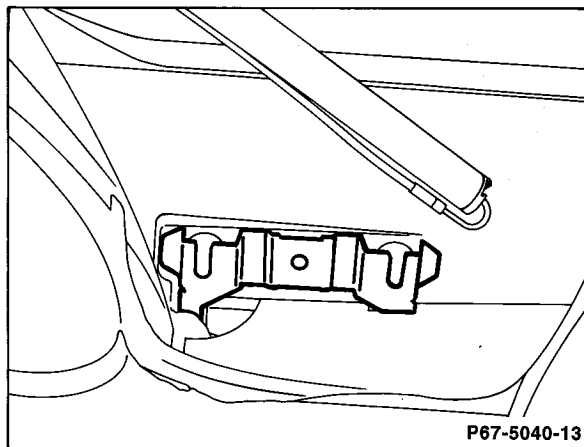
10 Remove plugs and loosen nuts below.

11 Remove window lift upward.

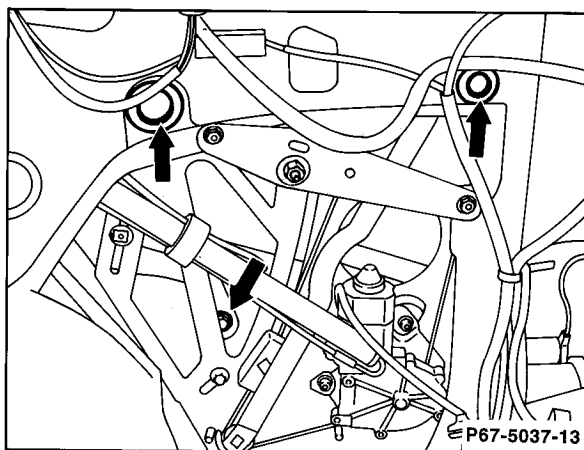


Installation

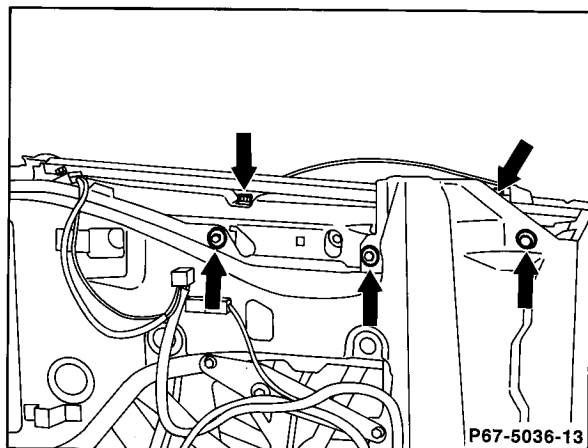
12 Position window lift in bottom brackets with both adjustment screws and tighten nuts.



13 Insert side window and fasten to window lift with screws (3 each).

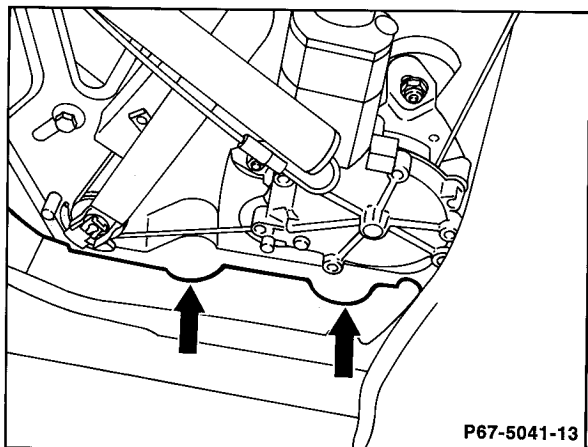


14 Install top retaining plate.



15 Preliminarily adjust window lift with the two bottom adjustment screws so that the bottom sheet metal tabs (arrows) are flush and parallel to the edge of the side member.

16 Install support plate for window lift and adjust, observe note.



17 Position nuts (2 each) at center of oblong hole on window lift.

18 Adjust rear side window (67-420).

19 Continue to reinstall in opposite order.

20 Apply sealant before and after installing plastic cover (part no. 001 989 31 20).

