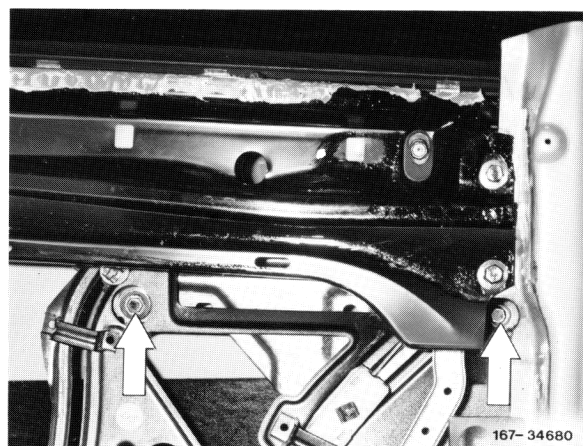
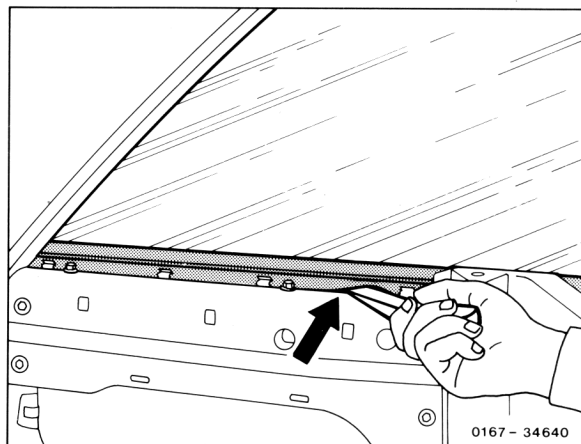


67-400 Removal and installation of side window in rear passenger compartment

A. Coupe

- 1 Remove side wall trim, but do not unscrew end fitting of seat belt on side member for this purpose (68-456).
- 2 Remove belt positioner (91-508).
- 3 Force off inside sealing strip with plastic wedge and remove.
- 4 Loosen both sealing foils.
- 5 Open side window until the screws of the window lifting rail show up in assembly openings.
- 6 Unscrew screws (2 each).
- 7 Remove side window in upward direction.
- 8 For further installation proceed vice versa.
- 9 Adjust rear side window (67-420) prior to installing belt positioner.

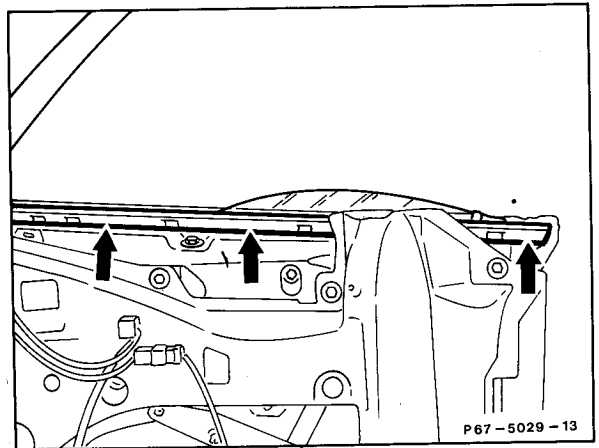


Note: If the sealing foil is damaged during removal, renew and glue on carefully.

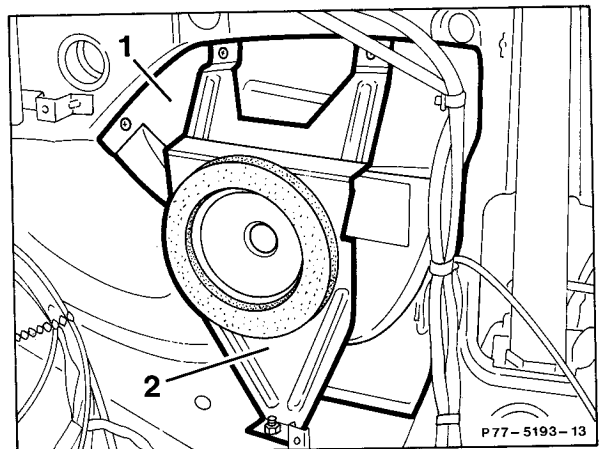
B. Convertible

1 Remove side wall trim without removing the end fitting for the seat belts (68-456).

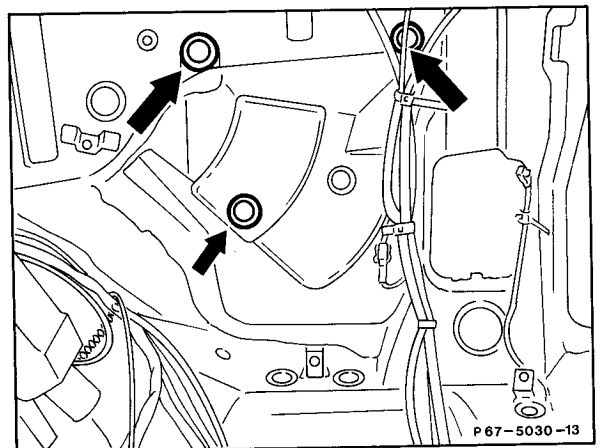
2 Force off inside sealing strip with plastic wedge and remove.



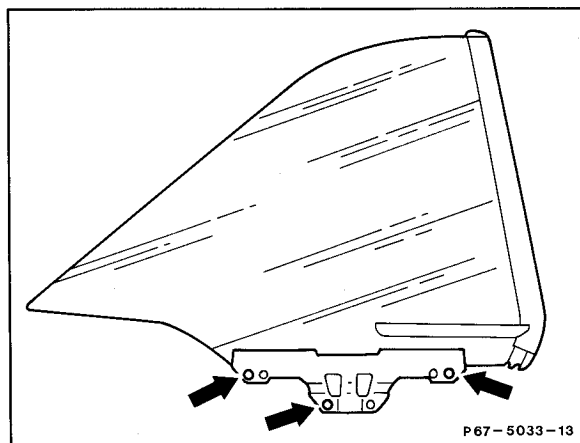
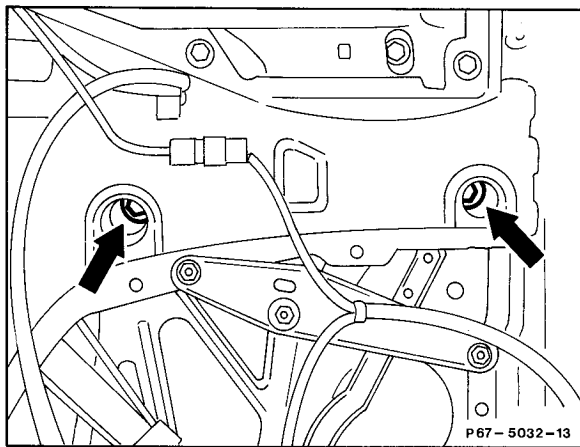
3 Remove rear loudspeaker together with bracket (2).



4 Remove rubber sleeves (3 each, arrows).



- 5 Open side window until the screws for the window lifting rail are visible in the assembly openings or openings in the side wall.
- 6 Screw out screws (3 each).
- 7 Remove side window in upward direction.
- 8 Reinstall in opposite order.
- 9 Adjust rear side window before installing side panel (67-420).



Arrow = mounting points for rear side window.