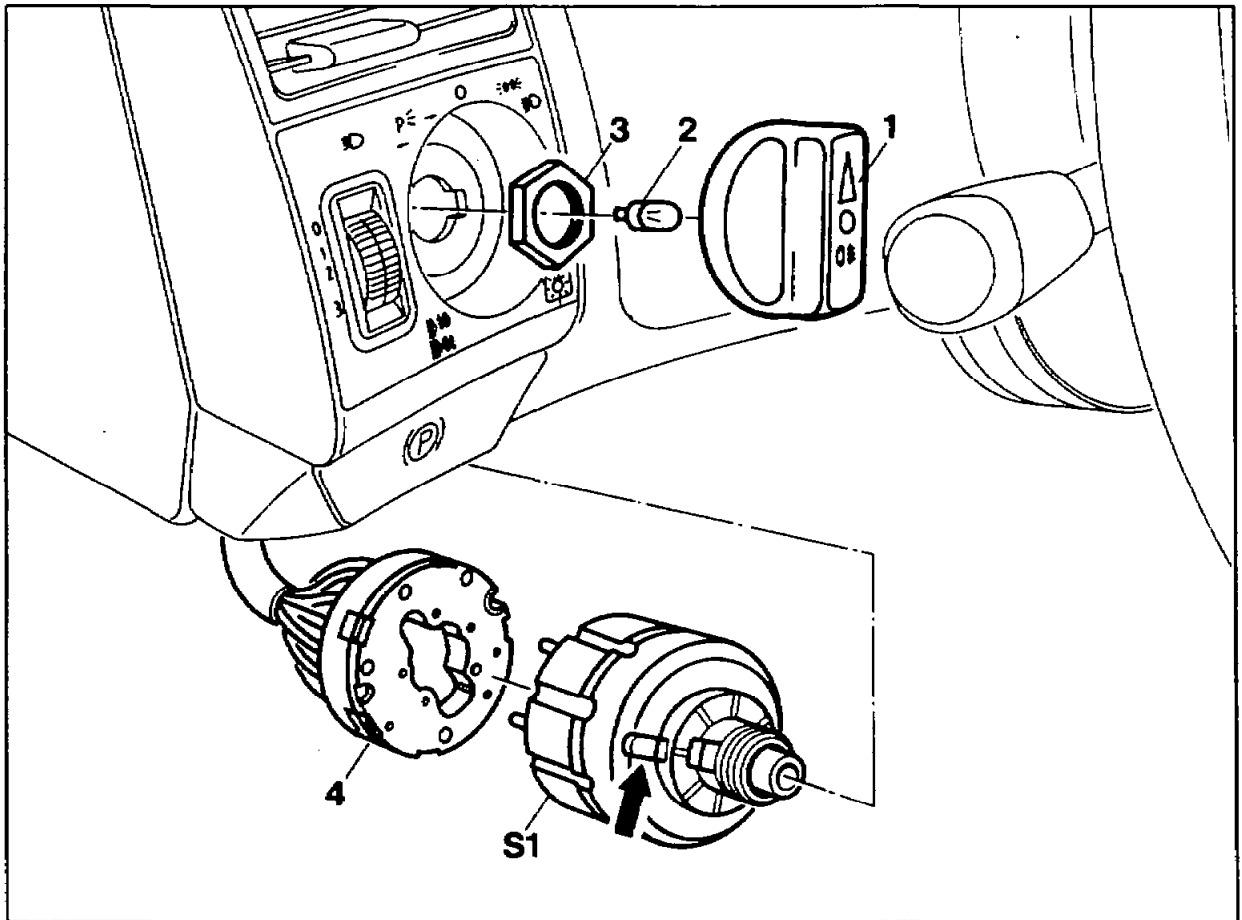


54-3250 Removing and Installing exterior light switch

Preceding work:
Cover below instrument panel removed (68-150).



P54-5430-57

Ground cable at battery	disconnect, connect.
Exterior light switch operating knob (1)	pull off, fit on.
Bulb (2)	pull out, insert.
Nut (3)	unscrew, screw on.
Exterior light switch (S1)	turn to the left and take out to the rear, insert from the rear and turn to the right.

Note

Ensure the catches (arrow) on the exterior light switch (S1) are correctly located.

Electrical connection (4)	unplug, plug in.
---------------------------------	------------------