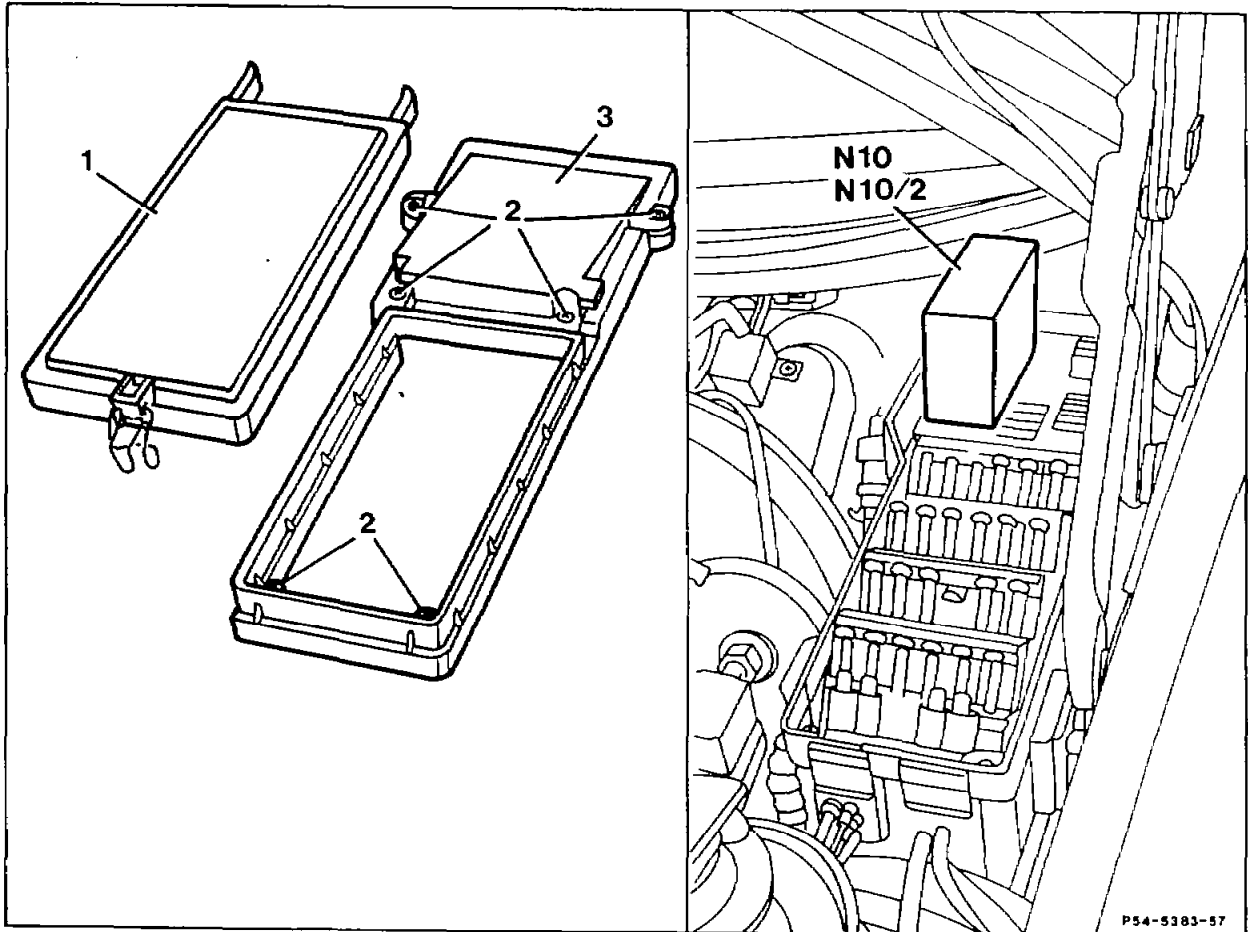


54-1500 Removing and Installing combination relays

Operation no. of operation texts and work units or standard texts and flat rates:



Catch	open, close.
Cover of fuse box (1)	take off, fit on.
Screws (2)	unscrew, screw in.
Cover of relay box (4)	take off, fit on.
Combination relays (N10, N10/2)	take out, insert.