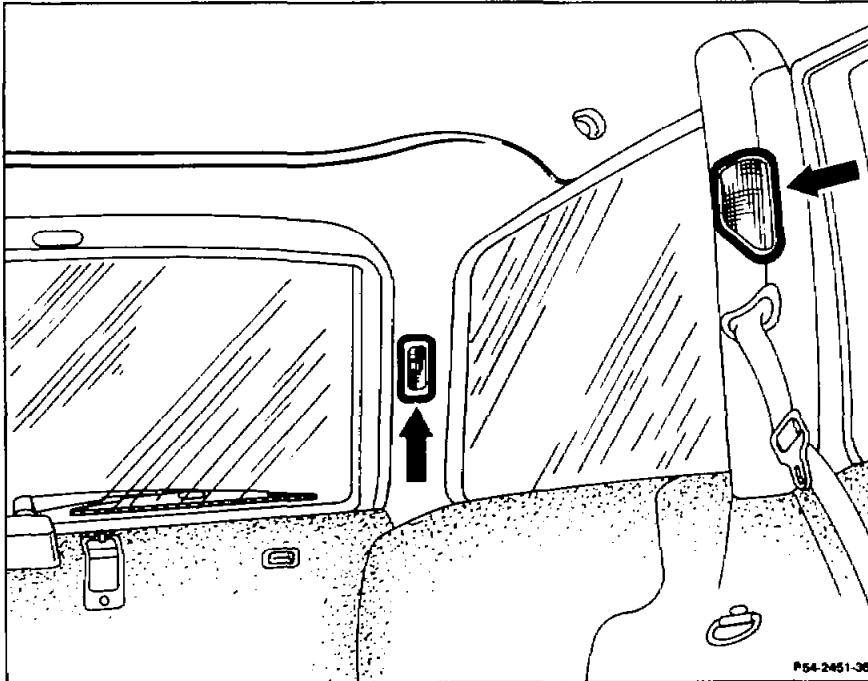


54-0320 Removing and installing rear dome lamp and switch

Operation no. of operation texts and work units or standard texts and flat rates:

A. Station wagon



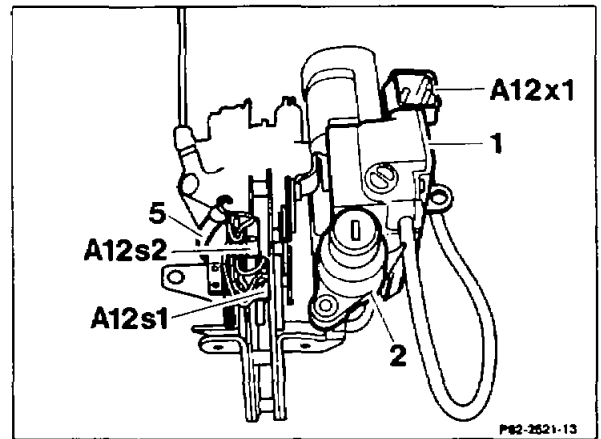
Dome lamp	unclip at the side marked with arrow, clip into place.
Electrical connections	unplug, plug in.
Tailgate contact switch	remove, install (step 1).

Note

The contact switch (A12s2) for the tailgate is integrated in the lock and can only be removed complete with the lock.

Switch in cover, top center console	remove, install (54-3190, step 2).
---	------------------------------------

- 1 The contact switch (A12s2) for the tailgate is integrated in the lock and can only be removed complete with the lock.



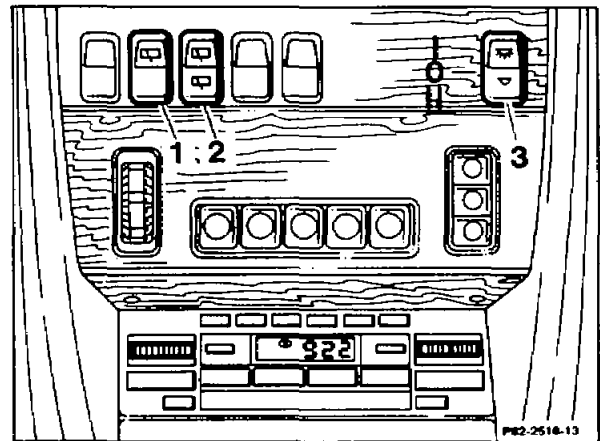
- 2 The four dome lamps can be switched on by the switch (3) which is located on the switch console.

Switch positions:

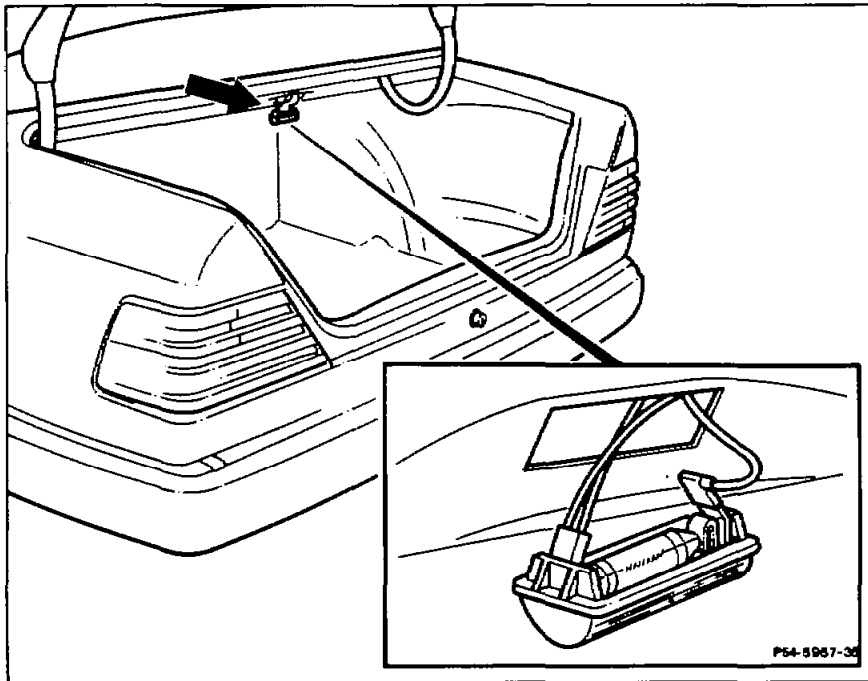
0 = Dome lamps switched off

I = Dome lamps constantly on

II = Dome lamp controlled by rear door contacts and tailgate contact



B. Sedan trunk lighting



Trunk lighting	unclip, clip in place (arrow).
Electrical connections	unplug, plug in.
Bulb	remove, replace.