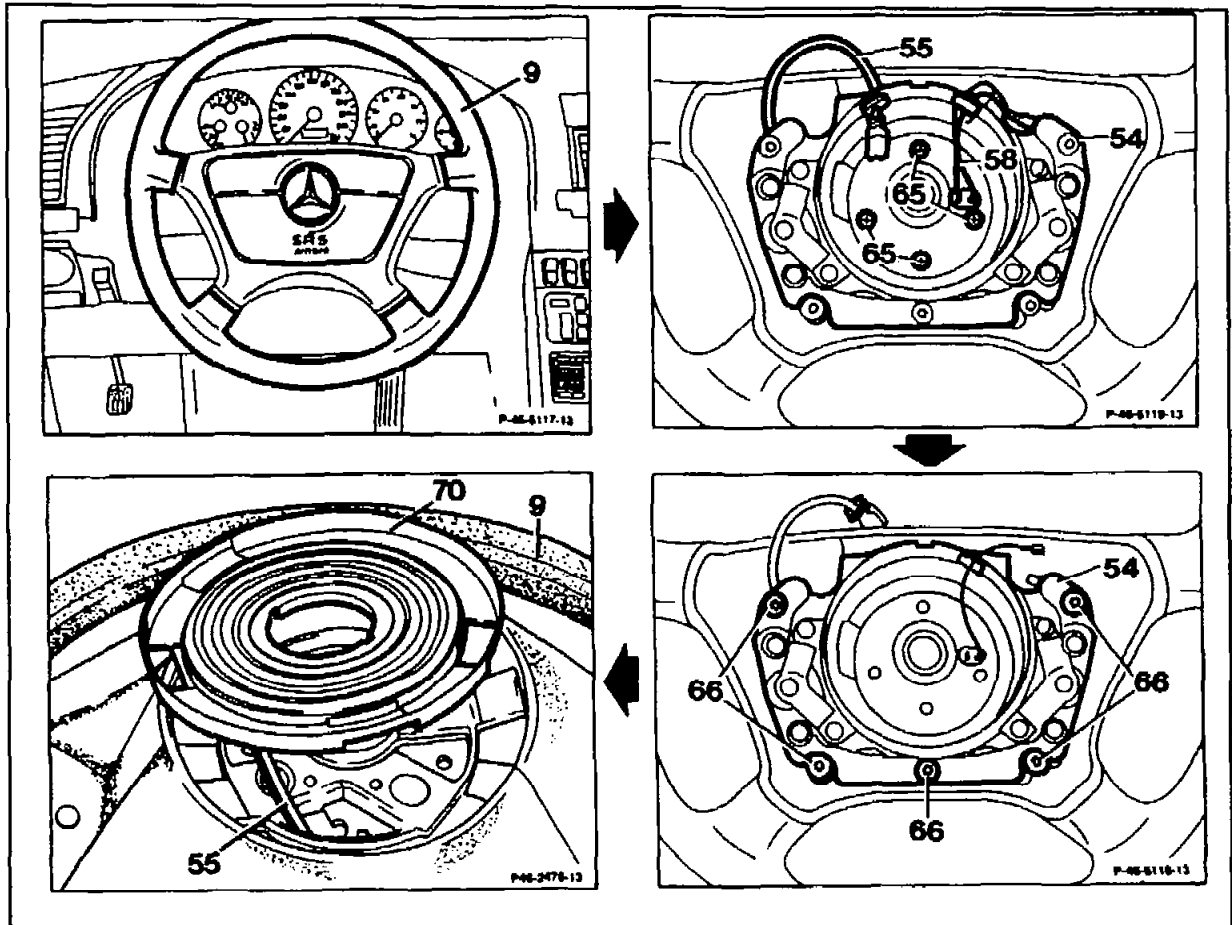


## 46-8340 Removing and installing slip ring on steering wheel

Preceding work:  
Remove, install steering wheel (46-8240)

### A. Steering wheel up to the introduction of contact spiral (06/93)



P46-5144-57

Cable (55) .....	remove, with the rubber sleeve in the impact absorber (54), install
Cables (58) .....	disconnect, connect and remove from the rubber sleeve in the impact absorber (54), install.
Screws (65) .....	unscrew, screw in.
On steering wheel version design 124, .....	unscrew, screw in the 4 outer Torx socket bolts (66) (do not loosen center screw), remove, install impact absorber (54).
Wiper ring (70) .....	Remove, install at steering wheel.

**Note**

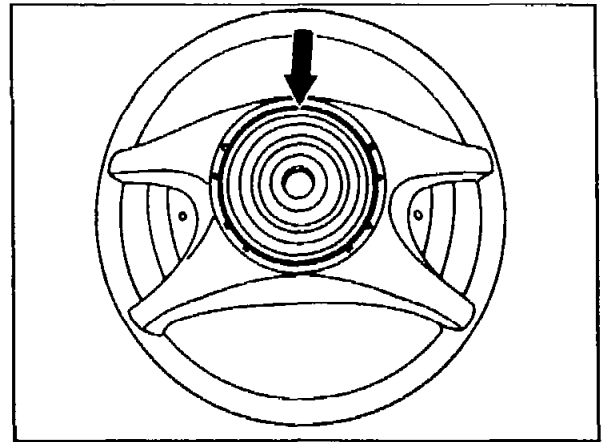
When replacing the steering wheel it is essential to note which special equipment is fitted:

2 brass contact rings = standard (= horn rings)

4 brass contact rings = airbag

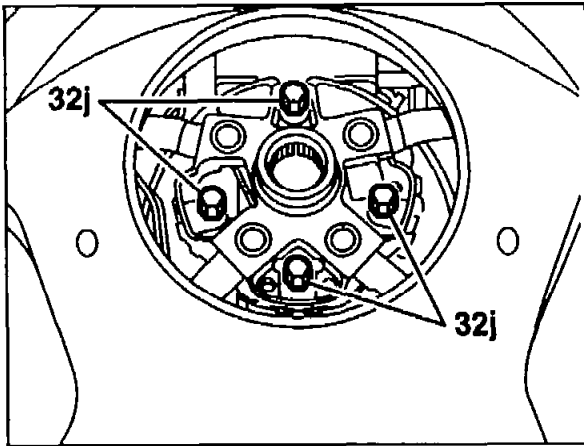
2 brass contact rings + 1 steering angle magnet ring (arrow) = 4MATIC, ADS

4 brass contact rings + 1 steering angle magnet ring (arrow) = airbag, ADS, 4MATIC

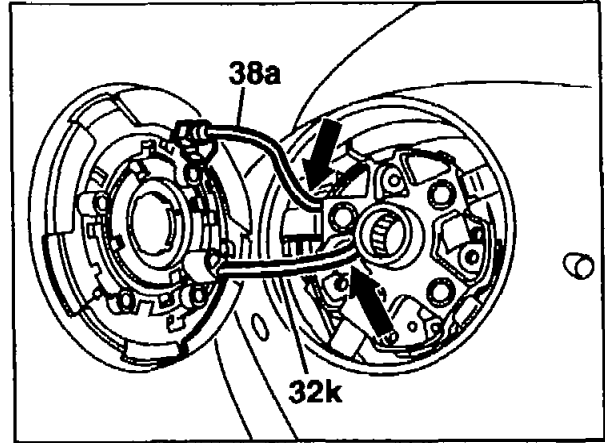


P46-2647-13

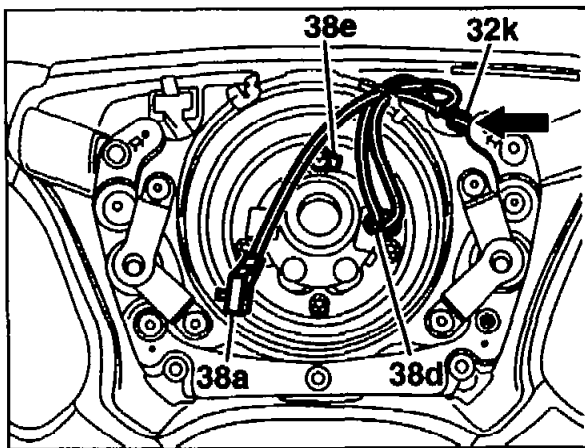
**B. Steering wheel as of the introduction of contact spiral 07/93  
(installation of slip ring)**



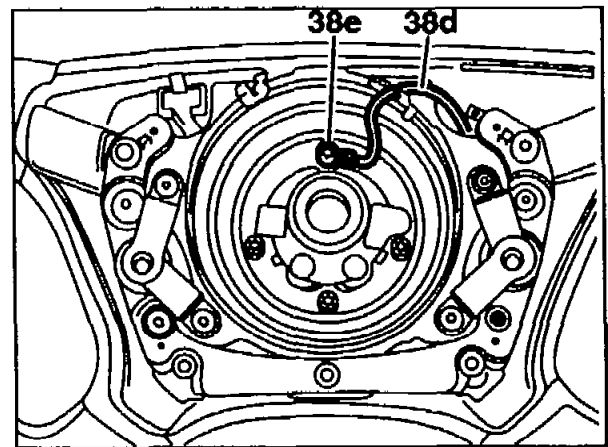
P46-5462-13



P46-5458-13



P46-5460-13



P46-5459-13

Bolts or nuts (32j) .....

Slip ring .....

Unscrew, screw on.

Install as follows:

- push in cables for airbag squib (38a) and horn (32k) through the recesses in the steering wheel (see arrows) and the grommet in the impact absorber
- insert slip ring and install with new screws (32j)  
Tightening torque 6 Nm.
- Disconnect cable (38d) from flat-pin plug (38e) and connect to the flat-pin plug of the slip ring
- connect cable which has been pushed in for horn (32k) in the upper right contact plate (arrow)