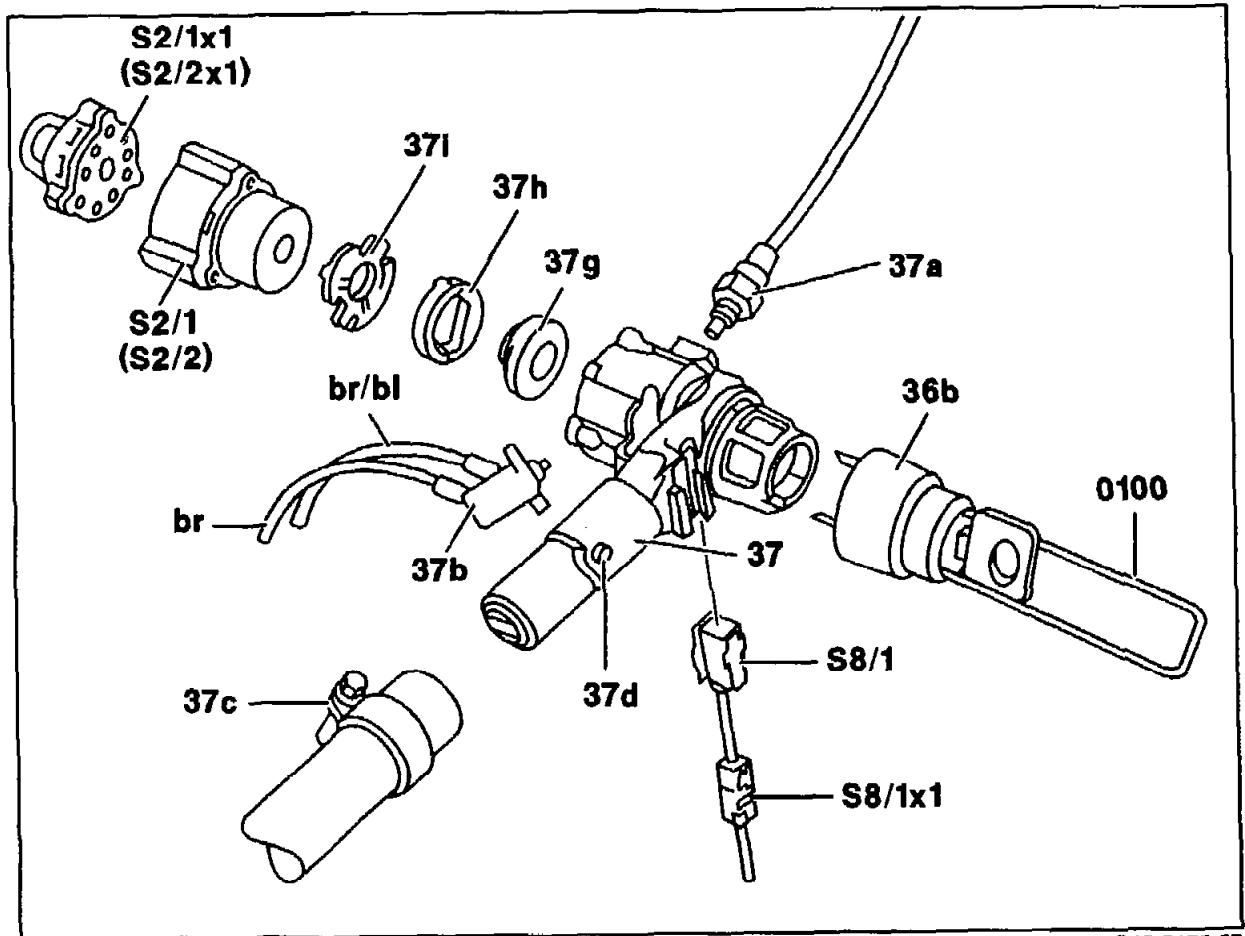


46-8010 Removing and installing the steering lock complete

Preceding work:

Cover below instrument panel removed (68-150).

Model 201 instrument cluster removed (54-250).



P46-5475-57

Lock cylinder (36) with cap (36b)	remove, install in key position "1" (46-8110). Use disengaging wire (0100).
Connector (S8/1x1)	Disconnect, connect
Connector (S2/1x1)	Disconnect, connect
Wire cable (37a)	on vehicles with parking lock interlock, unscrew, screw on (as of 01/90).
Vacuum lines (br, br/bl)	On vehicles with diesel engine, disconnect, connect. Observe installed position of vacuum lines (Number 5).

Clamp (37c) Loosen, press in locking pin (37d) and withdraw steering lock (37) from the mount of the jacket tube. When installing, ensure that the locking pin (37d) engages in the bore of the mount of the jacket tube.



The steering lock (37) must not be turned out of position "1" without the ignition/starter switch (S2/1) or glow/starter switch (S2/2) otherwise the steering lock locks in such a way that it cannot be released.

Ignition/starter switch (S2/1) or glow/starter switch (S2/2) Detach, attach. Observe locating lug.

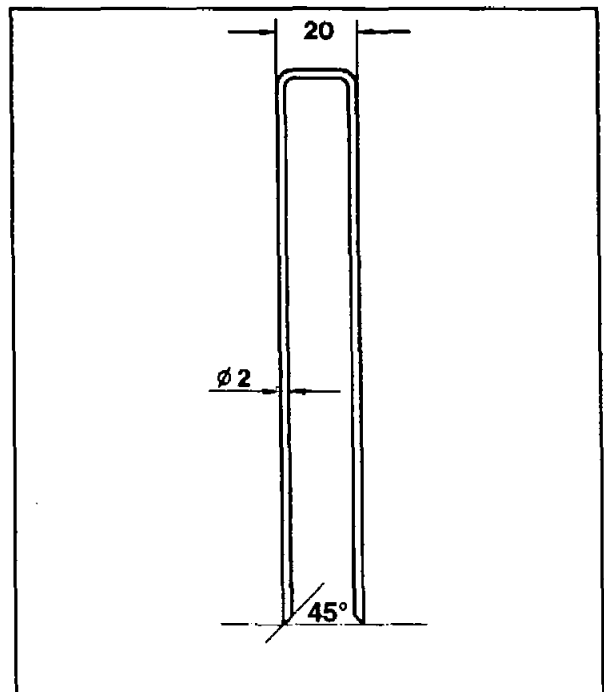
Warning buzzer contact, exterior lamps (S8/1) ... Remove, install.

Glow/starter switch valve (37b) Remove, install.

Washer (37i), parking lock valve (37h) and cam (37g) remove, install (Number 10).

Shop-made tool

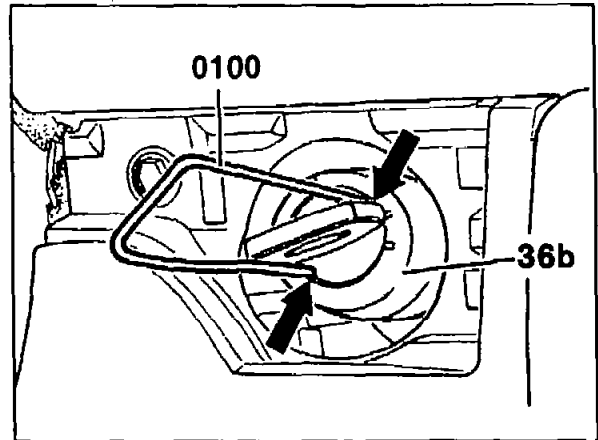
Effective length of wire = 320 mm.



P46-5436-15

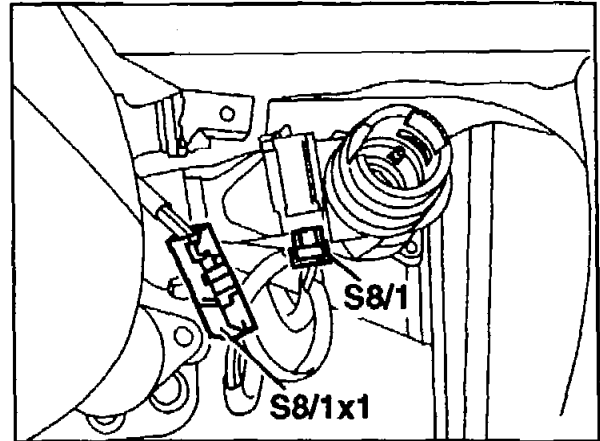
Removal, Installation

1 Remove lock cylinder with cap (36b) in key position "1". Use disengaging wire (0100) (46-8110).



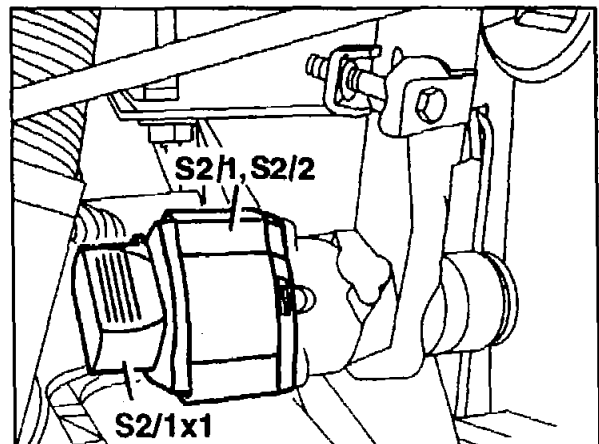
P46-5437-13

2 Disconnect connector (S8/1x1) from warning buzzer contact (S8/1).



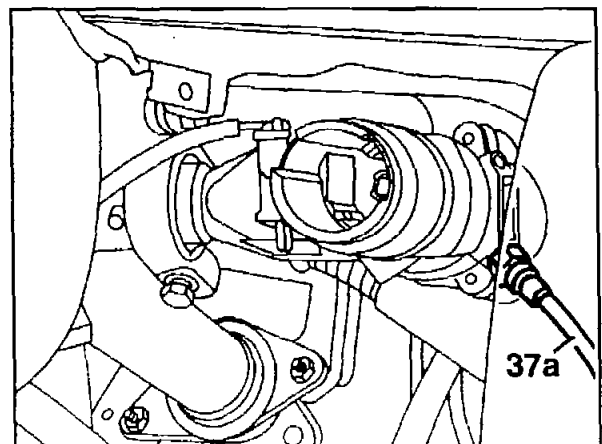
P46-5438-13

3 Disconnect connector (S2/1x1) from ignition/starter switch (S2/1) or glow/starter switch (S2/2).



P46-5439-13

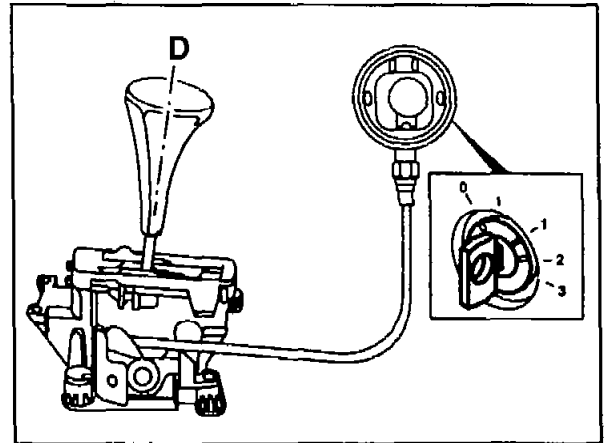
4 Unscrew wire cable (37a).



P46-5440-13

Note

Since 01/90 (USA as of Model year 90), all vehicles with automatic transmission are fitted with a parking lock interlock. As a result the ignition key can only be removed in selector lever position "P". When the steering lock is removed and the locking cylinder is installed, the parking lock valve must be pushed back through the bore for the wire cable in order to remove the ignition key. For adjustment of the parking lock valve, refer to repair instructions "automatic transmission 722.4".

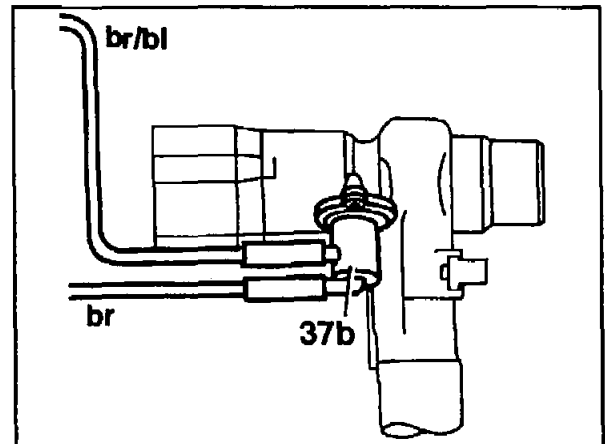


P27-2406-13

5 On vehicles with diesel engines, disconnect vacuum lines (br, br/bl) from the glow/starter switch valve (37b).

Installation note

Observe installed position of vacuum lines.

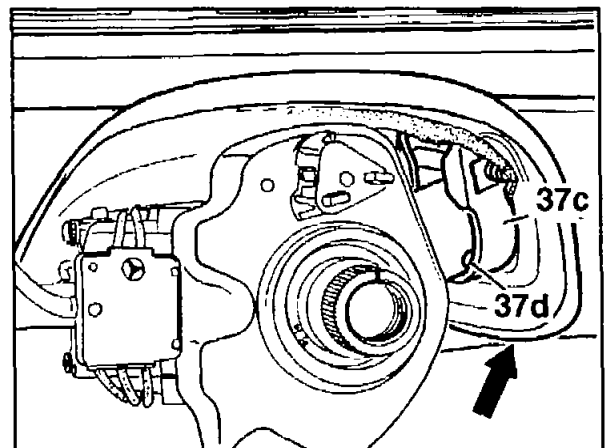


P46-5441-13

6 Loosen clamp (37c) on jacket tube, press in locking pin (37d) and withdraw steering lock from the mount of the jacket tube.

Installation note

When installing, ensure that the locking pin (37d) engages in the mount of the jacket tube.

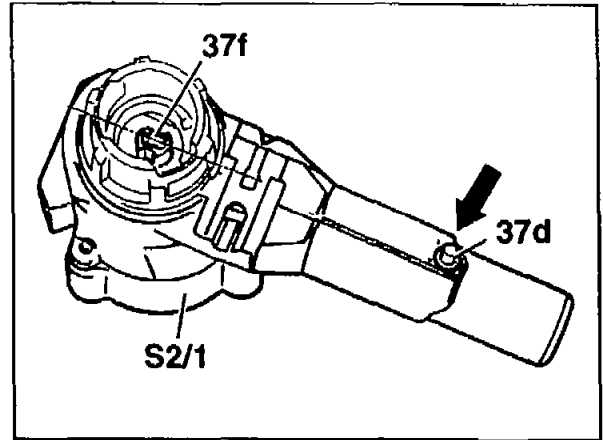


P48-5442-13



The steering lock must not be turned out of position "1" without the ignition starter switch (S2/1) or glow/starter switch (S2/2) (the rectangular recess in the shift shaft (37f) is in the direction of the steering lock shaft). Otherwise the built-in locking detent locks the steering lock in such a way that it cannot be released.

7 Detach ignition/starter switch (S2/1) or glow/starter switch (S2/2).



P46-5443-13

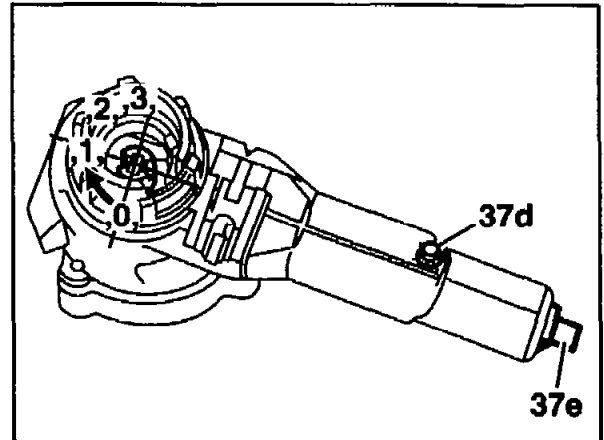
37d Locking pin
37f Shift shaft

Installation notes



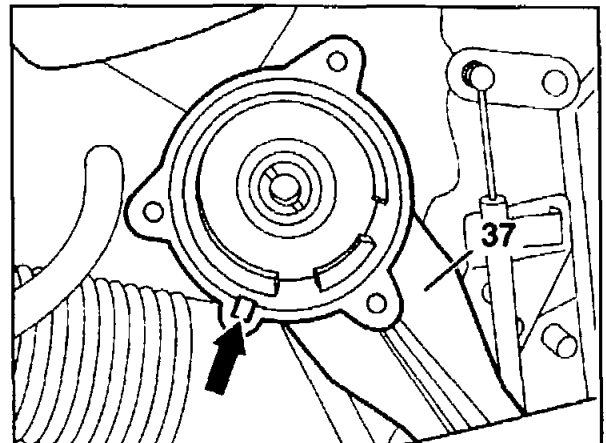
Install the ignition/starter switch (S2/1) or glow/starter switch (S2/2) before turning the steering lock.

- The steering lock can only be installed in lock cylinder position "1".
- If the steering lock is in the normal position "0" (locking pin 37d locked, locking pin 37e extended), the shift shaft is to be turned into the installed position "1".



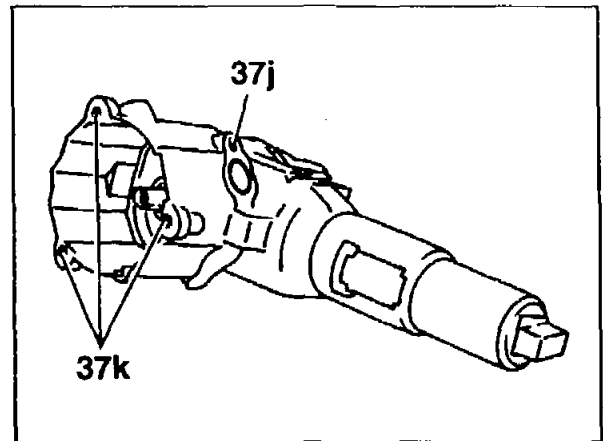
P46-5465-13

- Install the ignition/starter switch (S2/1) or glow/starter switch (S2/2) with the fixing lug in the recess of the steering lock (37) (arrow).
- Observe PIN assignment for the ignition/starter switch (S2/1) or glow/starter switch (S2/2) when assembling new parts.
- The ignition/starter switch (S2/1) or glow/starter switch (S2/2) can also be removed/installed when the steering lock is installed using a short screwdriver.



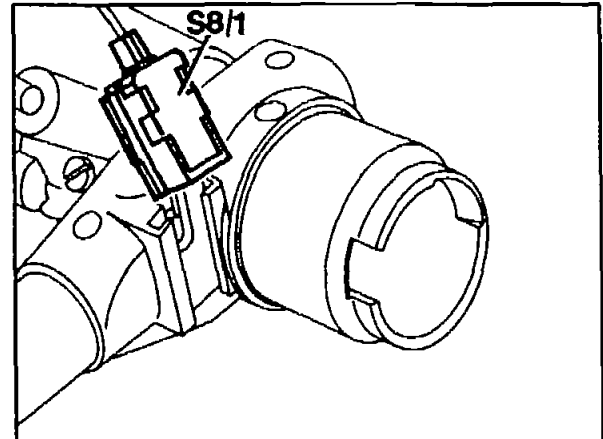
P46-5444-13

- The mounting bores (37k) for the ignition/starter switch (S2/1) or glow/starter switch (S2/2) and for the vacuum valve (37j) on diesel vehicles do **not** have a thread on the ET steering lock made by "Huf". During assembly, the threads must be cut in the steering lock by the self-tapping screws.



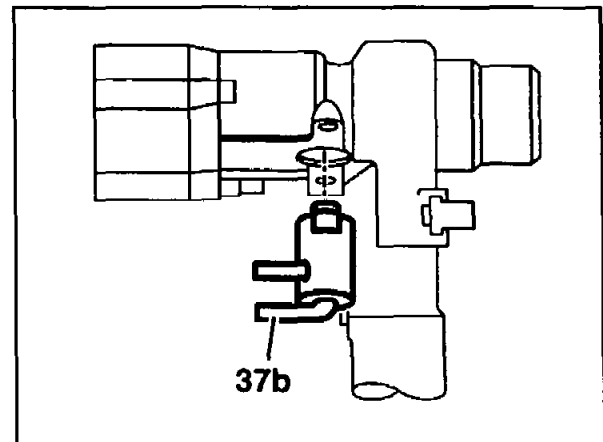
P46-5445-13

- 8 Remove warning buzzer contact, exterior lamps (S8/1) in key position "1".



P46-5390-13

- 9 Remove glow/starter switch valve (37b).

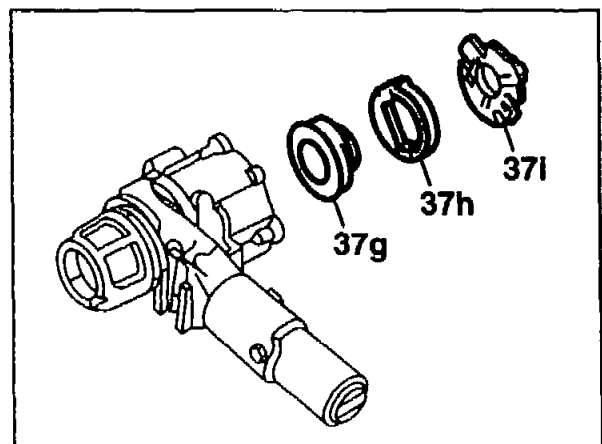


P46-5463-13

- 10 On vehicles with automatic transmission, remove washer (37i), parking lock valve (37h) and cam (37g).

Installation note

When the steering lock is replaced, the washer (37i), the parking lock valve (37h) and the cam (37g) must be changed at the same time (not included in the scope of the supply for the steering lock).



P46-5464-13