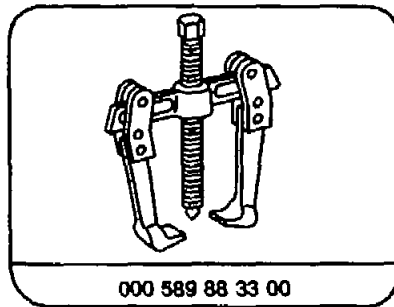
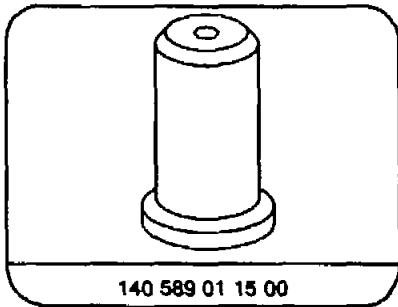


P46-0005-37A

- | | |
|-------------------------|--|
| Distance "a" | Determine between pitman arm (12) and steering gear (1) using caliper gauge and note (number 1). |
| Locking ring (16) | Detach, attach, replace if necessary (number 2). |
| Hexagon nut (14a) | Unscrew, screw on and replace. Remove, install hexagon bolt (14), 55 Nm (number 3). |
| Pitman arm (12) | Remove, push on.
Clean shaft spline and coat shaft spline with Loctite 270. Push on pitman arm (12) to the dimension "a" measured in number 1 (number 4). |

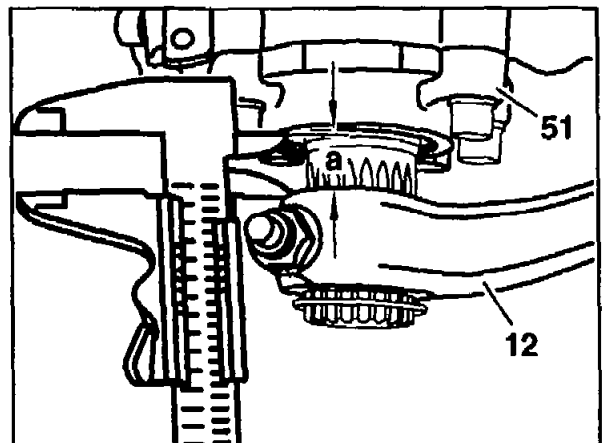
- | | |
|-------------------------|--|
| Circlip (60) | Remove, install (number 5). |
| Sealing ring (61) | Press out, replace and press in.
Use alignment tool 140 589 01 15 00
(number 5). |
| Steering gear (1) | Fill, bleed and check for leaks (46-4080). |

Special tools



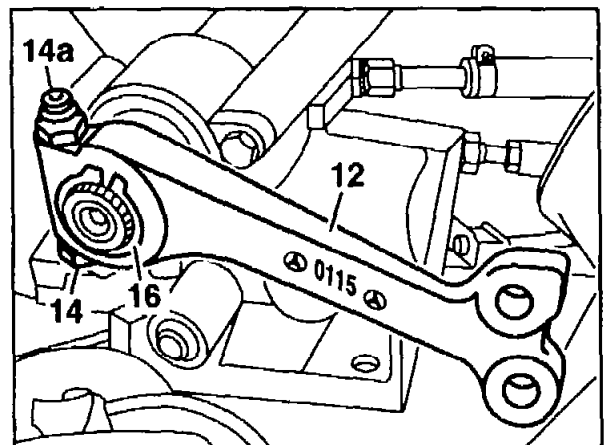
Removal and installation

- Using a caliper gauge, measure and note distance "a" between pitman arm (12) and steering gear cover (51).



P46-2097-13

- Remove and replace locking ring (16).
- Unscrew hexagon nut (14a), and remove hexagon bolt (14).



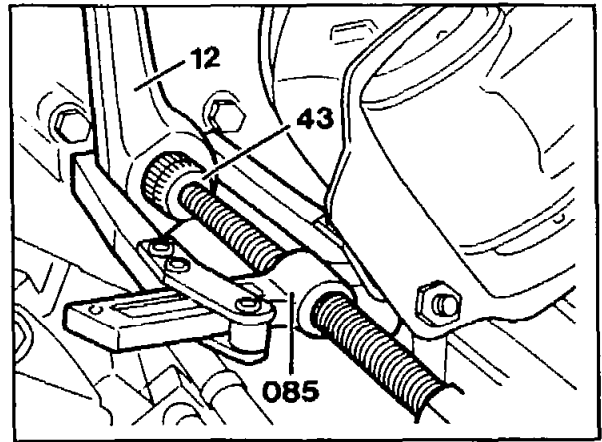
P46-2265-13

4 Remove pitman arm (12) from pitman arm shaft (43).

Installation note

The shaft splines on the pitman arm shaft and on the pitman arm must be free of oil and grease.

Coat shaft spline of pitman arm with Loctite 270 and push pitman arm on to the pitman arm shaft to the dimension "a" measured in number 1.



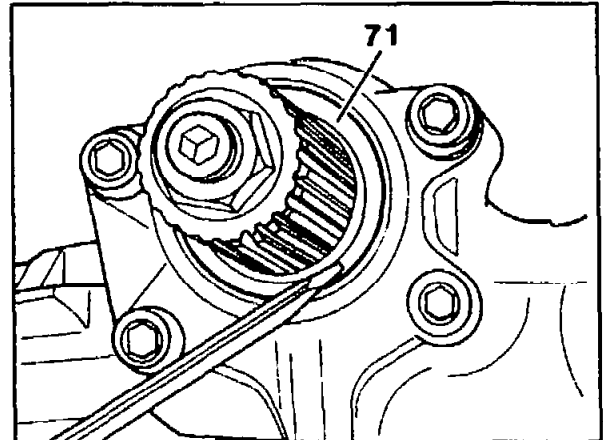
P46-2052-13



The pitman arm cannot be checked using normal workshop equipment. The steering gear is to be replaced in cases of doubt, particularly after accidents.

Replace sealing ring

5 Remove circlip. Press sealing ring (61) out using screwdriver. Take care not to damage the pitman arm shaft.

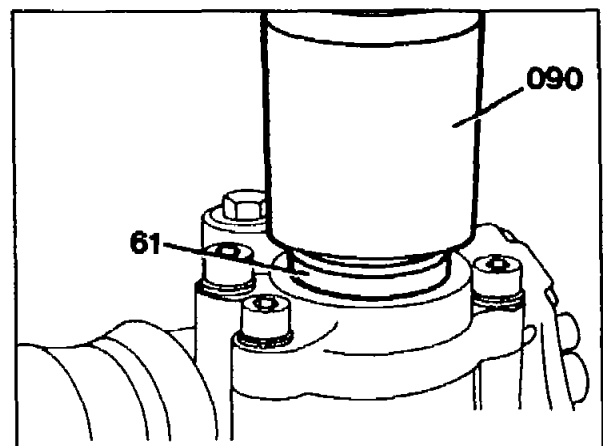


P46-2092-13

Installation note

Press new sealing ring (61) in up to the stop in the steering gear cover using alignment tool (090) 140 589 01 15 00. Do not damage the sealing lips when pushing the sealing ring over the shaft spline. Insert circlip.

6 Fill and bleed steering gear, check for leaks (46-4080).



P46-5132-13