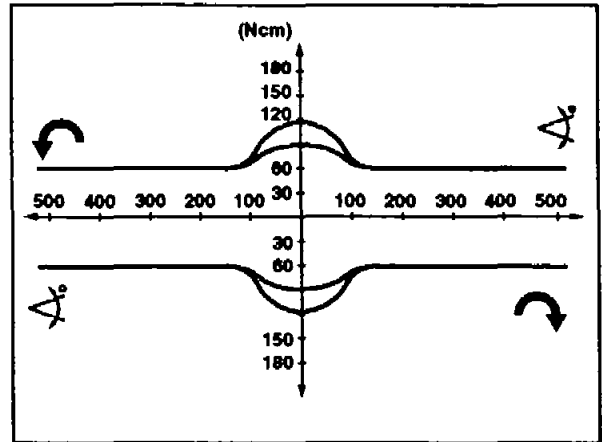
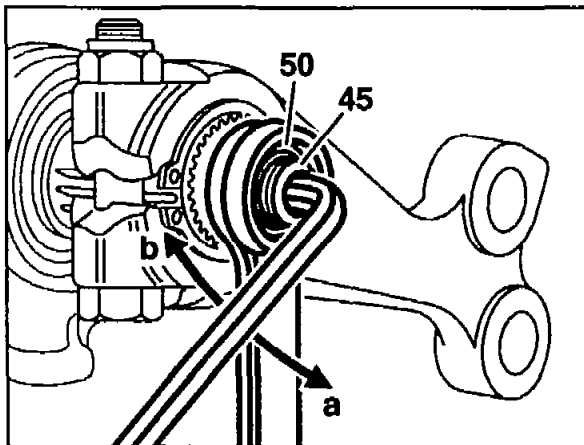


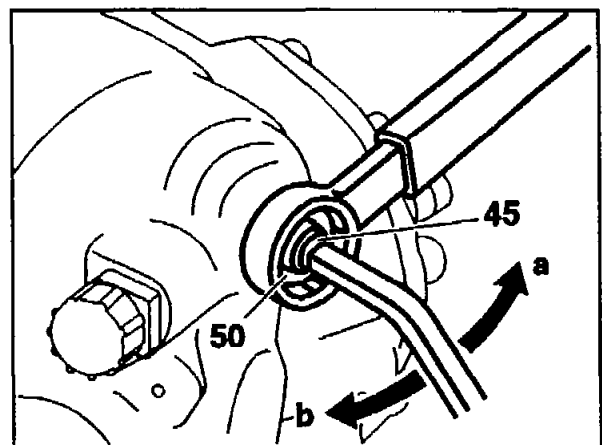
P46-2042-13



P46-0063-13



P46-2564-13



P46-5433-13

- |   |   |
|---|---|
| Tie rod and drag link .....                 | Disassemble and assemble on pitman arm (46-6177, 46-7007).  |
| Support (031) and torque wrench (060) ..... | Fix to steering wheel, remove   |
| Friction torque of steering gear .....      | Determine by slowly turning the steering wheel from lock to lock several times  |
| Friction torque of steering gear .....      | Adjust, by slackening lock nut (50) and turning adjusting screw (45) 1/4 turn in stages<br>direction a = less play = increased friction torque<br>direction b = more play = reduced friction torque |
|   | Tighten lock nut (50), 60 Nm.   |

Friction torque of steering gear ..... Check again after tightening the lock nut (50) and repeat adjustment, if necessary.

Adjusting wrench on vehicles with diesel engines 123 589 01 09 00.

Adjusting wrench on vehicles with gasoline engines 123 589 01 10 00, 123 589 01 03 00.

Set value	(Ncm)	
	Total friction torque of steering gear in center position	New steering
	Used steering	100–130 <sup>1)</sup>

<sup>1)</sup> On vehicles with airbag 110-140 (without contact spiral)

### Special tools

