

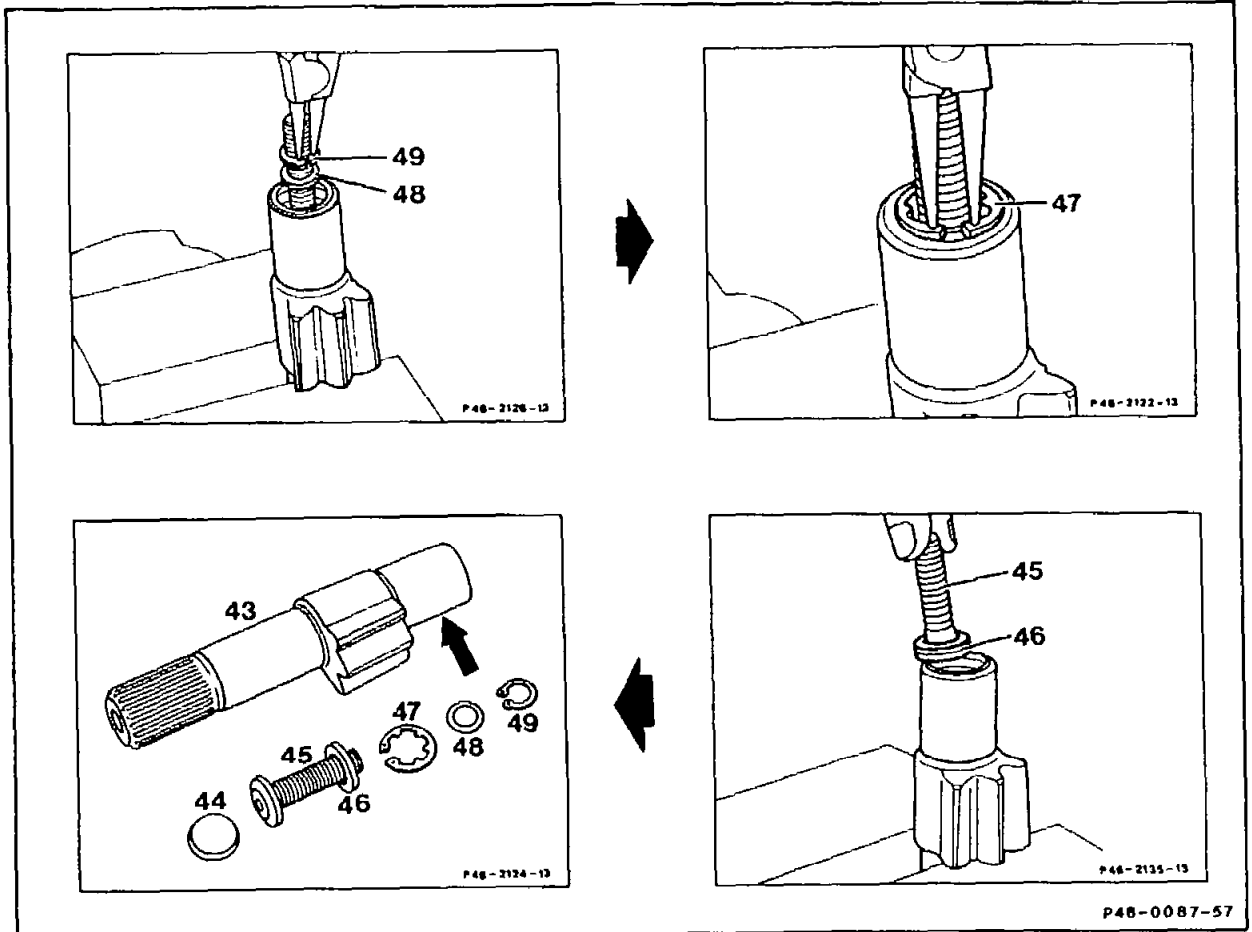
46-0234 Removing and installing adjusting screw

Preceding work:

Removing and installing steering gear (46-3400)

Removing, installing and checking bearing cover with pitman arm shaft (46-0232)

A. Steering gear with adjusting screw at top, models 124 (except 124.034/036), 201 and 202



Locking ring (49)

Locking ring (47)

remove and install, take off thrust ring (48).

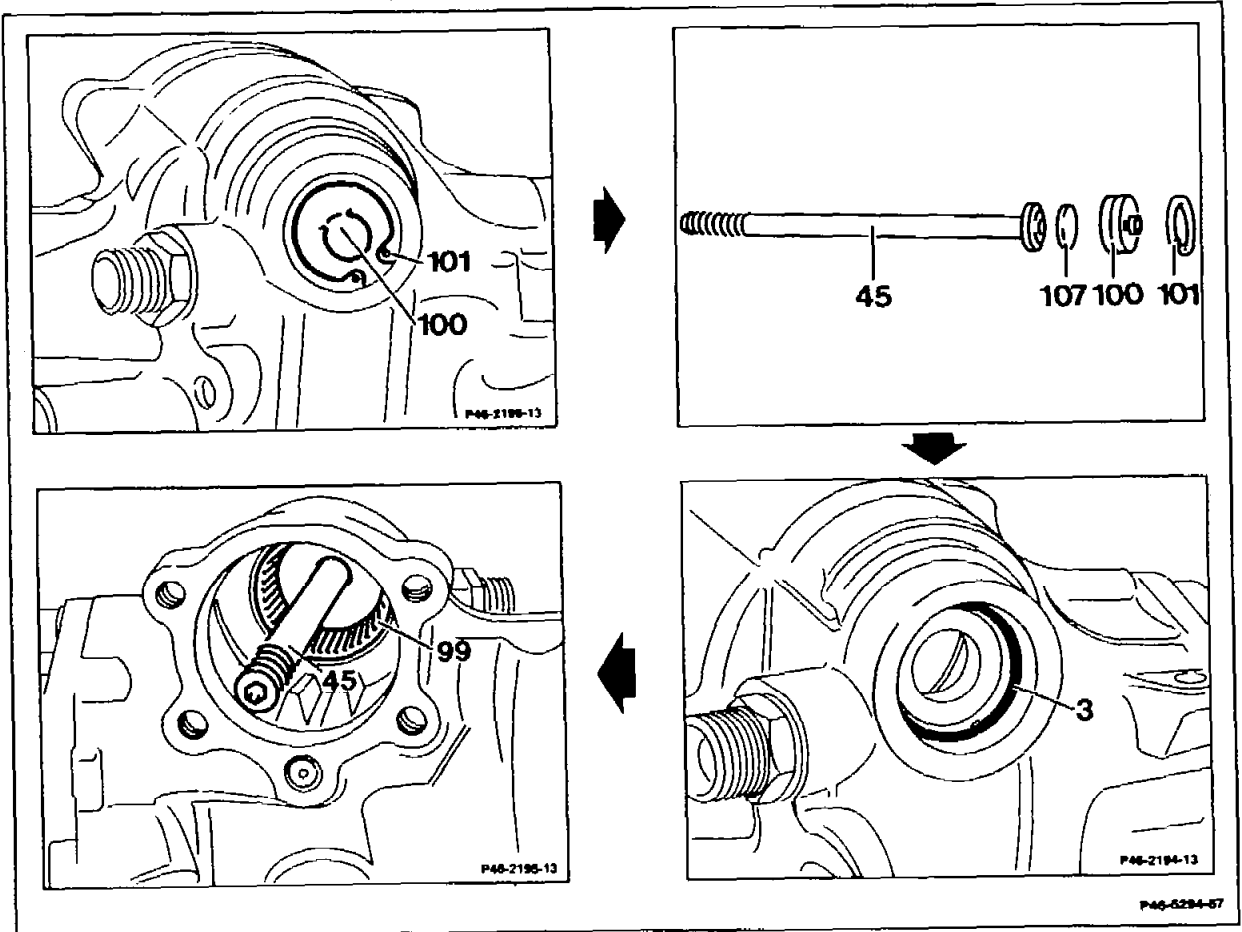
remove and install, replace. Take off adjusting screw (45) and thrust washer (46).

When installing, ensure locking ring (47) is properly seated. The adjusting screw (45) should be installed in the pitman arm shaft (43) free of play, if possible.

To achieve this, thrust washers (46) are available in thicknesses from 2.65–3.10 mm in graduations of 0.05 mm.

Pitman arm shaft (43) examine for signs of damage and wear at the tooth segment and at the bearing points, and also for twist (detectable from displaced teeth).

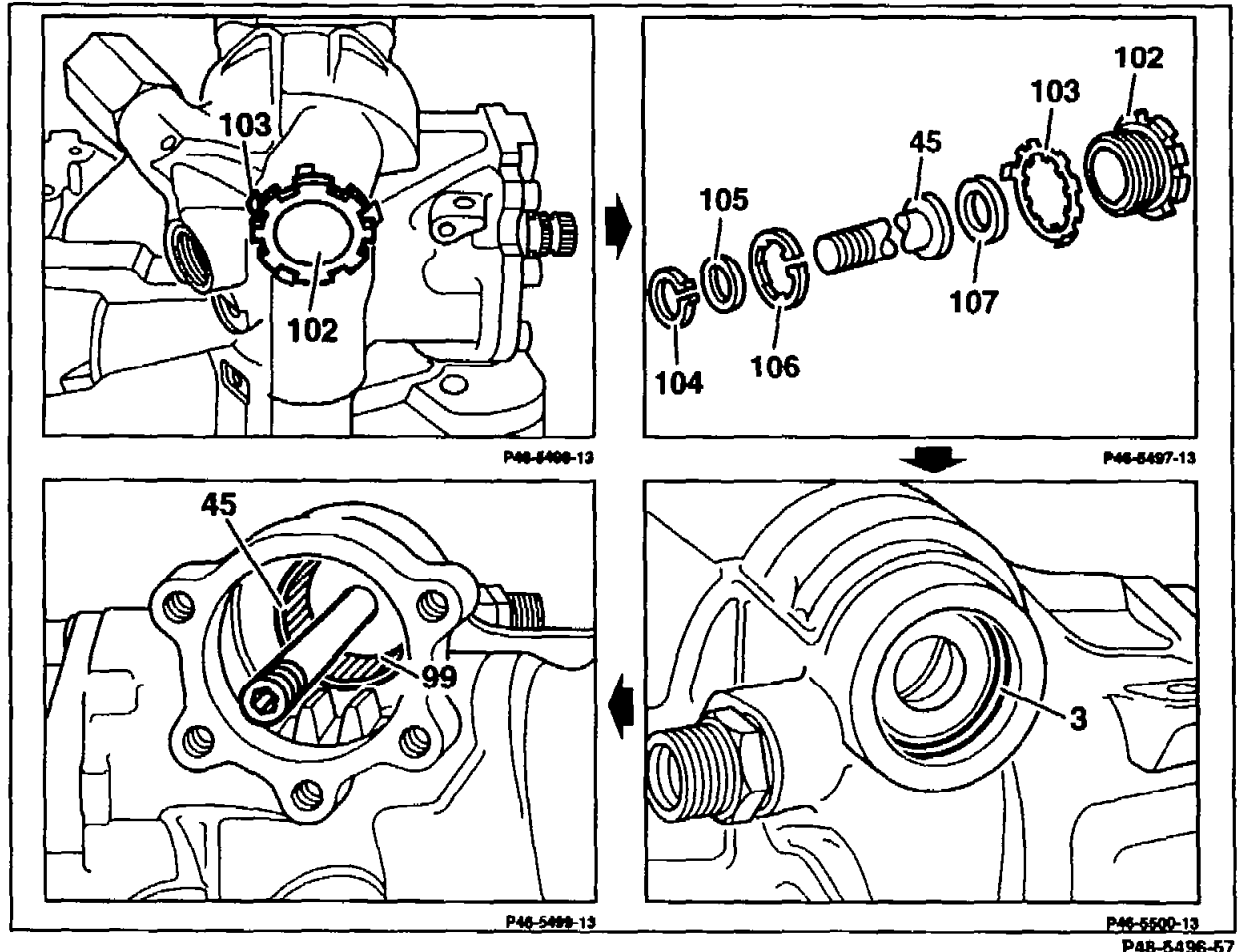
B. Steering gear with adjusting screw below, models 124.034/036, 129



| | |
|----------------------------|--|
| Locking ring (101) | remove and install, replace, if necessary. |
| End cover (100) | press out, press in. |
| Adjusting screw (45) | remove, together with thrust washer (107), if fitted, from the steering gear housing. The adjusting screw (45) should be installed free of play, if possible. Thrust washers (107) are available for this purpose in thicknesses from 0.85–1.15 mm in graduations of 0.05 mm. |
| O-ring (3) | examine for signs of damage and wear, replace, if necessary. |

- Needle bearing (99) in steering gear housing examine for bearing needles which may have dropped out (32 needles), insert bearing needles with grease, if necessary.
- Pitman arm shaft (43) check for damage and wear and for twisting (detectable at displaced teeth) on toothed sector and at the bearing points

C. Steering gear with adjusting screw below, model 140



- Screw plug (102) loosen, tighten, 100 Nm (claw wrench 140 589 02 07 00). Replace locking ring (103)
- Spring washer (104) and spacer washer (105) remove, install at adjusting screw (45). Replace spring washer (104).
- Locking ring (106) remove, replace, install in screw plug (102).

Adjusting screw (45) remove, install at screw plug (102)

Thrust washer (107) remove, install

Note

The adjusting screw (45) should be installed free of play, if possible, in the screw plug (102). Thrust washers (107) are available for this purpose in thicknesses from 2.65–3.10 mm in graduations of 0.05 mm.

O-ring (30) examine for signs of damage and wear, replace, if necessary.

Needle bearing (99) in steering gear housing examine for bearing needles which may have dropped out (32 needles) insert bearing needles with grease, if necessary.

Special tool

