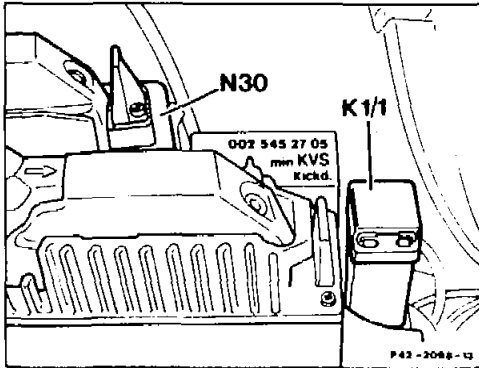
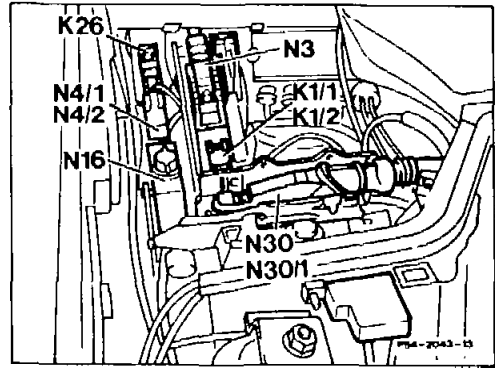


# 42-0711 Removal and installation of overvoltage protection/basic module

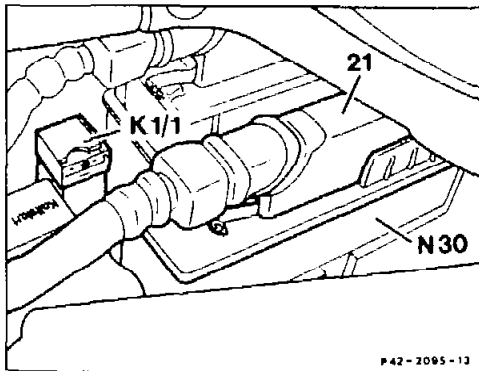
## A. Overvoltage protection (K1/1, K1/2) Model 124 (except 124.034), 129.060/061/066, 201, 202



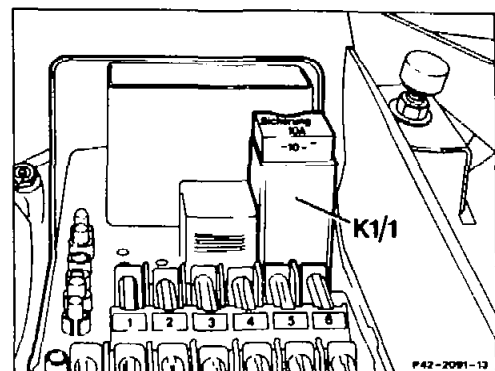
Typ 124



Typ 129

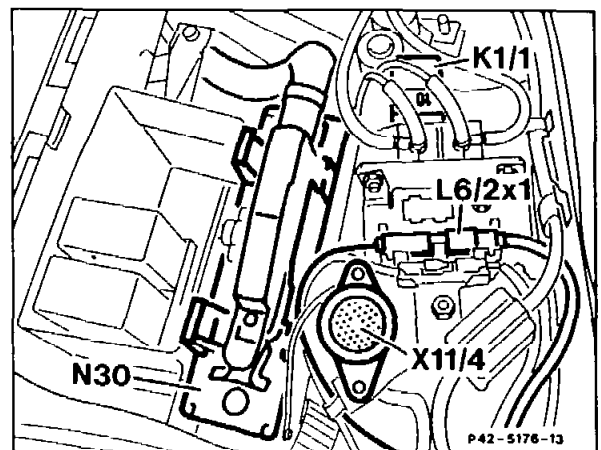


Typ 201 12/84 →



Typ 201→12 /84

P42-0159-57



Model 202

Ignition .....  
Overvoltage protection (K1/1, K1/2) .....

**OFF.**  
with integral relay for voltage supply to ABS control unit (N30), remove, reinstall. Check plug-connection sockets for corrosion, widening, ensure good contact.

**Model 202**

Fault memory .....

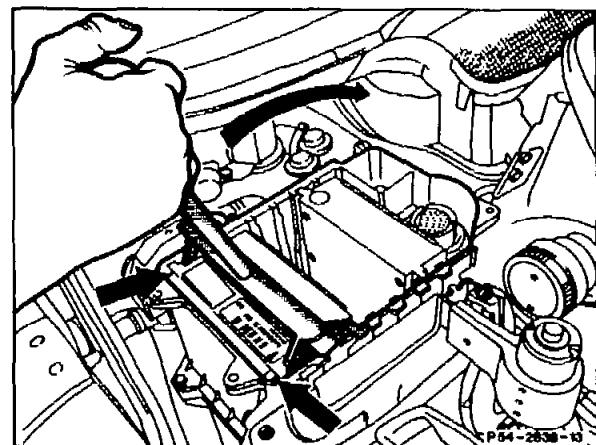
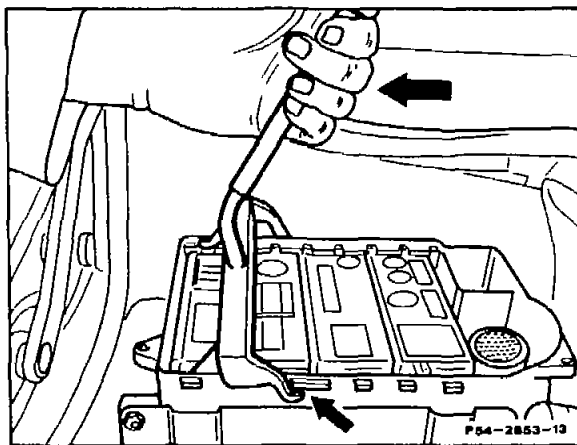
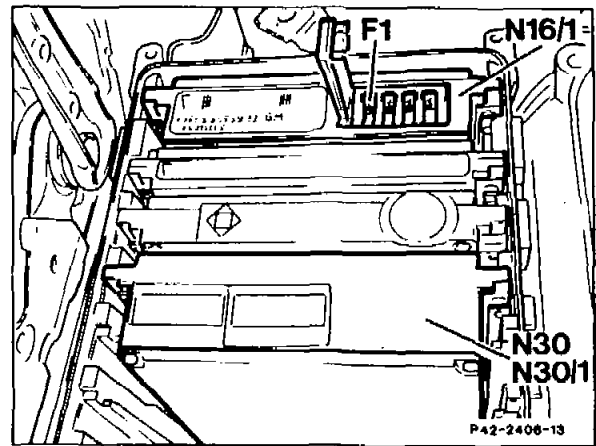
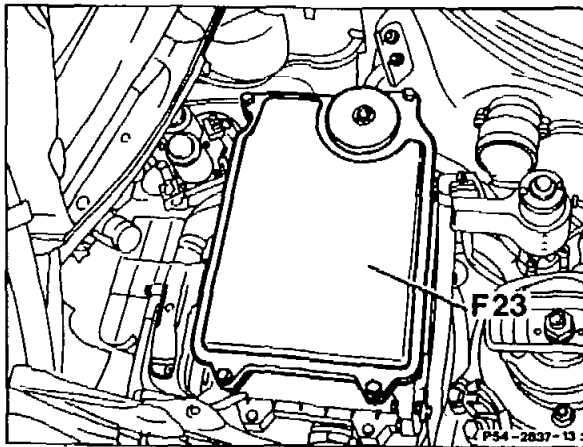
read out, then erase (see Chassis Diagnosis Manual, Volume 2).

**Note**

A 4-pole overvoltage protection was fitted on the model 201 up to December 1984. As of January 1985 depending on the vehicle model

and special equipment, a 5-, 7- or 9-pole overvoltage protection relay has been installed.

**B. Basic module (N16/1), Model 124.034, 129.058/063, 140**



Ignition .....  
 Module box cover (F23) .....  
 Basic module (N16/1) .....  
 Fault memory .....

**OFF.**  
 remove, reinstall.  
 use special tool 140 589 01 33 00 to  
 extract/insert.  
 read out, then erase (see Chassis Diagnosis  
 Manual, Volume 2).

**Special tool**

