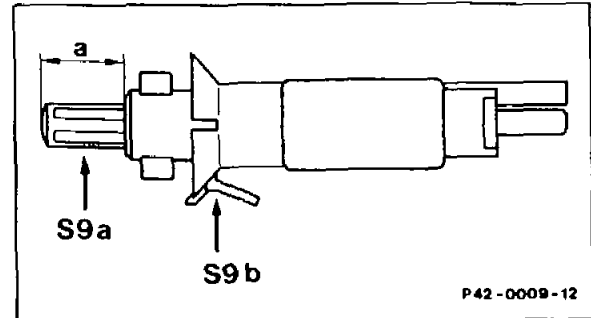
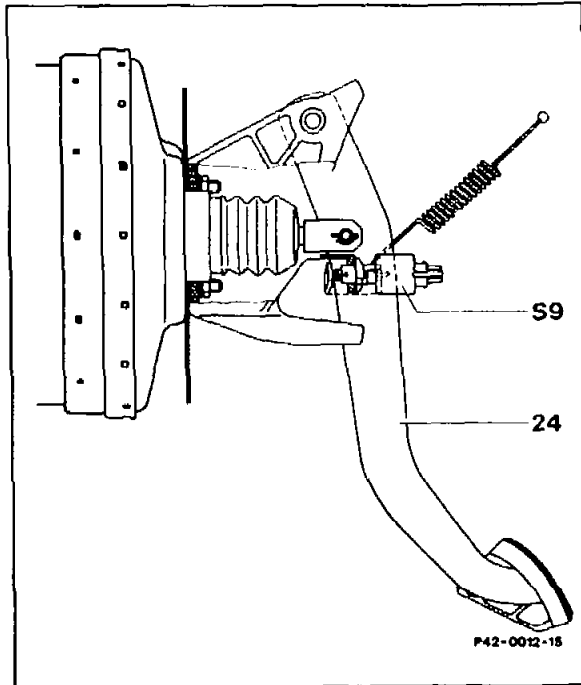


42-0040 Removal and installation of mechanical stop lamp switch

Preceding work:
Remove cover below instrument panel, left (68-150)

Operation no. of operation texts and work units or standard texts
and flat rates
42-6801



Locking lug (S9b)

Actuation pin (S9a)

Brake pedal (24)

press, turn 2-pin stop lamp switch (S9) and pull out.

pull out against stop to obtain maximum travel "a".

press down. Insert switch and turn until locking lug (S9b) engages. Then release brake pedal (24).

Note

The actuation travel is adjusted automatically.

Note

On model 201 up to April 1985 a stop lamp switch was installed which was secured and adjusted by means of two hex. nuts. On this version the stop lamp should come on at a pedal travel between 3- 20 mm measured at the center plate of the pedal.