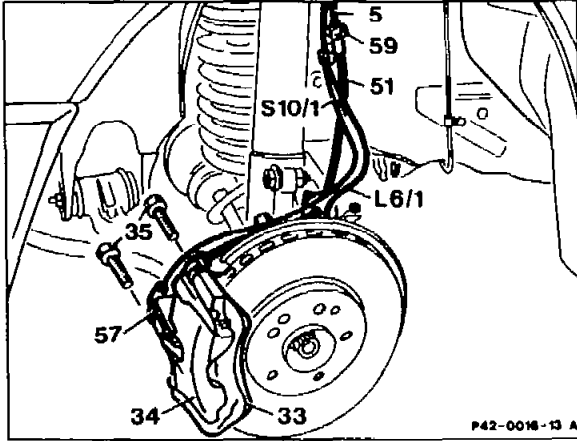


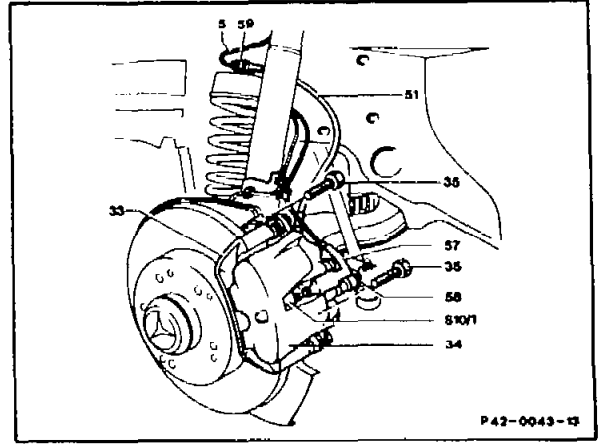
42-0013 Replacing brake hoses

Preceding work:
 Lift vehicle on lifting platform (00-0908).
 Remove wheels (40-0020).

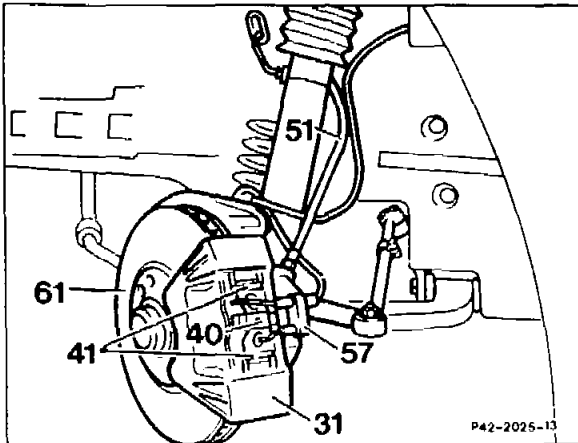
Operation no. of operation texts and work units or standard texts
 and flat rates:
 42-6151, 42-6154, 42-6158



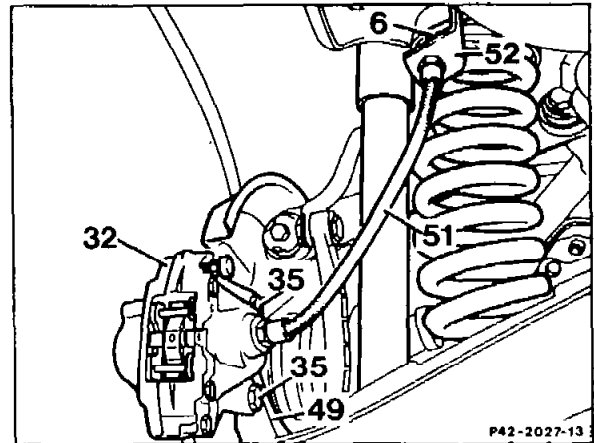
Routing of brake hoses on front axle, vehicles with 4MATIC



Routing of brake hoses on front axle, models 124 and 201 with floating caliper



Routing of brake hoses on front axle, models 124 and 201 with fixed caliper



Routing of brake hoses on rear axle, all models



Do not completely drain brake fluid supply reservoir to prevent air from getting into the brake system. If drained completely, it is necessary to bleed the entire brake system (special bleeding procedure required for vehicles with ASR).

Brake lines (5 and 6)

unscrew, screw on at brake hose (51). Use open box wrench 9 × 11. Counterhold brake hose (51) with open-end wrench. Seal off brake lines (5 and 6) immediately with blind plugs. Tightening torque 14 Nm.

Brake hose (51)

unscrew from brake caliper (31, 32, 33 and 34). Seal off connections immediately with blind plugs. Install only approved brake hoses (51). Do not install brake hoses (51) twisted. Re-route twisted brake hoses (51) correctly by changing position of hexagon on brake hose (51) in 12-point retainer in retaining plate, see installation note. Install brake hose so that it cannot chafe. To check, turn steering wheel from left to right while fully compressing and rebounding the front axle half on each side. Similarly check routing of brake hose (51) of rear wheel brakes in upper and lower positions of the spring link. Tightening torques:

Brake hose (51) to brake caliper (31, 32, 33 and 34) 18 Nm or

9–13 Nm on model 124.036 up to 01/93 and model 201.036 Evolution II ("Brembo" light alloy caliper).

Open box wrench (14 mm) 000 589 76 03 00, torque wrench 000 589 72 21 00.



000 589 76 03 00
00

check correct position after accident repairs,
see installation note.

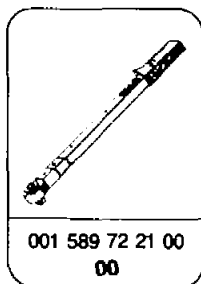
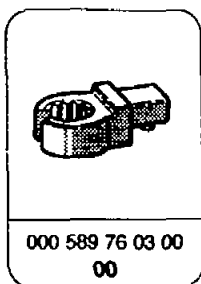


Observe disposal regulations for brake fluid!

001 589 72 21 00
00

Bleed (42-0010).

Special tools



Commercially available tools

Designation

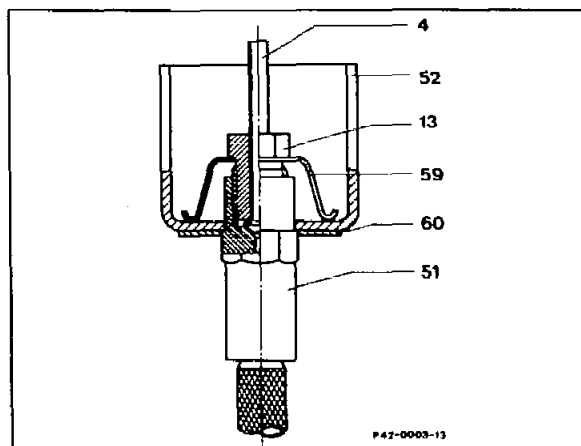
e.g. Messrs., order no.

Open double box wrench 9 × 11

Hazet, D-42804 Remscheid
Order no. 612



Check position of brake hose following accident repairs, because even a minor change in the position of the holder (52) on the frame floor can change the brake hose position resulting in a chafed-through brake hose.



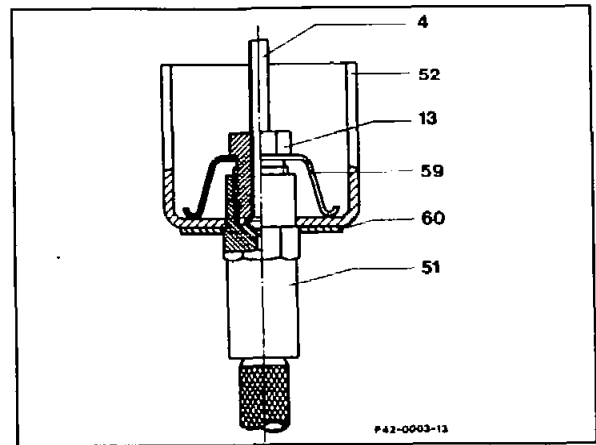
- 4 Brake line
- 13 Union screw
- 51 Brake hose
- 52 Holder on frame floor
- 59 Brake hose holder
- 60 Retaining plate



Brake hose installation note

When connecting ensure that the brake hose is not twisted. A minimum distance of 15 mm to other axle parts must be ensured in all driving situations.

A retaining plate (60) with 12-point retainer is fastened to the holder (52). Insert brake hose (51) into retaining plate (60) so that it does not chafe with the steering turned to the left and right lock and the suspension fully extended or retracted.



- 4 Brake line
- 13 Union screw
- 51 Brake hose
- 52 Holder on frame floor
- 59 Brake hose holder
- 60 Retaining plate

Note on disposal

Dispose of used brake fluid as polluting waste. (See disposal instructions in MBVD Environmental Protection Catalog Chapter 2.6 - pages 2-43). Brake fluid which does not contain oil can be recycled.

This requires that the brake fluid be collected and stored according to type.

For this purpose we recommend using the collection system from the Schröder company described in the MBVD Workshop Equipment Catalog under the following numbers:

- | | | | |
|------|--------|------|-------------------|
| 0210 | 2200 E | 0705 | Collection vessel |
| 0210 | 2200 E | 0701 | Drain vessel |
| 0210 | 2200 E | 0702 | Hand pump |
| 0210 | 2200 E | 0703 | Transport rack |

The same description is given in the Workshop Equipment Manual, Volume 2, Chapter U, Group 00 (22).