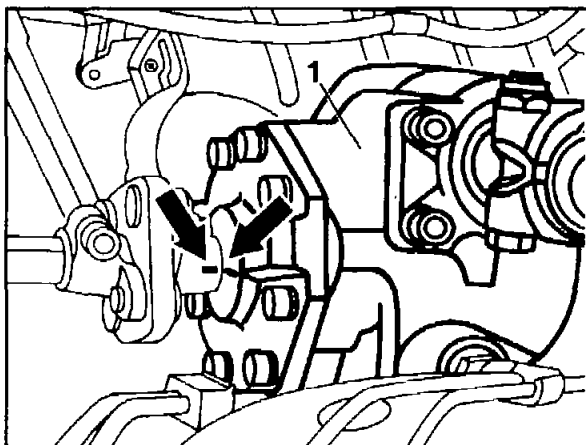


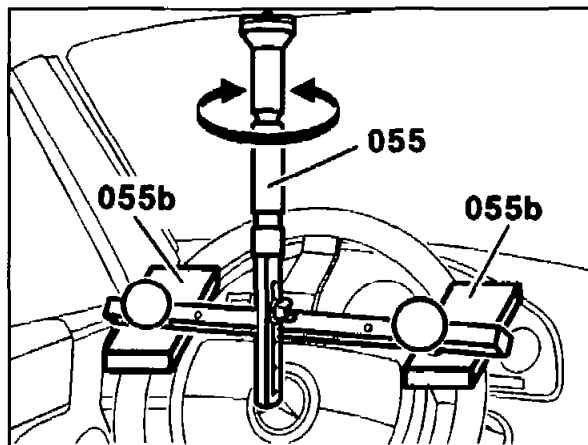
## 40-0323 Checking and adjusting toe-in at front axle

Preceding work:

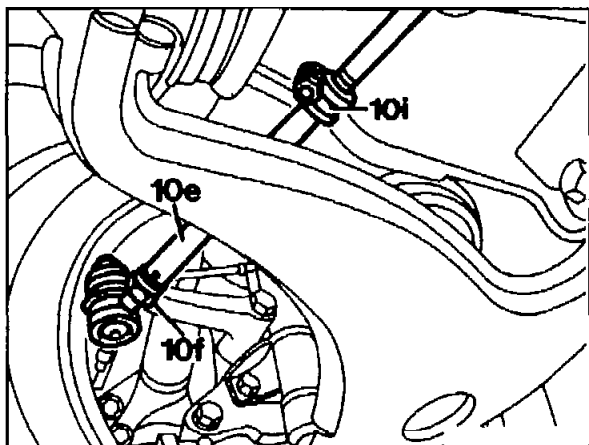
General information on chassis alignment (40-0200).



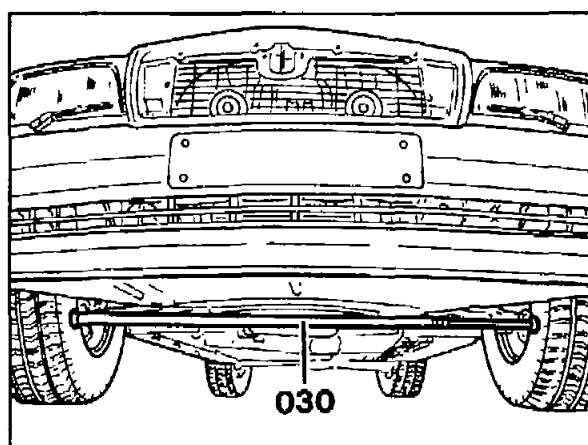
P46-5358-13A



P40-5528-13



P40-5223-13A



P40-5022-13

Steering gear and steering wheel .....

Check at center position, correct if necessary.

**Note**

Observe center position versions.

Steering wheel .....

Arrest in center position with adjusting tool (055) 129 589 01 21 00. Use pads in the case of soft foam steering wheels (055b).

Wheel spreader (030) .....

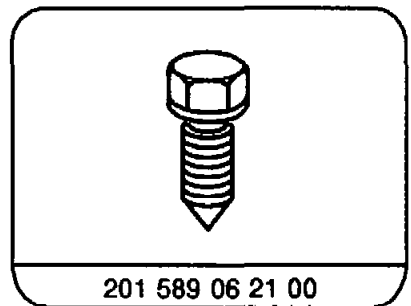
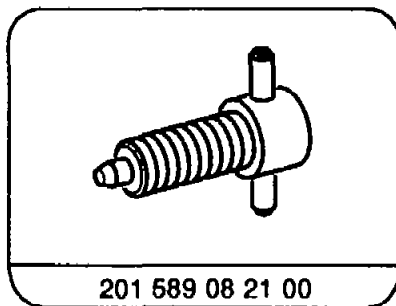
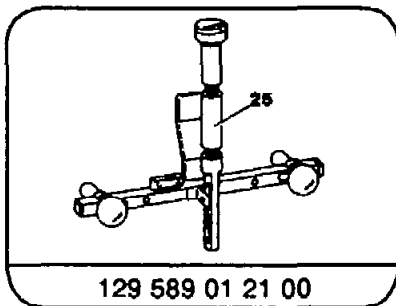
Install on inside of wheels towards front of vehicle.

Toe-in ..... Adjust at the track rods (10) Adjust from the + direction.  
 Tightening torques:  
 Clamp Model 124 20 Nm  
 Clamp Model 201 10 Nm  
 Tapered clamping ring Model 124 50 Nm  
 Tapered clamping ring Model 201 30 Nm

Recheck the swivel range of track rods of approx.  $45^\circ \pm 5^\circ$ .

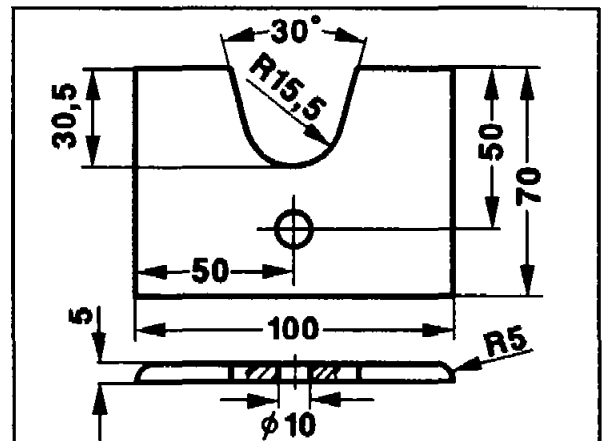
After completing the adjustment work ..... Remove wheel spreader and steering wheel adjustment tool.

**Special tools**



**Shop-made tool**

In order to avoid pressure marks on steering wheels with soft foam base, produce pad and put underneath.



P46-5474-13

**Commercially available tools or testers, MB testers (refer to Workshop Equipment Manual)**

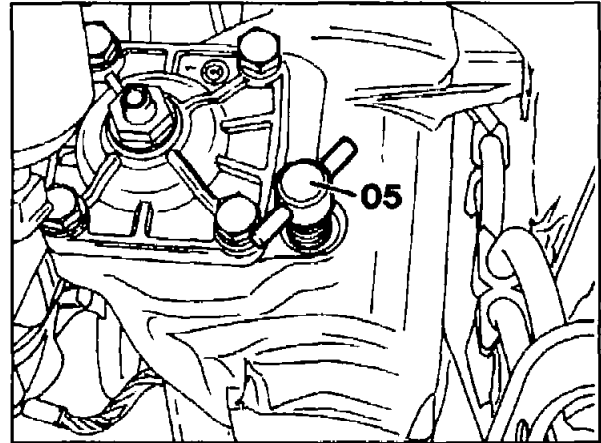
Designation	e.g. Company, order no.
Wheel spreader	Beissbarth Order no. 860 000 883

**Note**

Observe center position versions.

**Model 201 with mechanical steering gear**

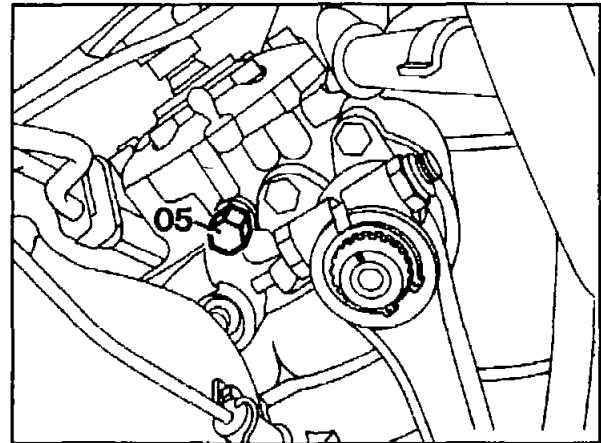
Screw in center position check bolt (05) 201 589 08 21 00.



P46-2502-13

**Models 124 and 201 with power steering gear up to 02/90**

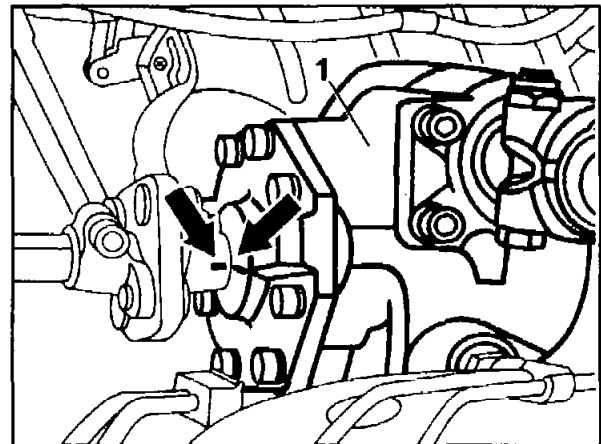
Screw in center position check bolt (05) 201 589 08 21 00



P46-5358-13A

**Models 124 (except for model 124.034/036), 201**

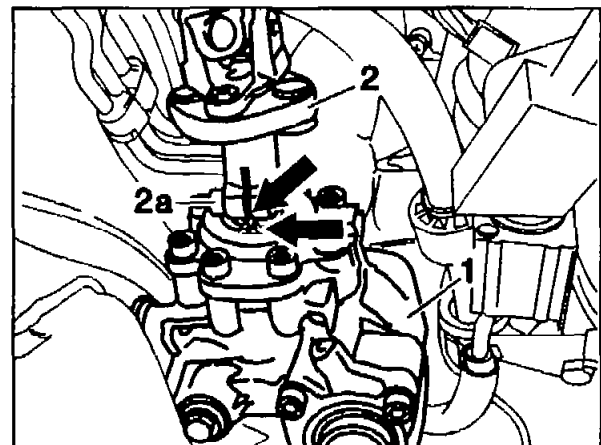
Steering gear external centering marking lines (arrow) aligned as of 02/90.



P46-5358-13A

**Model 124.034/036**

The center position is reached when the separation joint of the steering coupling aligns with the marking notch on the steering gear (arrow).



P46-2609-13