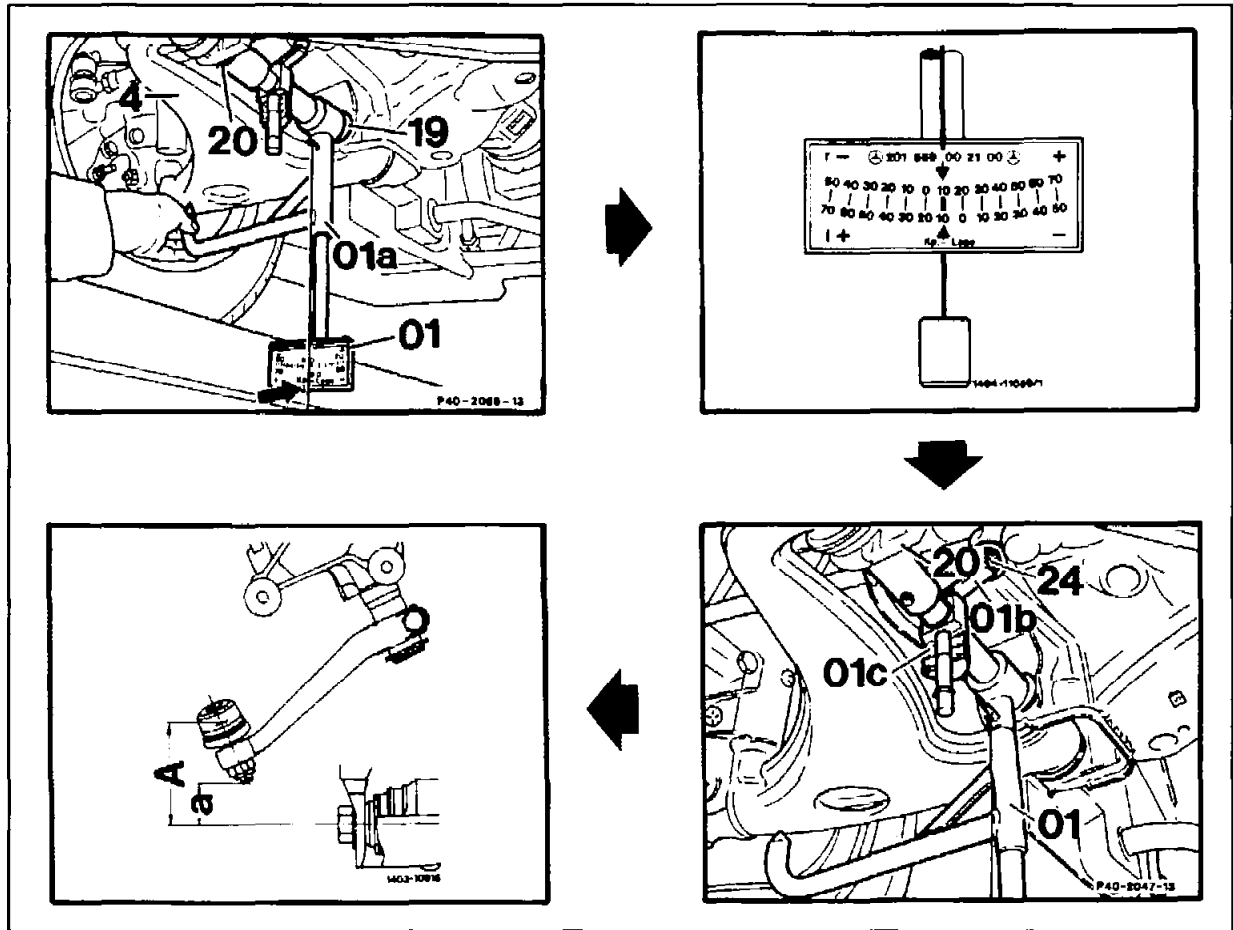


40-0321 Checking and adjusting ball point position

Preceding work:
General information on chassis alignment (40-0200).



P40-0085-57

Measuring instrument (01) 201 589 00 21 00 ...

Insert in the wishbone bolted connection and position so that the plumb bob (arrow) is at "0" on scale.

Ball point position

In the straight-ahead position of the front wheels scan with the slide (01b) on the track rod (24, thread shoulder).

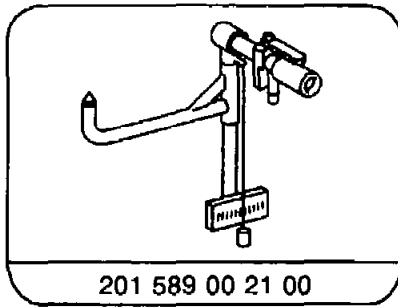
Difference in height "A" = ball point position. The ball point position is not measured directly but via dimension "a"

Correction of ball point position

Perform at idler arm or in exceptional cases at pitman arm. If the ball point position cannot be adjusted, check bearing console of idler arm (62-185).



Special tool



Note

The ball point position can be adjusted at the idler arm (26) by inserting an additional washer or by removing the washer (26a).

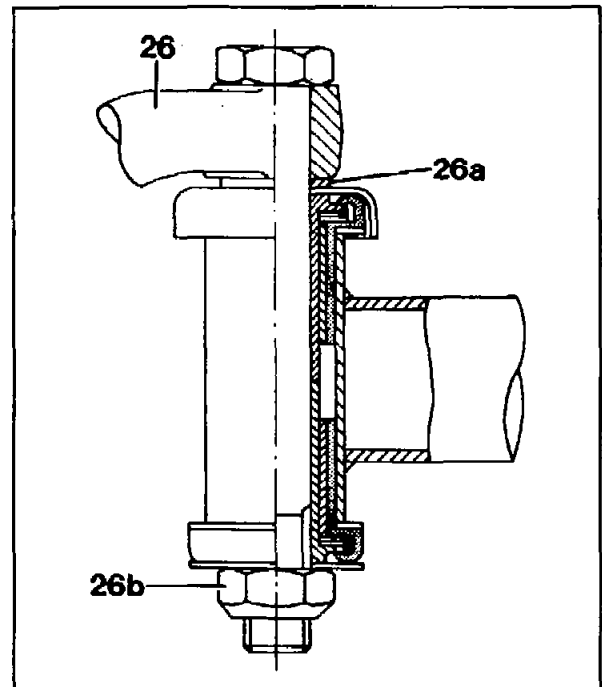
Tightening torque of hexagon nut (26b):

Model 124 150 Nm

Model 201 110 Nm

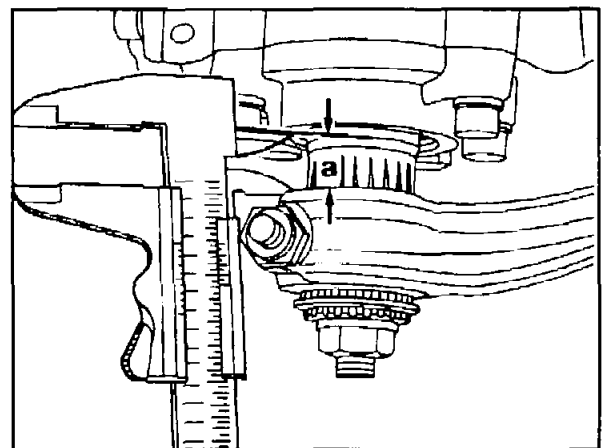
7

After tightening the hexagon nut (26b), check whether the thread of the hexagon bolt projects at least 0.5 mm beyond the hexagon nut.



P46-5355-15A

In exceptional cases, the ball point position can be corrected at the pitman arm by shifting the arm on the splines of the pitman shaft.



P46-5357-13