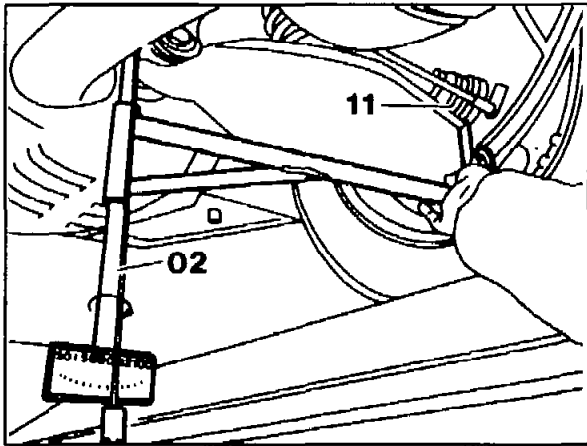


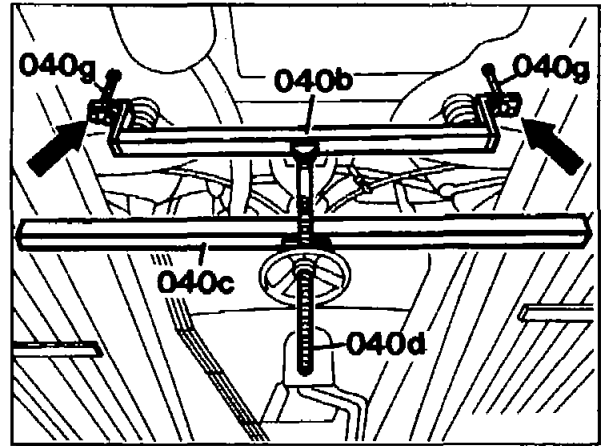
## 40-0310 Checking and adjusting control point of level control

Preceding work:

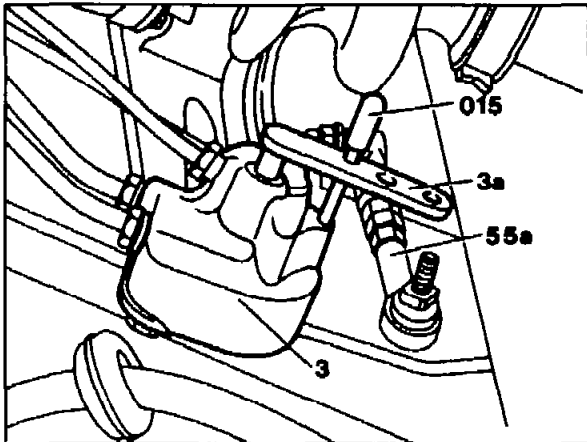
Checking and adjusting vehicle level at front and rear axles (40-0300).



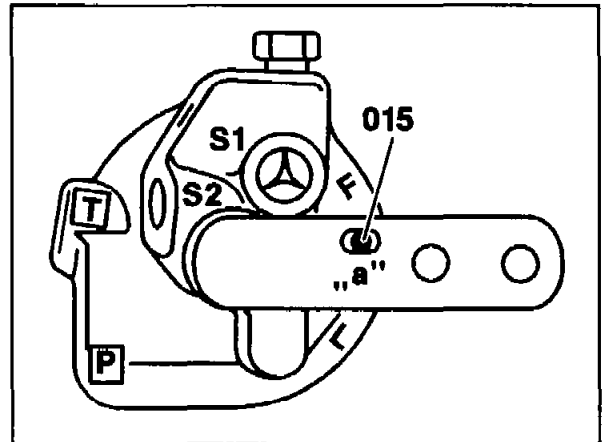
P40-5062-13



P40-5217-13A



P40-5060-13



P32-2344-13C

Oil level .....

Check and, if necessary, correct in oil reservoir of level control.

Level measuring instrument (02)

201 589 01 21 00 .....

Position at inner pivot point of spring link and measure control point with contact arm at rear axle shaft.

Vehicle rear end .....

Pull down to the specified control point (simulate load condition). For this purpose, hook pulling device (040b) with the mounting pins (040g) into the rear mount of the rear axle carrier on the frame floor and lock (arrows).



- 4 mm adjusting pin (015) ..... Insert into hole "a" in level controller adjusting lever. If adjustment is **correct**, the adjusting pin can be inserted into the locating hole in the level controller.
- Connecting rod (55) ..... Correct if adjustment is **not** correct.  
For this purpose loosen both lock nuts, and shorten or lengthen the connecting rod with the adjusting screw until the lever of the level controller (3a) can be located with the 4 mm adjusting pin on the level controller (hole "a").
- 4 mm adjusting pin on level controller ..... Pull out.
- Vehicle rear end ..... Relieve of load.
- Headlamp adjustment ..... Check, correct if necessary (82-0040).

### Special tools

