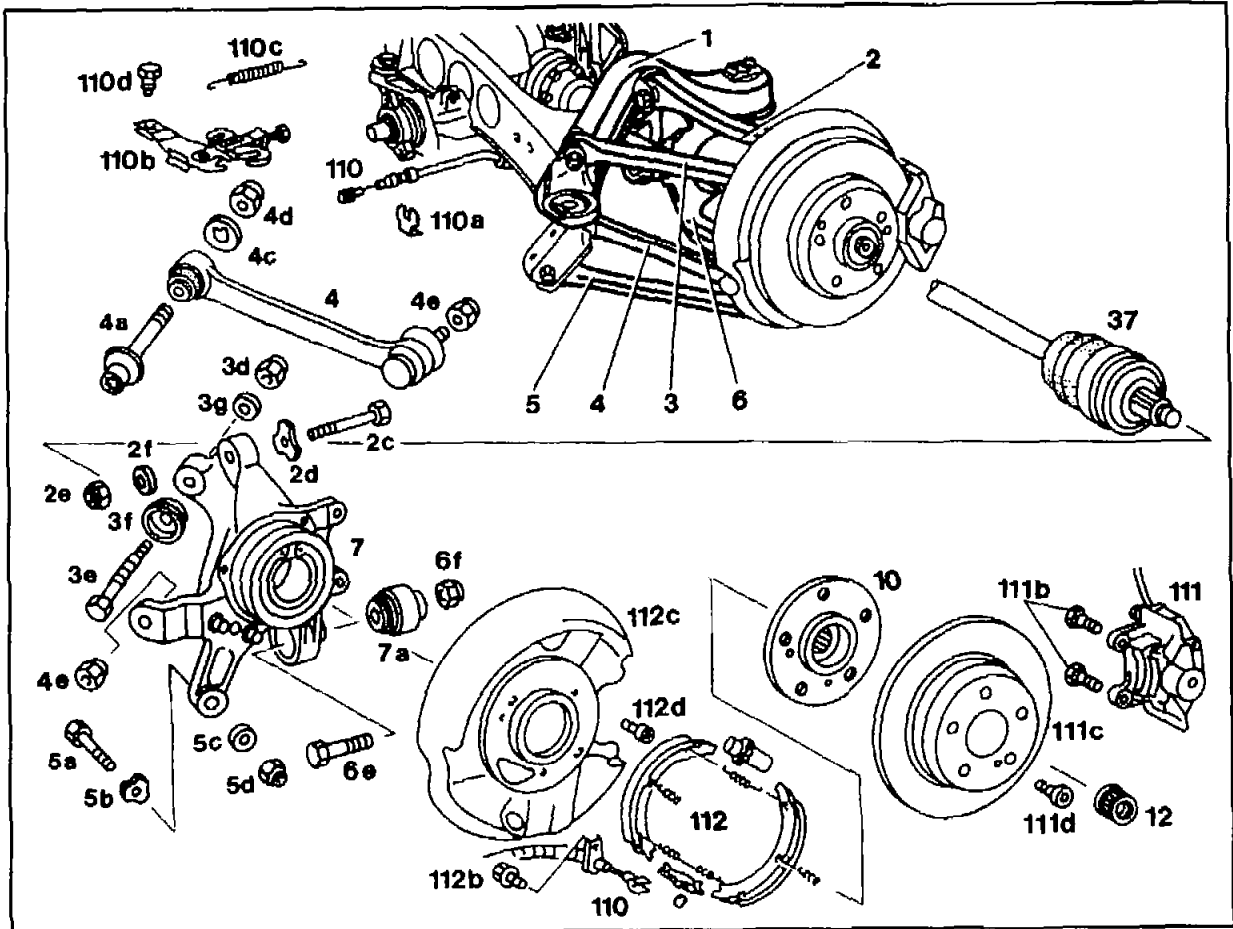


## 35-115 Removal and Installation of wheel carrier

Preceding work:  
Removal and installation of wheels 40-110.

Operation no. of operation texts and work units  
or standard texts and flat rates:  
35-0263, 35-0264, 35-0265.



P35-5508-57A

Twelve-point collar nut (12) .....

Unscrew, replace, screw on. Lubricate thread and bearing surface of twelve-point collar nut, secure (numbers 1 and 2). Tightening torque 200 - 240 Nm.

Torque wrench 001 589 74 21 00. Socket wrench insert 30 mm 126 589 02 09 00.

Rear axle shafts (37) .....

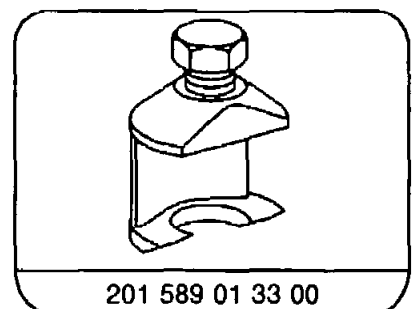
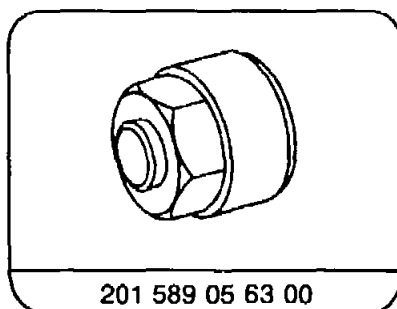
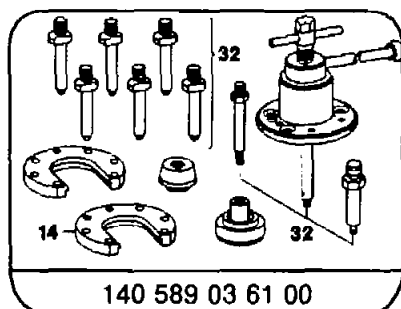
press tightly seated rear axle shaft out of rear axle shaft flange with extractor/pulling-in equipment 140 589 03 61 00, pull in (number 2).

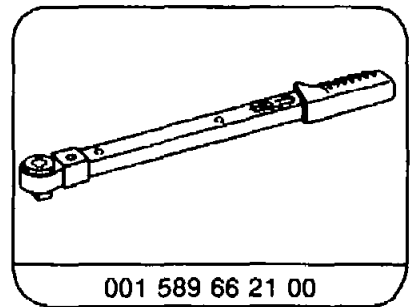
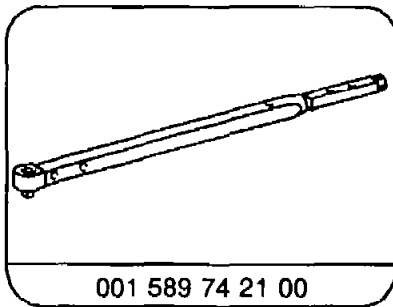
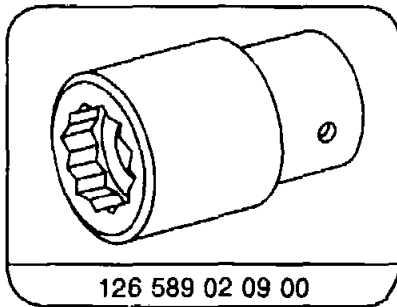
Cables (110) of parking brake .....	Disengage, engage at intermediate lever (110b) (42-525, number 3).
Brake caliper (111) .....	Remove, install (42-120, number 4). Secure brake caliper to prevent it falling down. On vehicles with ASR, do not subject electrical cable of brake lining wear indicator to tension. Replace self-locking hexagon bolts (111b). Mount brake hose or ASR cable without twisting. Torque wrench 001 589 66 21 00.
Brake disk (111c) .....	Remove, install (42-228, number 5). Replace self-locking hexagon socket bolt (111d).
Brake shoes of parking brake (112) .....	Remove, install (42-530, number 6). Remove, install cable (110) at wheel carrier (number 7).
Brake shield (112c) .....	Loosen, secure at wheel carrier (7). Replace self-locking hexagon socket bolts (112d) (number 8).
Camber strut (2) .....	Remove, install only at wheel carrier (7). Replace self-locking hexagon nut (2e). Only tighten when rear axle shaft is horizontal (number 9). Tightening torque 45 Nm. Torque wrench 001 589 66 21 00.
Torque strut (3) .....	Remove, install at wheel carrier (7). Replace self-locking hexagon nut (3d) (number 10, 11). Only tighten when rear axle shaft is horizontal. Tightening torque with hexagon bolt M10 x 1 = 45 Nm, with M12x1.5 = 70 Nm. Torque wrench 001 589 66 21 00.
Tie rod (4) .....	Remove, install (35-112). Using puller 201 589 01 33 00 and thrust piece 201 589 05 63 00, press tie rod out of wheel carrier. Mark position of eccentric bolt (4a) in relation to rear axle bracket (numbers 12 and 15).



	Replace self-locking hexagon nuts (4e and 4d). Only tighten when rear axle shaft is horizontal. Tightening torque on wheel carrier 35 Nm, on rear axle bracket 35 Nm. Check toe-in, adjust if required. Torque wrench 001 589 66 21 00.
Thrust arm (5) .....	Remove, install at wheel carrier (7) (35–113). Replace self-locking hexagon nut (5d). Press tensioning sleeve out of wheel carrier (7) (number 16, 17). Only tighten when rear axle shaft is horizontal. Tightening torque 45 Nm. Torque wrench 001 589 66 21 00.
Spring link (6) .....	Remove, install at wheel carrier (7) (35–114, number 18). Replace self-locking hexagon nut (6f). Only tighten when rear axle shaft is horizontal. When installing the spring link, do not damage the cup seal of the spring link. Tightening torque 120 Nm. Torque wrench 001 589 66 21 00.
Wheel carrier (7) .....	Remove, install, replace supporting joint (35–116, numbers 19, 20).
Inclination of wheel carrier and toe-in .....	Check, adjust if required (40–330, number 21).

### Special tools



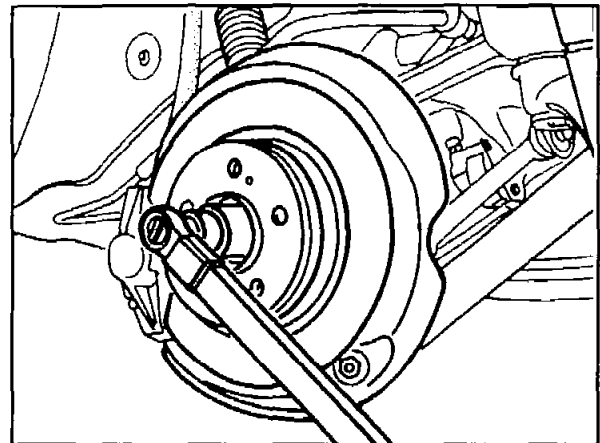


### Note

The wheel carrier can be removed or installed when the rear axle is installed.

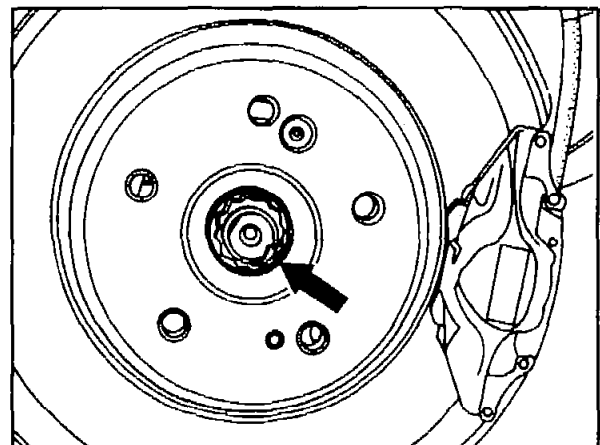
### Removal, Installation

1 Apply parking brake. Loosen twelve-point collar nut for attaching rear axle shaft using socket wrench 30 mm 126 589 02 09 00 and remove.



### Installation note

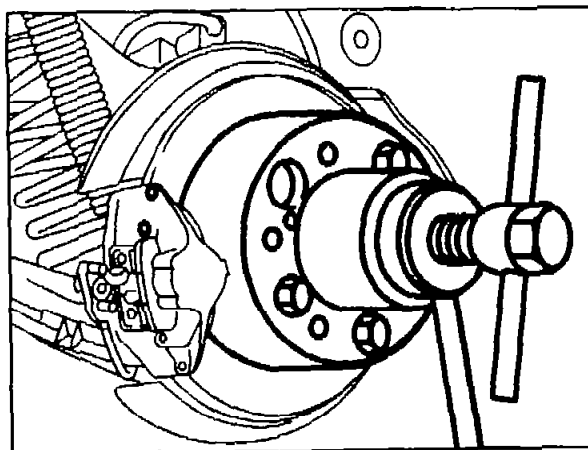
Replace twelve-point collar nut. Lubricate thread and contact surface of twelve-point collar nut. Secure twelve-point collar nut after tightening (arrow). Tightening torque 200–240 Nm. Socket wrench insert 30 mm 126 589 02 09 00. Torque wrench 001 589 74 21 00.



2 Press tight seated rear axle shaft out of rear axle shaft flange with extractor/pulling-in equipment 140 589 03 61 00, part 26.

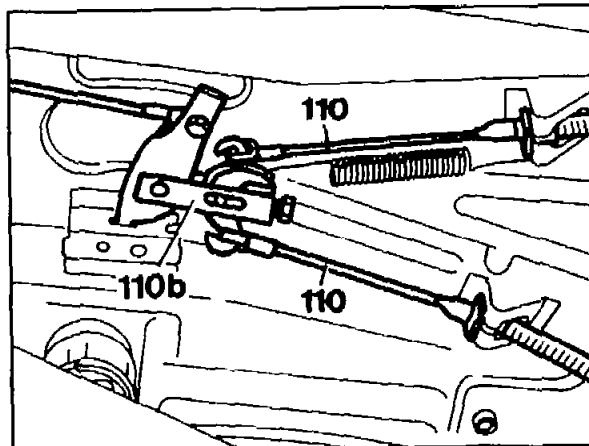
**Note**

Observe locating pin if brake caliper and brake disc have already been removed.



P35-5897-13

3 Disengage cable (110) of parking brake at intermediate lever (110b) (42-525).



P35-5460-13

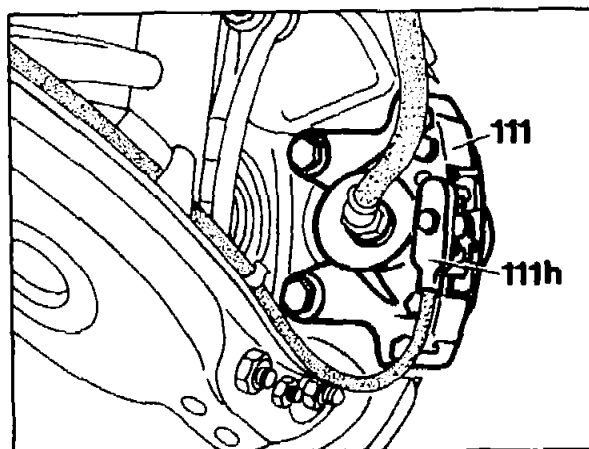
4 Remove brake caliper (111) (42-120). Secure brake caliper to prevent it from falling down.

**On vehicles with ASR**

Do not tension electrical cable of brake lining wear indicator (111h).

**Installation note**

Replace self-locking hexagon bolts. Assemble brake hose or ASR cable without twisting. Torque wrench 001 589 66 21 00.

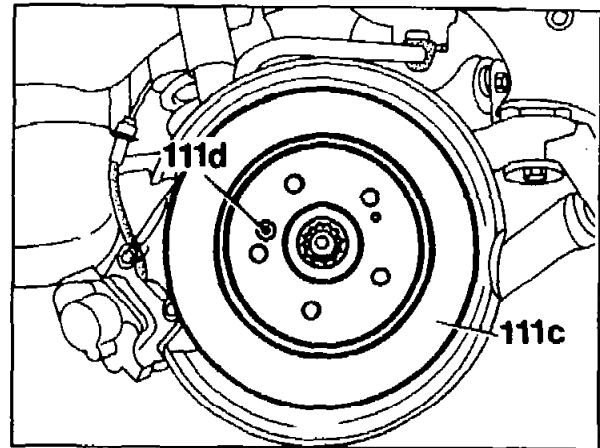


P35-5461-13

5 Remove, install brake disk (111c) (42-228).

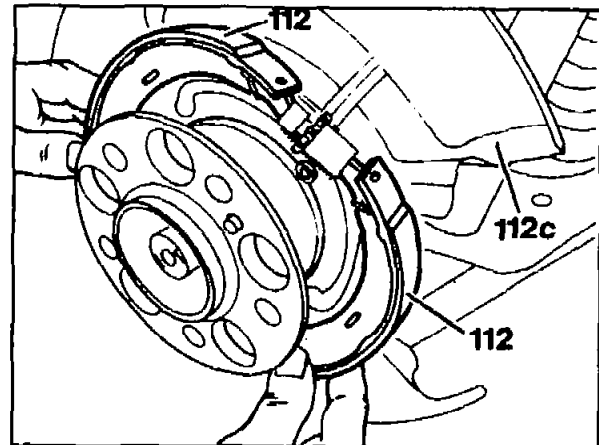
**Installation note**

Replace self-locking hexagon bolt (111d).



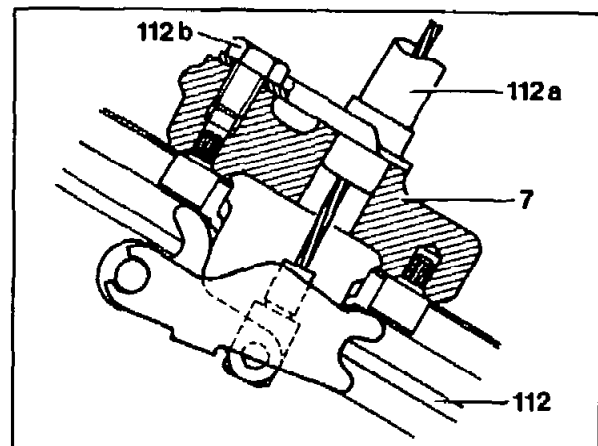
P35-5518-13

6 Remove, install brake shoes (112) of parking brake (42-530).



P35-5519-13

7 Remove cable (112a) of parking brake at wheel carrier (7).

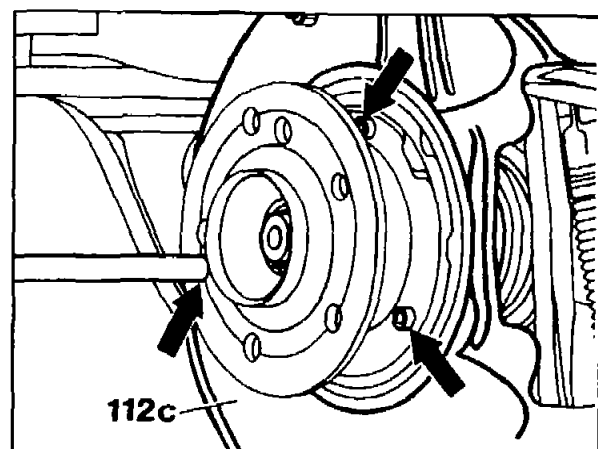


P35-5520-13

8 Unscrew hexagon socket bolts (arrows) for attaching the brake shield (112c).

**Installation note**

Replace self-locking hexagon bolts. Check for damage and good seating.



P35-5521-13

### Note

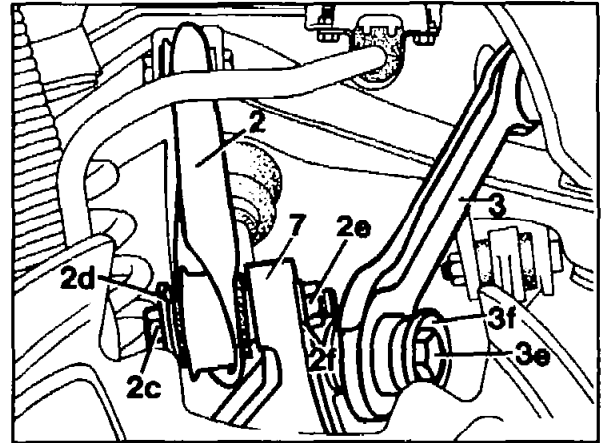
Turn the shield so that the attachment points of the struts, tie rod and spring link are more accessible.

9 Unscrew self-locking hexagon nut (2e) of camber strut (2) on wheel carrier and remove washer (2f), shaped washer (2d) and hexagon bolt (2c). Press tensioning sleeve out of wheel carrier.

### Installation note

Replace self-locking hexagon nut (2e). Mount shaped washer (2d) on the rubber bearing side and washer (2f) on the wheel carrier side. Only tighten when the rear axle shaft is horizontal. Tightening torque 45 Nm.

Torque wrench 001 589 66 21 00.



P35-5522-13

10 Unscrew self-locking hexagon nut of torque strut (3) on wheel carrier. Remove washer, shaped washer (3f) and hexagon bolt (3e).

### Installation note

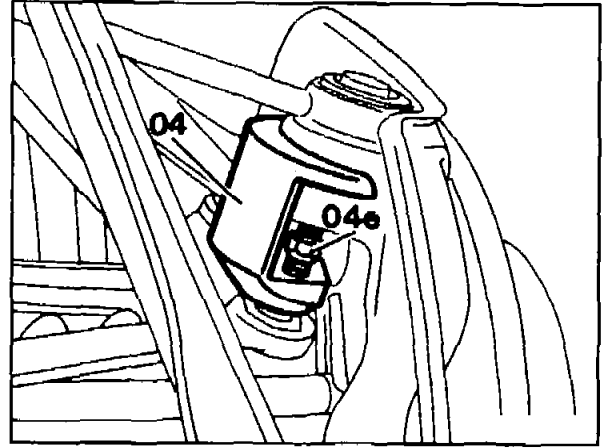
Replace self-locking hexagon nut. Mount shaped washer (3f) on the rubber bearing side and the washer on the wheel carrier side. Only tighten when rear axle shaft is horizontal. Tightening torque with M10x1 hexagon bolt 45 Nm, with M12x1.5 hexagon bolt 70 Nm.

Torque wrench 001 589 66 21 00.

11 Press torque strut upwards.

12 Loosen self-locking hexagon nut of tie rod on wheel carrier and remove.

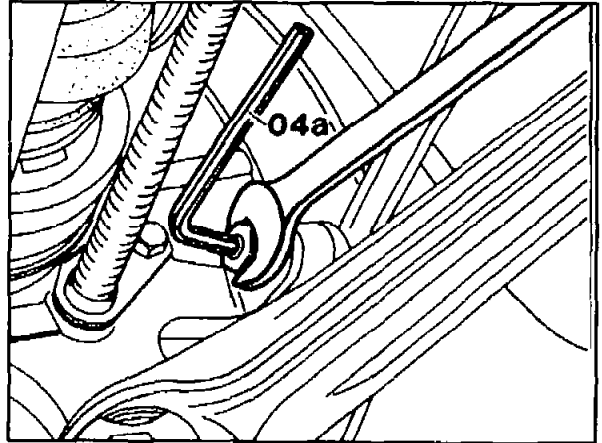
13 Using puller (04) 201 589 01 33 00 press tie rod out of wheel carrier. To do this, use thrust piece 201 589 05 63 00 to avoid damage to the thread on the ball pin.



P35-5595-13

**Installation note**

Replace self-locking hexagon nut. Clean conical seat of ball pin in wheel carrier, press ball pin securely into taper and tighten self-locking hexagon nut. Steady ball pin using hexagon socket wrench (04a), tightening torque 35 Nm. Torque wrench 001 589 66 21 00.



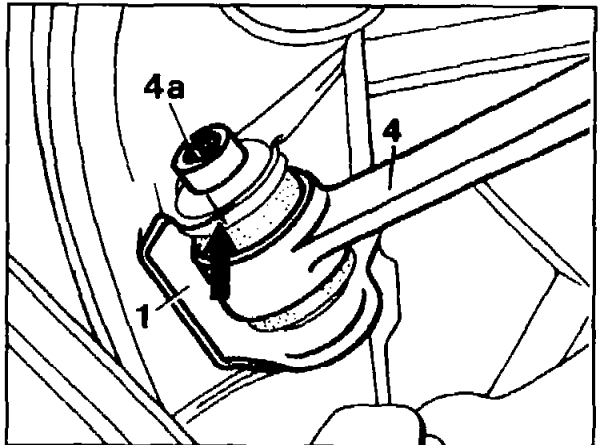
P35-5493-13

14 Mark position of eccentric bolt (4a) to rear axle bracket (1) (arrow).

15 Unscrew self-locking hexagon nut of tie rod at rear axle bracket and remove complete.

**Installation note**

Replace self-locking hexagon nut. Tightening torque 70 Nm. Torque wrench 001 589 66 21 00



P35-5494-13



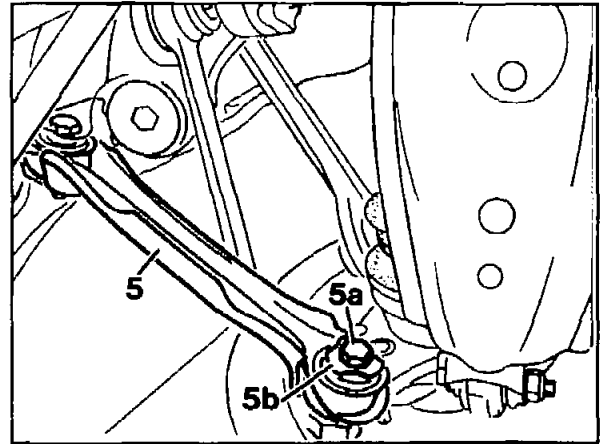
16 Unscrew self-locking hexagon nut of torque arm (5) on wheel carrier and remove with washer, shaped washer (5b) and hexagon bolt (5a).

17 Press tensioning sleeve out of wheel carrier.

**Installation note**

Replace self-locking hexagon nut. Only tighten when rear axle shaft is horizontal. Tightening torque 45 Nm.

Torque wrench 001 589 66 21 00.



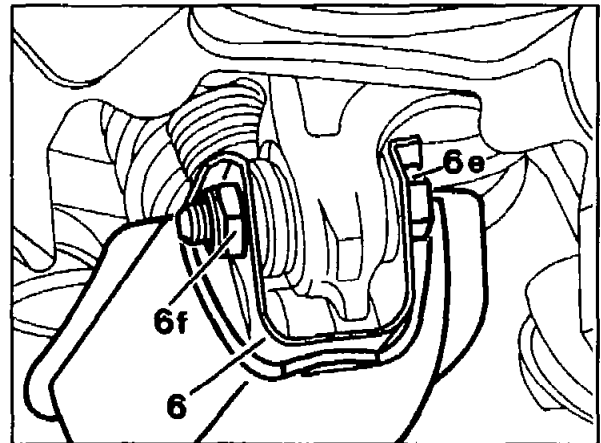
P35-5523-13

18 Remove spring link (6) at wheel carrier (35-114).

**Installation note**

Replace self-locking hexagon nut (6f). Only tighten when rear axle shaft is horizontal. When installing the spring link, do not damage the cup seal of the supporting joint. Tightening torque 120 Nm.

Torque wrench 001 589 66 21 00.



P35-5524-13

19 Detach complete wheel carrier from rear axle shaft and remove.

20 Replace supporting joint (35-116).

21 Check toe-in and adjust if required (40-330).

22 Install in reverse sequence.