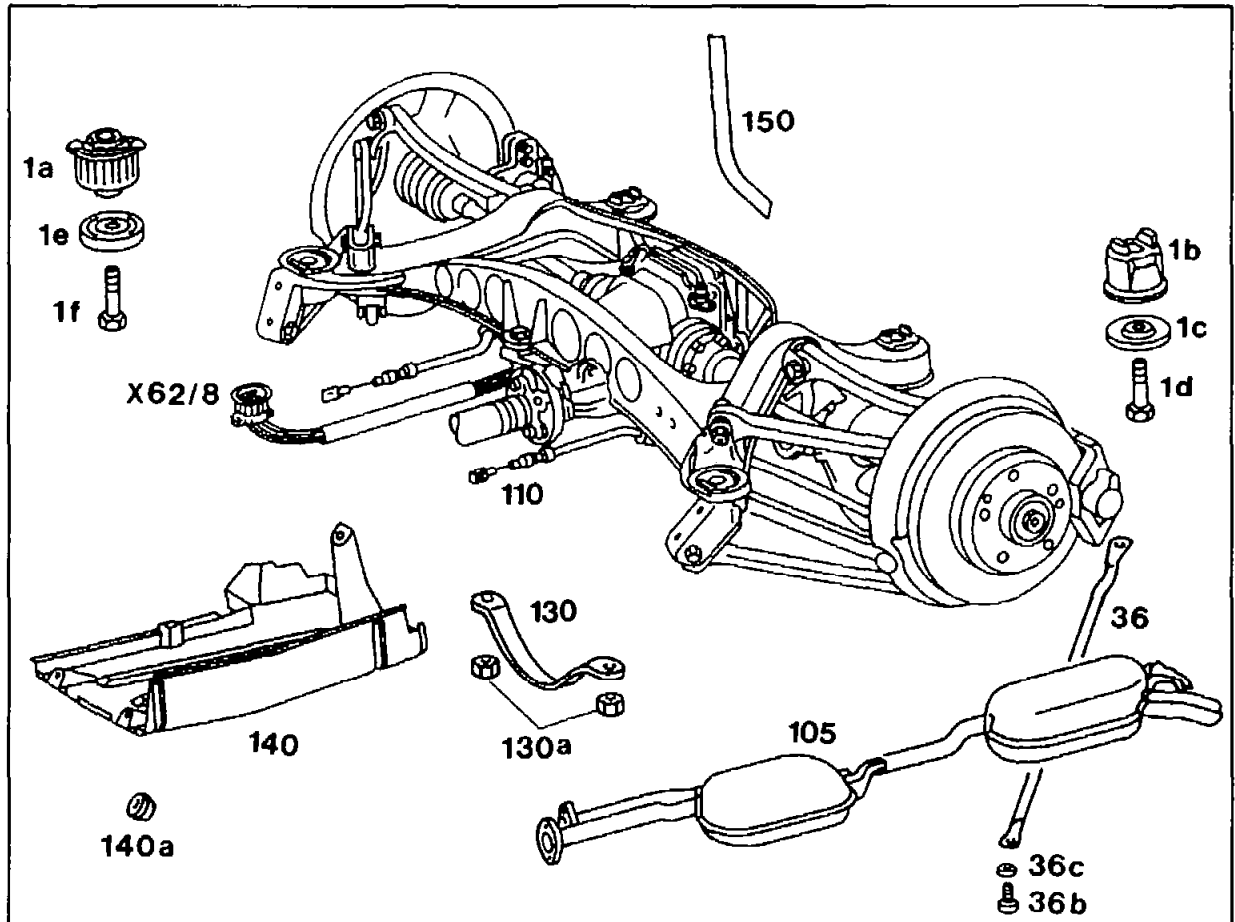


## 35-040 Removal and installation of front and rear rubber mounts of rear axle suspension

Preceding work:  
Remove and refit wheels 40-110.

Operation no. of operation texts and work units  
or standard texts and flat rates:



P35-5450-57

### Model 124.06 (convertible)

Cross brace (36) .....


Remove, install on left and right. Replace self-locking polygon head bolts (36b), tightening torque 120 Nm (number 1).  
Torque wrench 001 589 66 21 00.



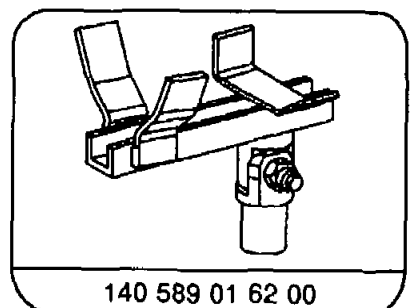
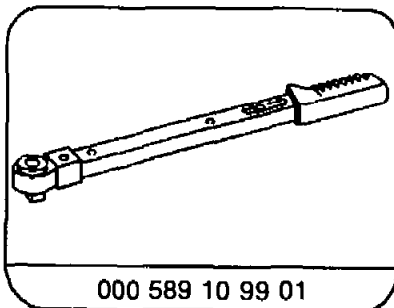
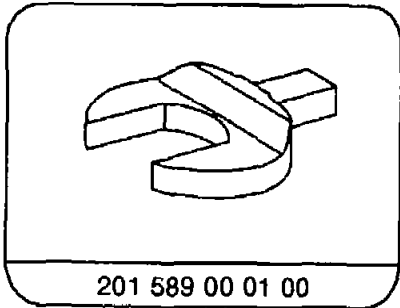
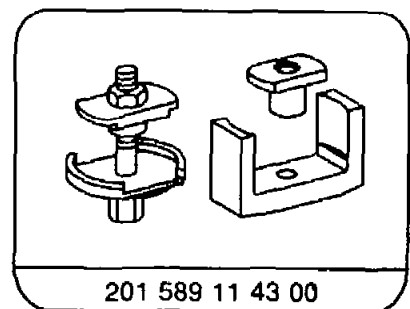
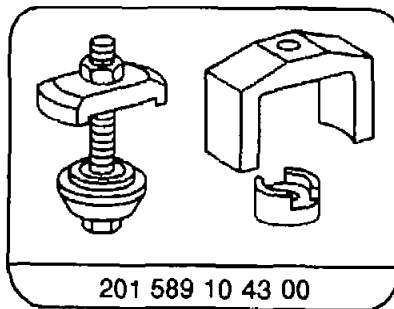
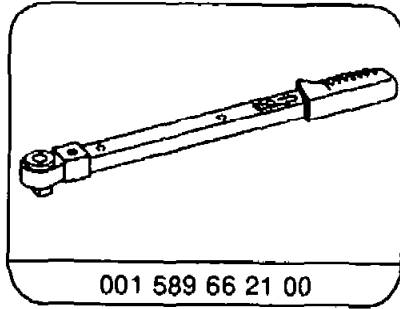
When working on the cross braces, the body must be jacked up without any distortion. A twin-pillar hoist can be used for this.

Exhaust system (105) .....

Disengage, engage rubber rings and support exhaust system (number 2). Check rubber rings for damage, replace if required.

Cover for fuel pump assembly (140) .....	Remove, install (number 3).
Bracket (130) for seat belt attachment .....	Remove, install. Tightening torque 210 Nm Torque wrench 000 589 10 99 01 (number 4).
Water drain hose (150) .....	Press out, press in at rear axle bracket (number 5, 5a).
Rear axle .....	Support at rear axle center assembly using vehicle jack or pit lift, pick-up attachment 140 589 01 62 00 (number 6).
Self-locking hexagon bolts (1f, 1d) .....	Loosen, tighten on one side of rear axle bracket. Remove bolts and stop plates. Re-cut thread for hexagon bolts in frame floor. Replace self-locking hexagon bolts, tightening torque 70 Nm (number 7). Torque wrench 001 589 66 21 00.
	
	When lowering the right side, ensure that the fuel hose and the ABS/ASR line are not subjected to excessive tension. On vehicles with level control, the level controller must not contact the rear axle bracket.
Rear axle (1) .....	Lower until the extractor tool can be installed (number 8).
Front/rear rubber mount (1a/ 1b) .....	Withdraw, pull in, replace. Coat rubber mount with Naphtolen H lubricant part no. 000 989 14 60. Re-cut thread on frame floor. Extractor/pulling-in equipment for front rubber mount 201 589 10 43 00, and for rear rubber mount 201 589 11 43 00 (numbers 9, 10).

## Special tools



### Note

The rubber mounts can also be removed and installed when the rear axle is installed. Rubber mounts must only be replaced in sets.

### Removal, Installation

#### 1 Model 124.06 (convertible)

Remove cross braces on frame floor (arrows).

#### Installation note

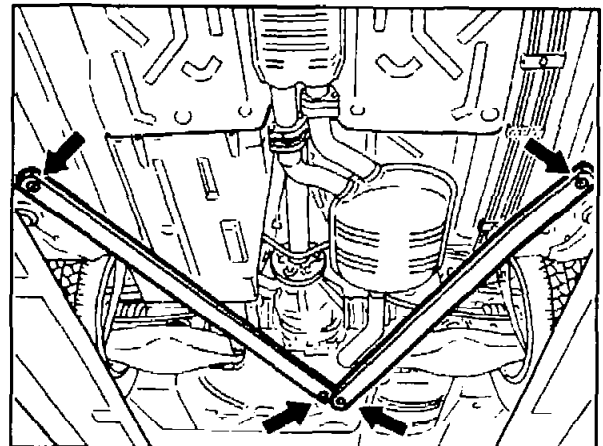
Replace self-locking polygon head bolts.

Tightening torque 120 Nm.

Torque wrench 001 589 66 21 00.



The body must be jacked up without any distortion when working on the cross braces. A twin-pillar hoist can be used for this.

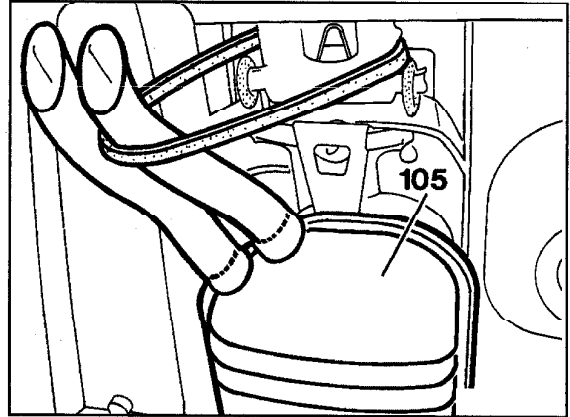


P80-5066-13

2 Disengage rubber rings of exhaust system (105) and support exhaust system.

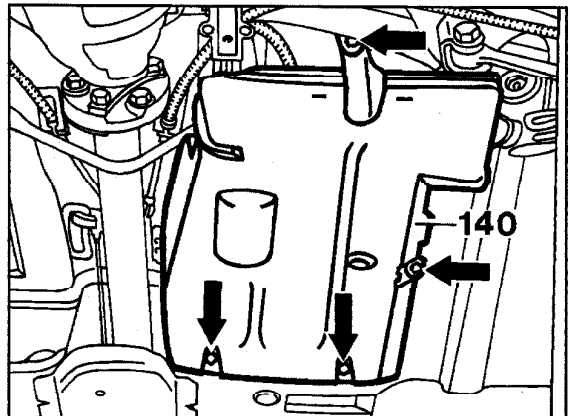
**Installation note**

Check rubber rings for damage and replace if required.



P35-5593-13

3 Remove cover for fuel pump assembly (140) (arrows).



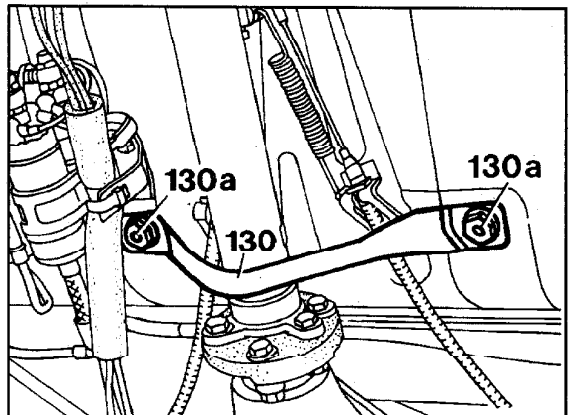
P35-5457-13

4 Detach bracket (130) for safety belt attachment.

**Installation note**

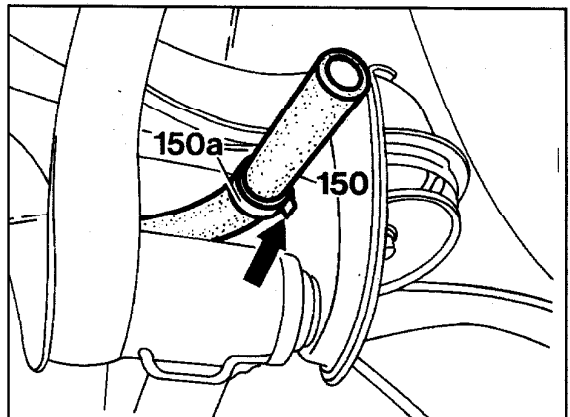
Tightening torque of hexagon nuts (130a)  
210 Nm.

Torque wrench 000 589 10 99 01.



P35-5458-13

5 Press water drain hose (150) with fixing clamp (150a) out of rear axle bracket (arrow).

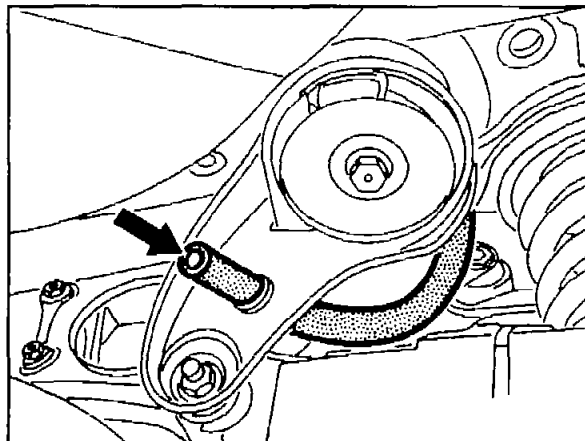


P35-5463-13

1st version on model  
201 up to 12/83

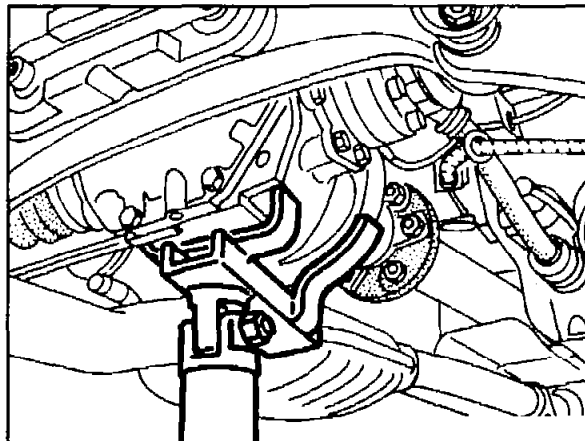
5a Press water drain hose out of rear axle bracket (arrow).

2nd version on model 201  
as of 01/84 and model 124



P47-2054-13

6 Support rear axle with pit lift or vehicle jack pick-up attachment 140 589 01 62 00.

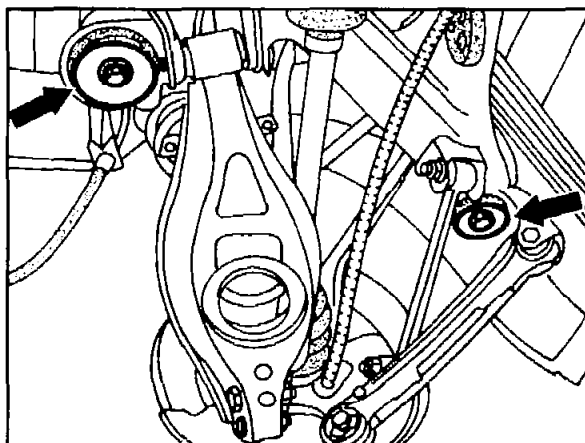


P35-5594-13

7 Unscrew self-locking hexagon bolt of front and rear mounting of one side of rear axle bracket on frame floor and remove with stop plates (arrows).

**Installation note**

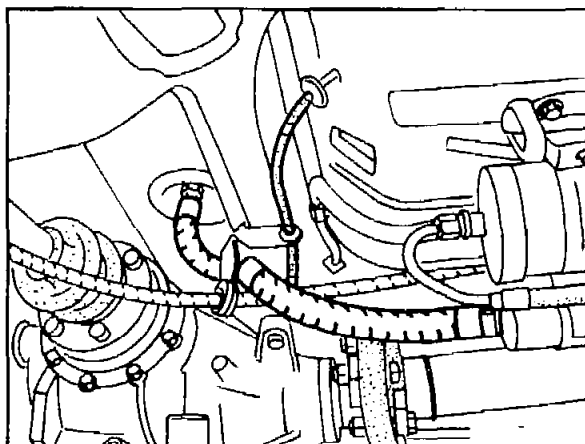
Re-cut thread on frame floor, replace hexagon bolts, tightening torque 70 Nm.  
Torque wrench 001 589 66 21 00.



P35-5466-13

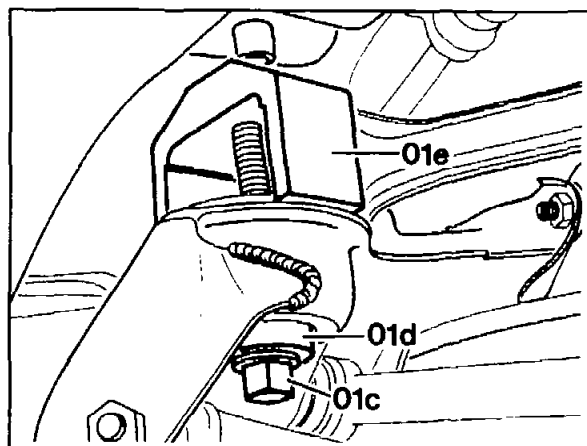


When lowering the right side, ensure that the fuel hose and the ABS/ASR line are not subjected to excessive tension.  
On vehicles with level control, the level controller must not contact the rear axle bracket.



P35-5592-13

8 Lower rear axle on one side of the vehicle until the extractor/pulling-in equipment (01c-01e) 201 589 10 43 00 can be installed.

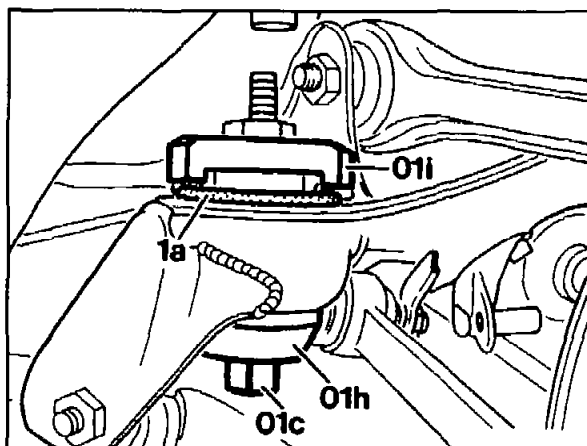


P35-2078-13

9 Pull out front rubber mount (1a) with extractor/pulling-in equipment (01c-01e) and remove.

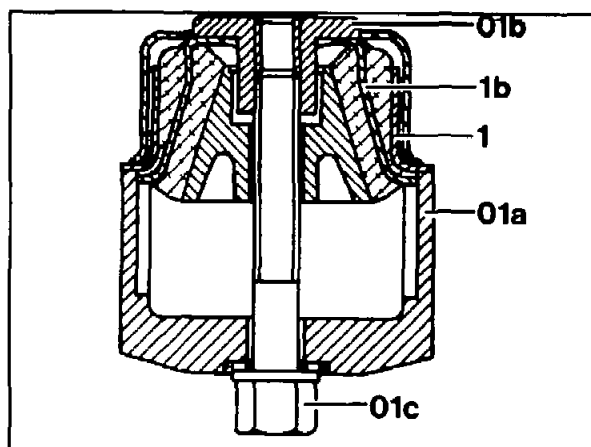
#### Installation note

Rub rubber mount (1a) with Naphtolen H lubricant part no. 000 989 14 60 and pull in using extractor/pulling-in equipment (01c, 01h, 01i) 201 589 10 43 00.



P35-5447-13

10 Pull out rear rubber mount (1b) extractor/pulling-in equipment (01a, 01b, 01c) 201 589 11 43 00 and remove.



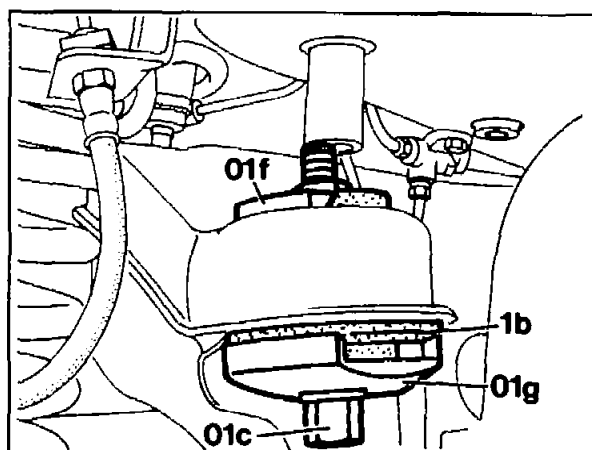
P35-5596-13

#### Installation note

Rub rubber mount with Naphtolen H lubricant part no. 000 989 14 60 and draw in using pulling-in equipment (01c, 01f, 01g) 201 589 11 43 00.



Install bracket (01g) of extractor/pulling-in equipment so that the lugs on the rubber mounts are not damaged when pulling in.



P35-5591-13

11 Check rubber mount for cracks and damage, replace if required.

12 Install in reverse sequence.