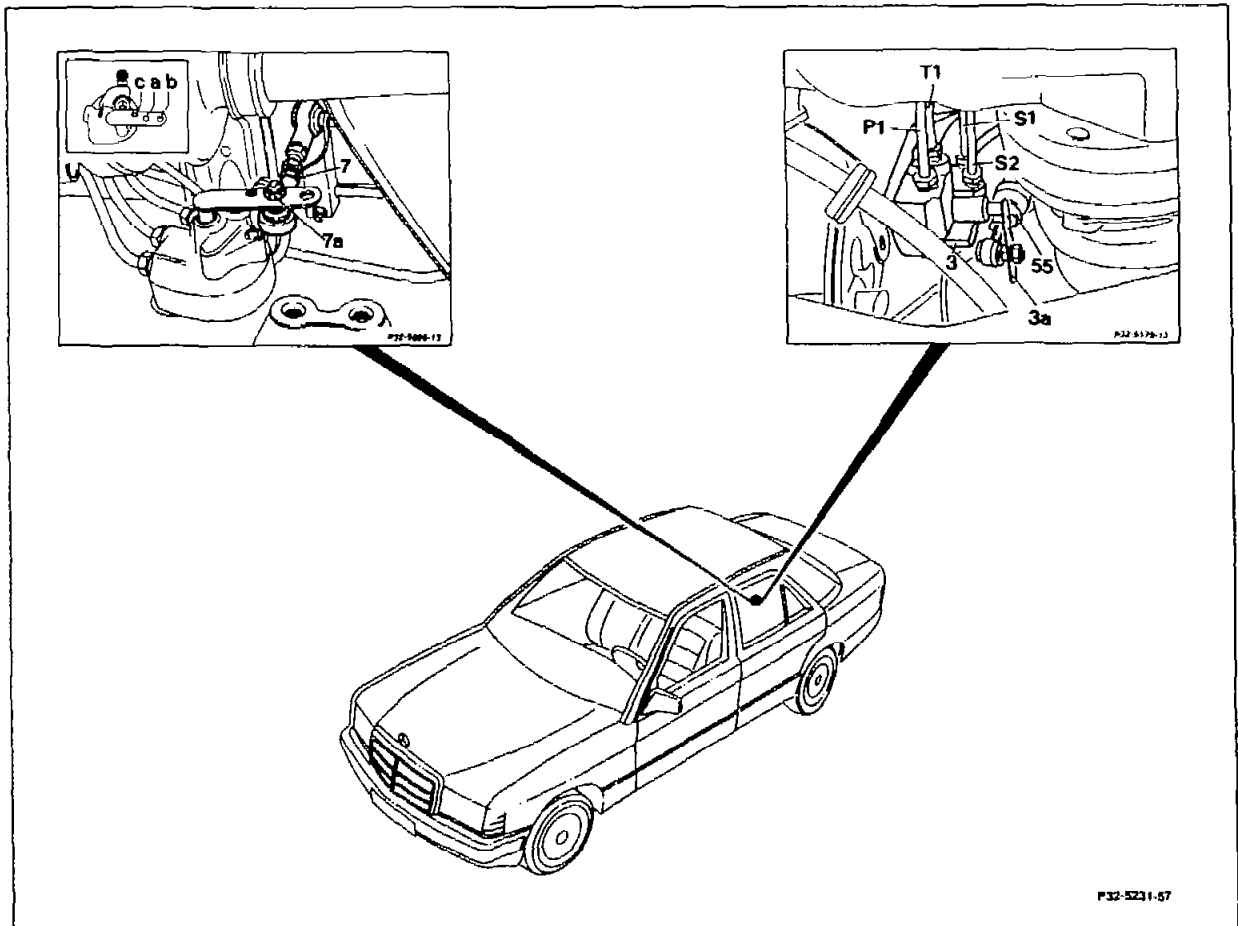


32-0670 Removing and installing level controller

Preceding work:
Pressure oil system emptied (32-0630).

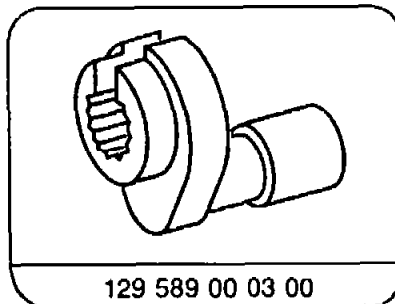
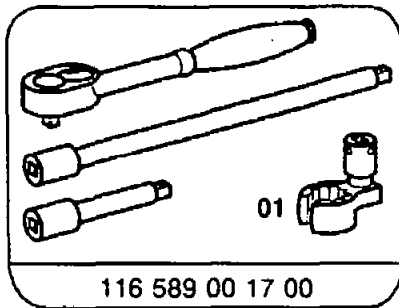
Operation no. of operation texts and work units or standard texts
and flat rates:
32-0820



Pressure lines (P1, S1 and S2)	Disconnect, connect at level controller using an open box wrench 129 589 00 03 00, 14 Nm. S1 and S2: 14 Nm. P1: 20 Nm.
Return lines (T1)	Disconnect, connect at level controller using an open box wrench 129 589 00 03 00, 20 Nm.
Connecting rod (7) and control rod	Disconnect, connect at level controller (3). Replace self-locking hexagon nut (7a), 10 Nm.

Level controller (3)	Remove, install, 10 Nm.
Ball joints of connecting/control rod	Check for ease of movement and wear.
Vehicle level at front and rear axles	Check (40-0300) and check control point of level control system on rear axle (40-0310).
Headlamps	Adjust (82-1130).

Special tools

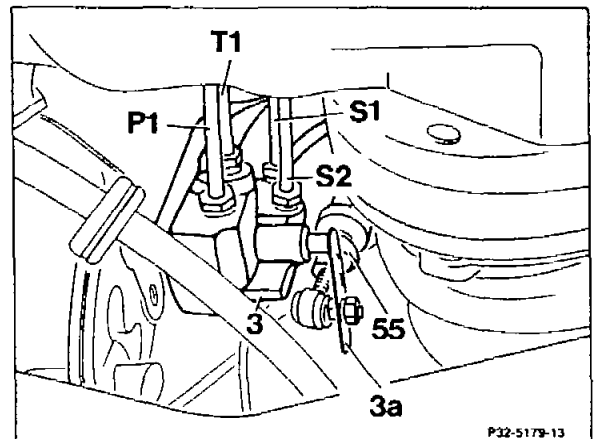


Removing and installing

1 Disconnect pressure lines (P1 and S1) and return line (T1) using an open box wrench.

Installation notes

Check vehicle level at front and rear axles (40-0300) and check control point of level control system on rear axle (40-0310).
If vehicle level was changed, adjust headlamps (82-1130).



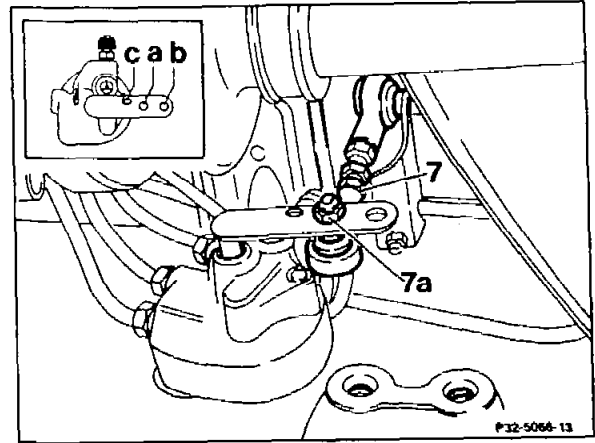
2 Unscrew self-locking hexagon nut (7a) and detach connecting rod (7).

Note

The ball pin must not be pulled out of the ball pan.

Installation notes

Replace self-locking hexagon nut, 10 Nm.



Model 201 in bore "a"
Model 124 in bore "b"

Models 201.034/035/036

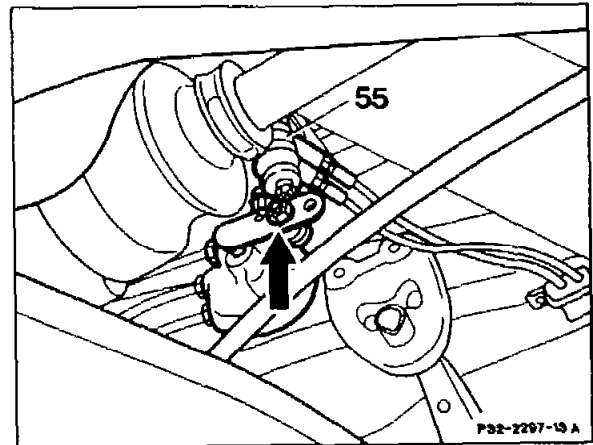
3 Unscrew self-locking hexagon nut (arrow) and disconnect control rod (55).

Note

The ball pin must not be pulled out of the ball pan. If necessary, hold the ball pin with an 8 mm open-end wrench.

Installation notes

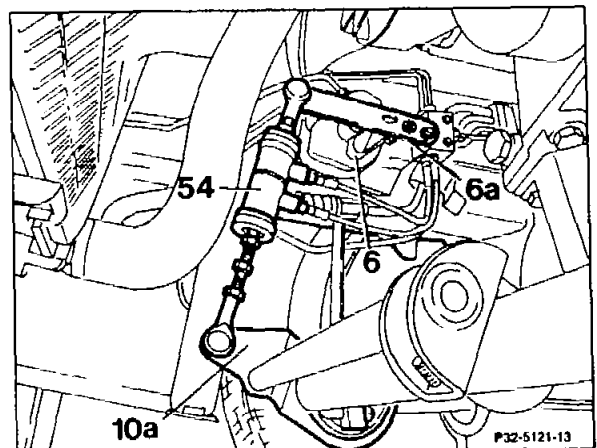
Replace self-locking hexagon nut, 10 Nm.



Note

Removal and installation on the front axle of models 201.034/035/036 is identical.

- 6 Front axle level controller
- 6a Level controller lever
- 10a Torsion bar lever
- 54 Front axle control rod

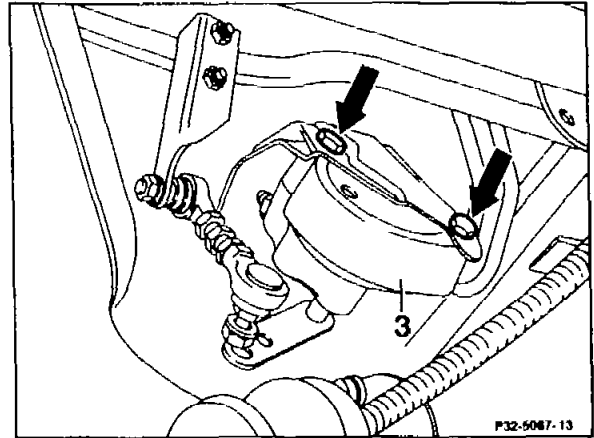


All models

4 Unscrew two hexagon bolts (arrows) and remove level controller (3) from bracket.

Installation note

Tightening torque 10 Nm.



5 Install in the reverse sequence.