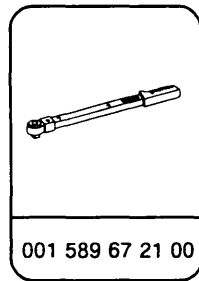
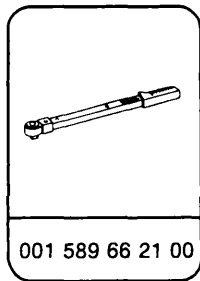


Engine 616 617.91

Torque specifications

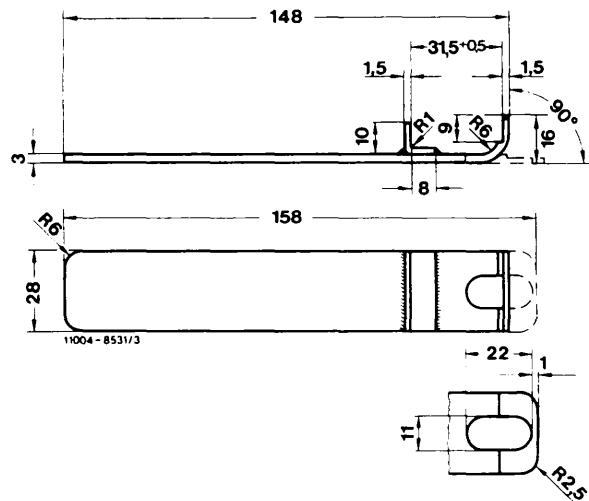
	Nm
Adjusting bolt (2) on front engine stop	130
Adjusting bolt (11) on rear engine mount	30

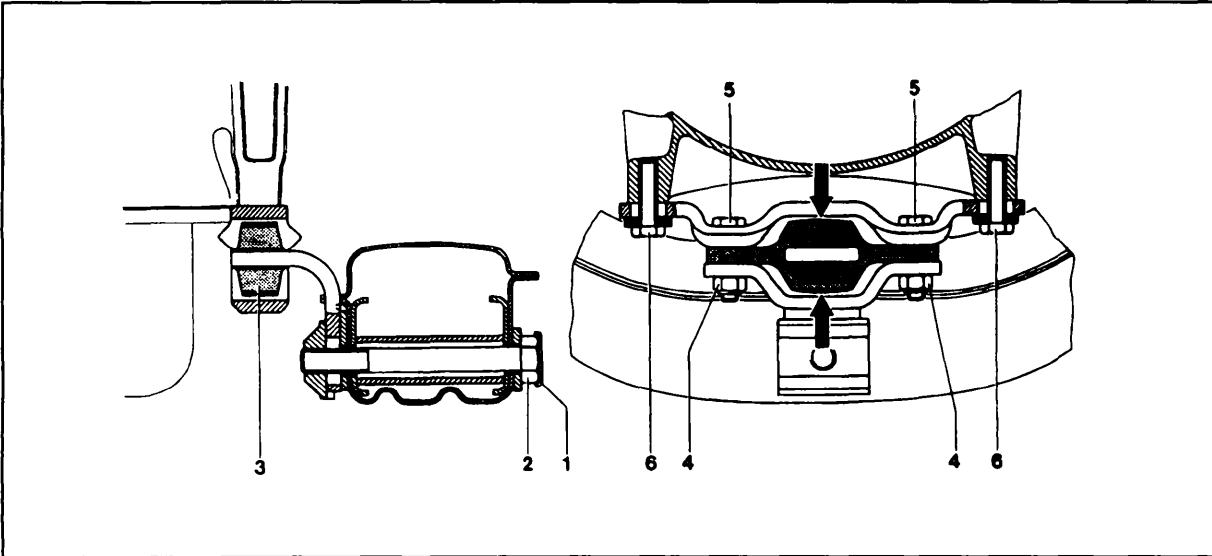
Special tools



Locally fabricated tools

Gauge for adjusting front engine stop



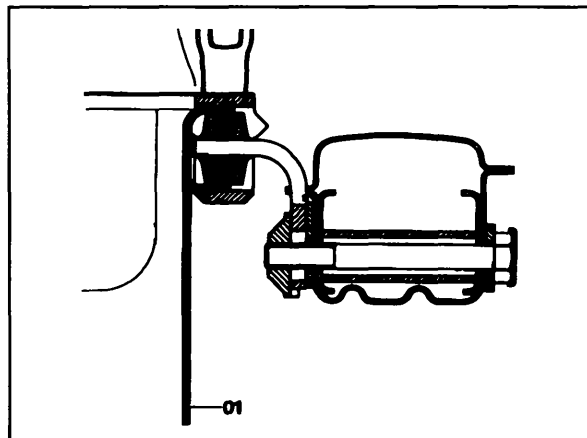


Front engine stop

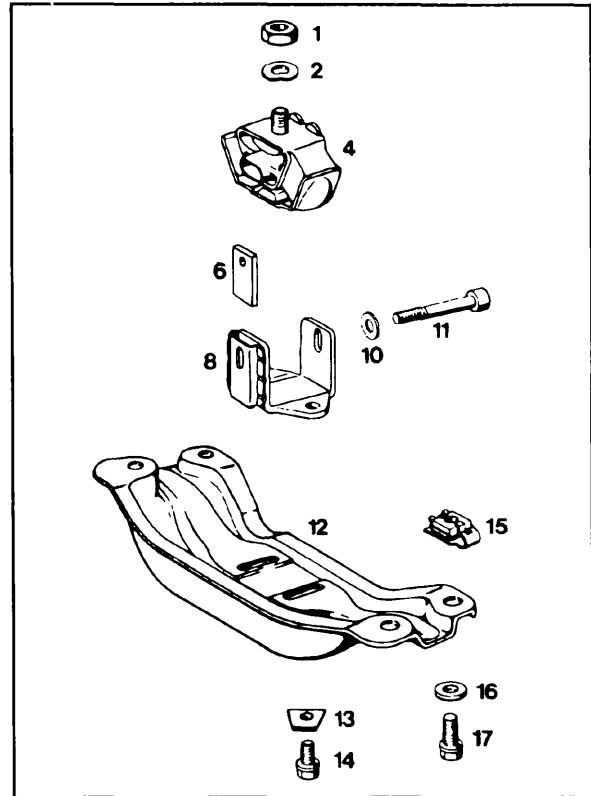
Note: The vehicle weight must rest on the suspension.

On engine 617.91 loosening and retightening of bolts on front engine stop is not required.

- Turn steering wheel to full lock, either right or left.
- Lift lock (1) on front engine stop and move aside. Completely loosen adjusting bolt (2). Make sure that engine stop is not stuck to frame crossmember due to wax or paint.
- Completely loosen adjusting bolt (11) on rear engine mount.
- Place fabricated gauge (01) on front engine stop.
- Shake engine from side to side by hand.



- Tighten adjusting bolt (11) on rear engine mount.
- Tighten adjusting bolt (2) on front engine stop and secure with lock (1).
- Remove fabricated gauge.



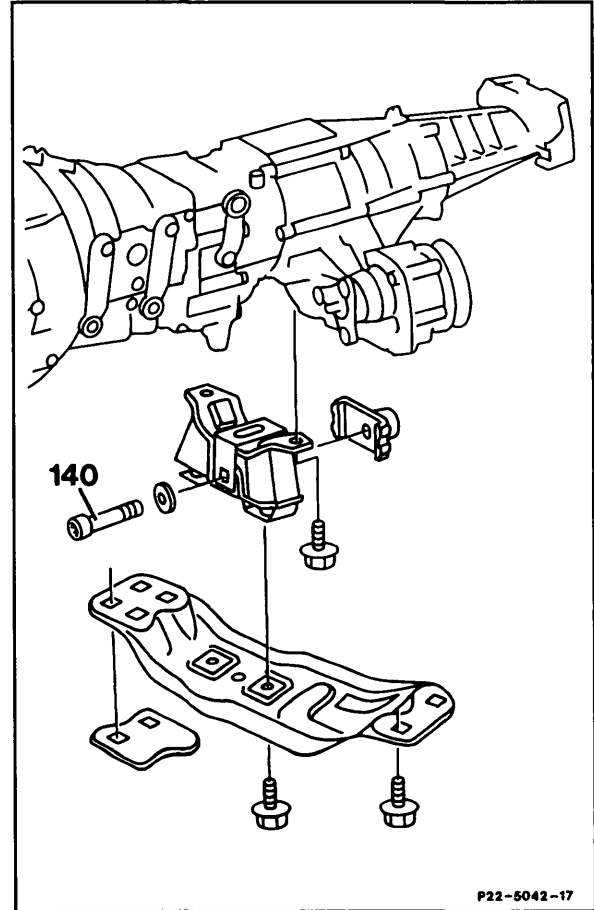
Rear engine mount with engine stop
Version: 4 & 5 cylinder models with automatic transmission

Engine 103 in model 124 with 4MATIC

Torque specifications (Nm)

Adjusting screw (140) on rear mount (reference value)

45



- Completely loosen adjusting bolt (140) on rear engine mount.
- Start engine and depress gas pedal several times to rock engine to adjust engine stop.
- Tighten adjusting bolt (140) on rear engine mount to 45 Nm.