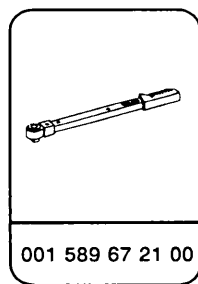
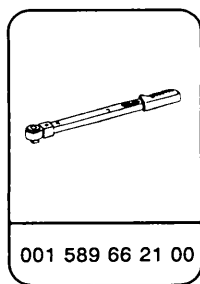


Engine 616 617

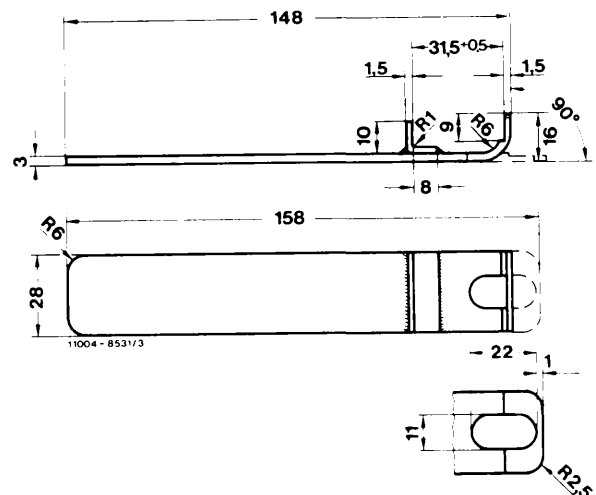
Torque specifications	Nm
Nuts (4) and bolts (6) of front engine stop	30
Adjusting bolt (2) of front engine stop	130
Nut (1) at rear of engine stop (ref. value)	70
Bolts (14) on rear engine mount	20
Adjusting bolt (11) on rear engine mount	30

Special tools



Locally fabricated tools

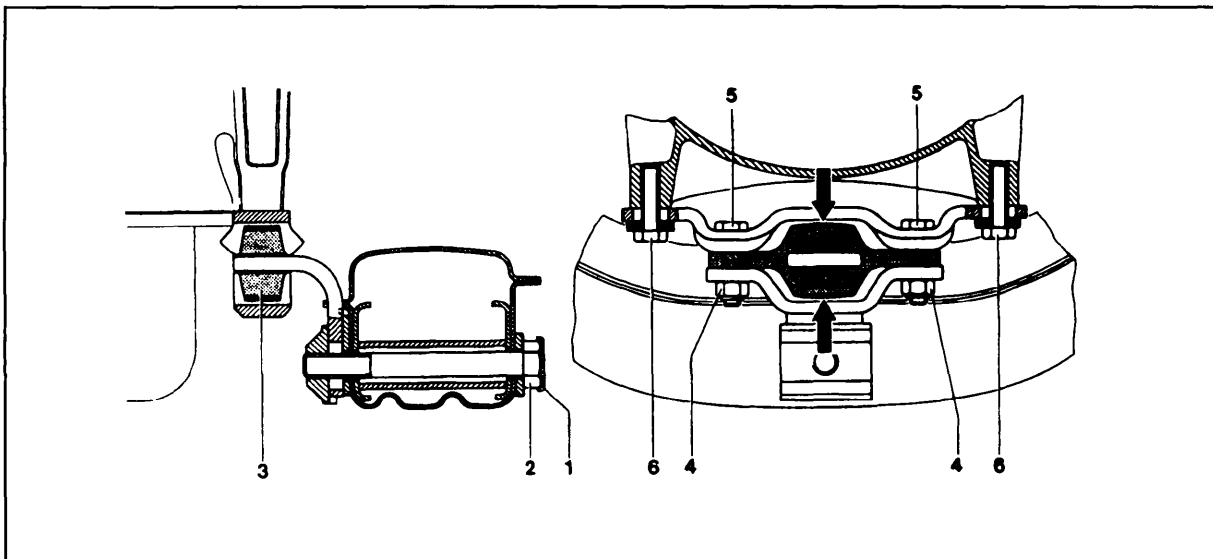
Gauge for adjusting front engine stop



Note: The vehicle weight must rest on the wheels.

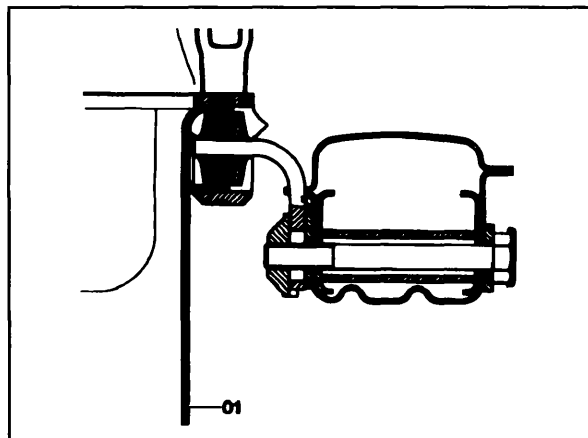
Torque or retorque all bolts and nuts to the specified torque with torque wrench except nut (1) on rear engine mount.

On engine 617.91 loosening and retightening of bolts on front engine stop is not required.

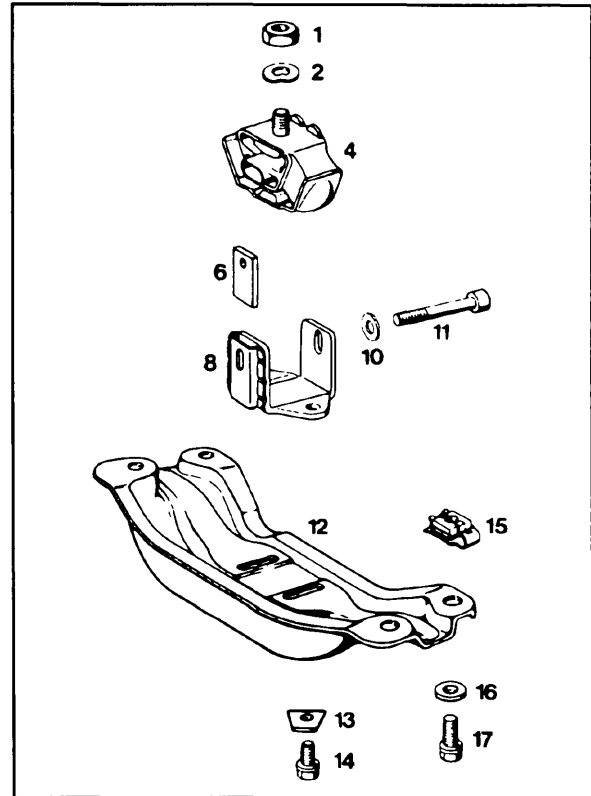


Front engine stop

- Turn steering wheel to full lock either right or left.
- Tighten bolts (6) and nuts at front engine stop. When tightening nuts (4) hold bolts (5) in position.
- Tighten nut (1) and bolts (14) on rear engine mount.
- Lift lock (1) on front engine stop and move aside. Completely loosen adjusting bolt (2). Make sure that engine stop is not stuck to frame crossmember due to wax or paint.



- Completely loosen adjusting bolt (11) on rear engine mount.
- Place fabricated gauge (01) on front engine stop.
- Shake engine from side to side by hand.
- Tighten adjusting bolt (11) on rear engine mount.
- Tighten adjusting bolt (2) on front engine stop and secure with lock (1).
- Remove fabricated gauge.



Rear engine mount with engine stop

Version: 4 & 5 cylinder models with automatic transmission