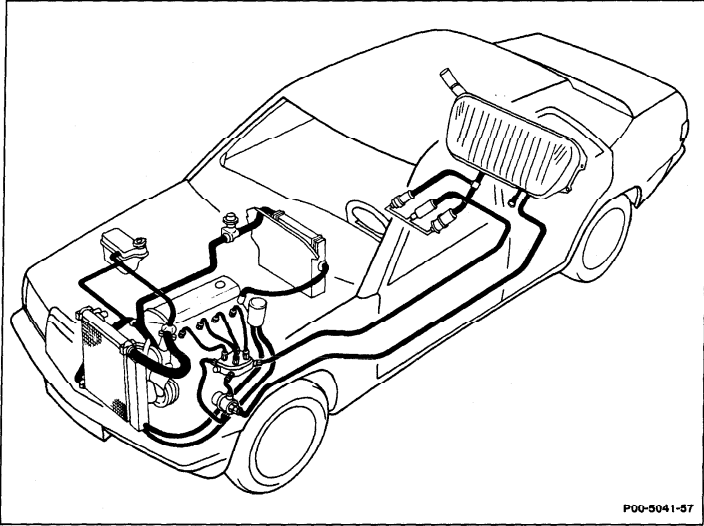


All Models



Note: To perform this job number, the engine compartment lower panels or the lower noise encapsulation panels must be removed and then reinstalled after completion of all maintenance work (see jobs 6190 or 9490, respectively).

Inspect engine and fuel system, including lines and hoses, for leaks. Check for chafe marks and proper routing.

Engine

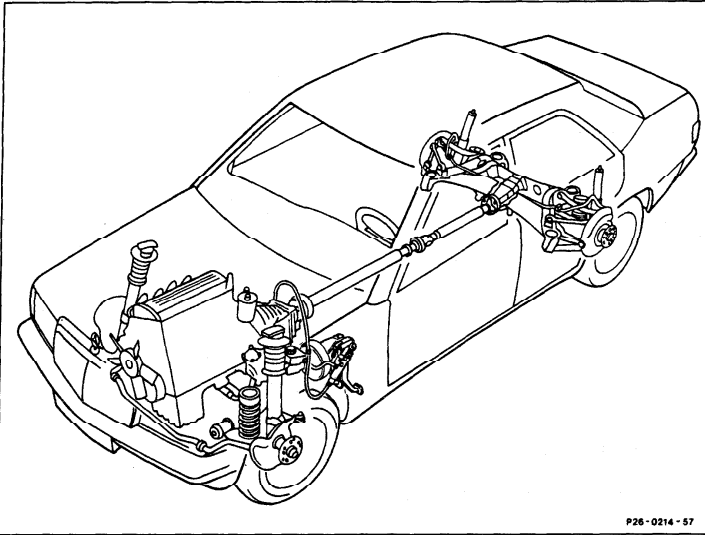
- | | | |
|---------------------------|---------------------------|---------------------|
| Crankcase | Crankcase seal, front | Cylinder head cover |
| Coolant pump and housing | Timing housing cover | Radiator |
| Oil pan | Coolant and heating hoses | Oil filter |
| Air-oil cooler with hoses | | |

Fuel system

- | | | |
|----------------|--------------|--------------------|
| Fuel tank | Fuel filters | Fuel pump assembly |
| Injection pump | Prefilter | Injection system |
| Fuel pump | Fuel cooler | Fuel preheating |

0053

Inspecting components, lines and hoses



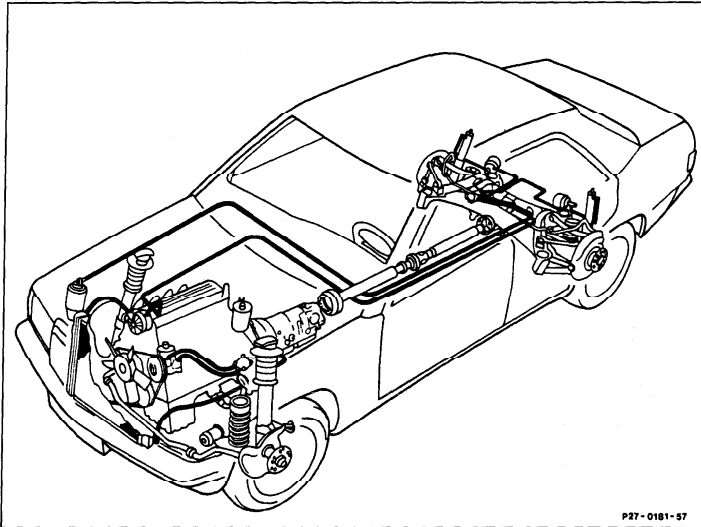
Check condition of damper struts, shock absorbers, and rear axle.
If traces of oil are found on lower engine compartment panels, determine source.

Rear axle

Sealing rings
Fill and drain plugs
Housing cover

Damper struts or shock absorbers

Leaks
Mounting



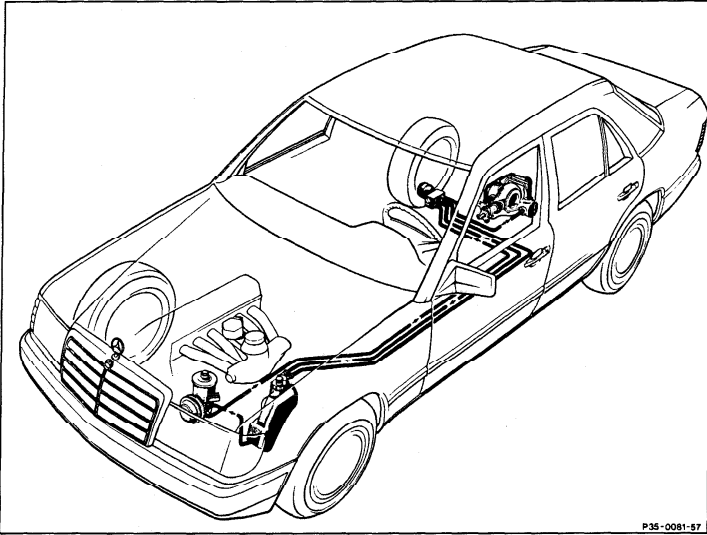
Check condition of automatic transmission, level control and power steering, including lines and hoses. Check for chafe marks and proper routing.

Automatic transmission, power steering

- Torque converter
- Sealing rings and gasket
- Housing plugs
- Line connections
- Hoses
- Oil pan

Level control/ADS

- Suspension struts
- Line connections
- Hoses
- Leveling valves
- Hydraulic oil reservoir
- Hydraulic oil pump
- Suspension pressure reservoirs
- Distribution valve
- Control valve
- Damping valve units



Vehicles with ASD

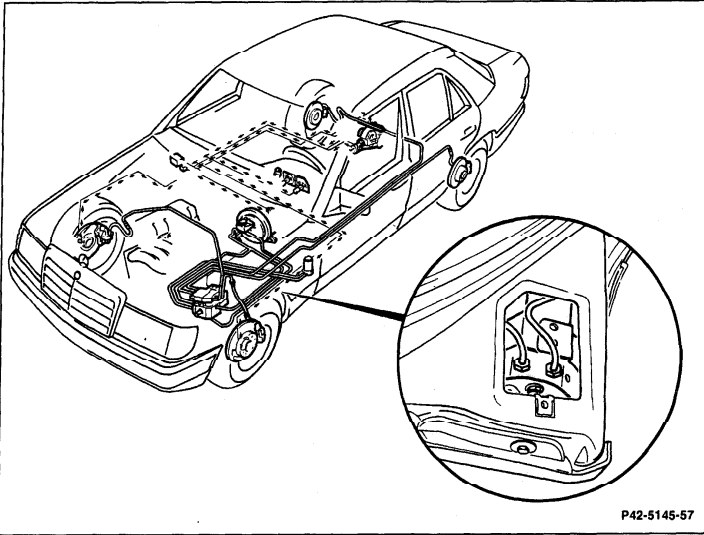
Check condition of all lines and hoses. Check for chafe marks and proper routing.

Oil reservoir

Tandem pump

Hydraulic unit

Ring cylinders on rear axle center piece

**Vehicles with ASR II Model 124****Vehicles with ASR III Models 124,034/036**

Check condition of all lines and hoses. Check for chafe marks and proper routing.

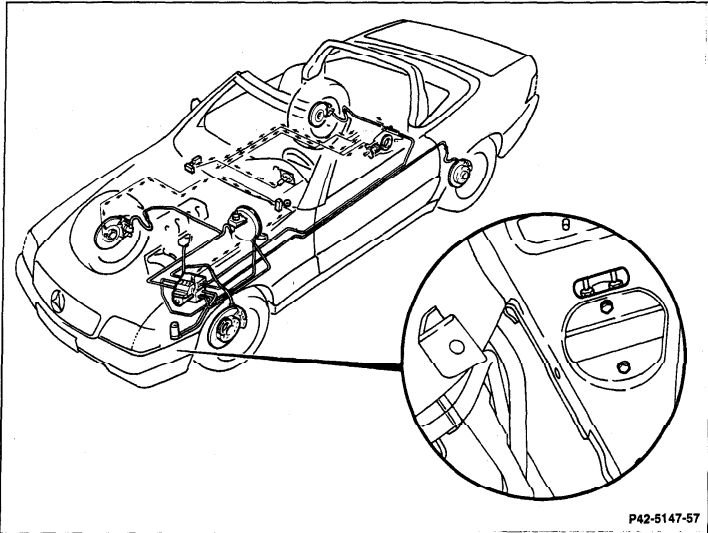
ASR hydraulic unit

Pressure reservoir

Charging pump

Note:

Inspect pressure reservoir through opening in plastic cover under left front fender.



Vehicles with ASR II and Model 129 with ASR III

Check condition of all lines and hoses. Check for chafe marks and proper routing.

ASR hydraulic unit

Pressure reservoir

Charging pump

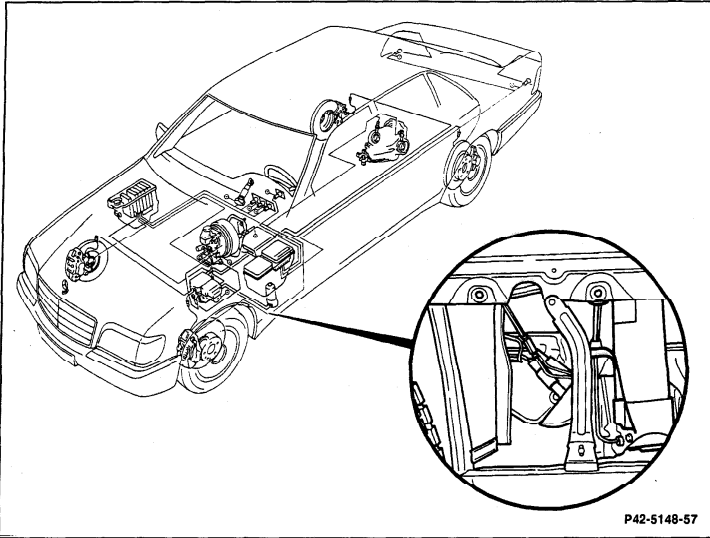
Note:

Model 129.06

Inspect the pressure reservoir connections from underneath the vehicle through opening in engine compartment left side wall.

Model 129.07

Inspect the pressure reservoir connections through opening in plastic cover under left front fender.

**Vehicles with ASR III Model 140**

Check condition of all lines and hoses. Check for chafe marks and proper routing.

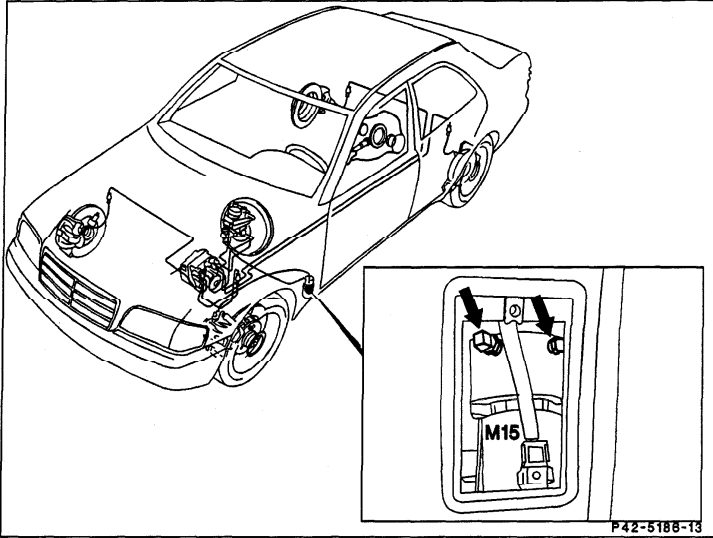
ASH hydraulic unit

Pressure reservoir

Charging pump

Note:

Inspect the pressure reservoir connections by removing left front fender lower side panel.



Vehicles with ASR IV Model 202

Check condition of all lines and hoses. Check for chafe marks and proper routing.

ASR hydraulic unit

Pressure reservoir

Charging pump

Note:

Inspect the pressure reservoir connections by removing left front fender lower side panel.