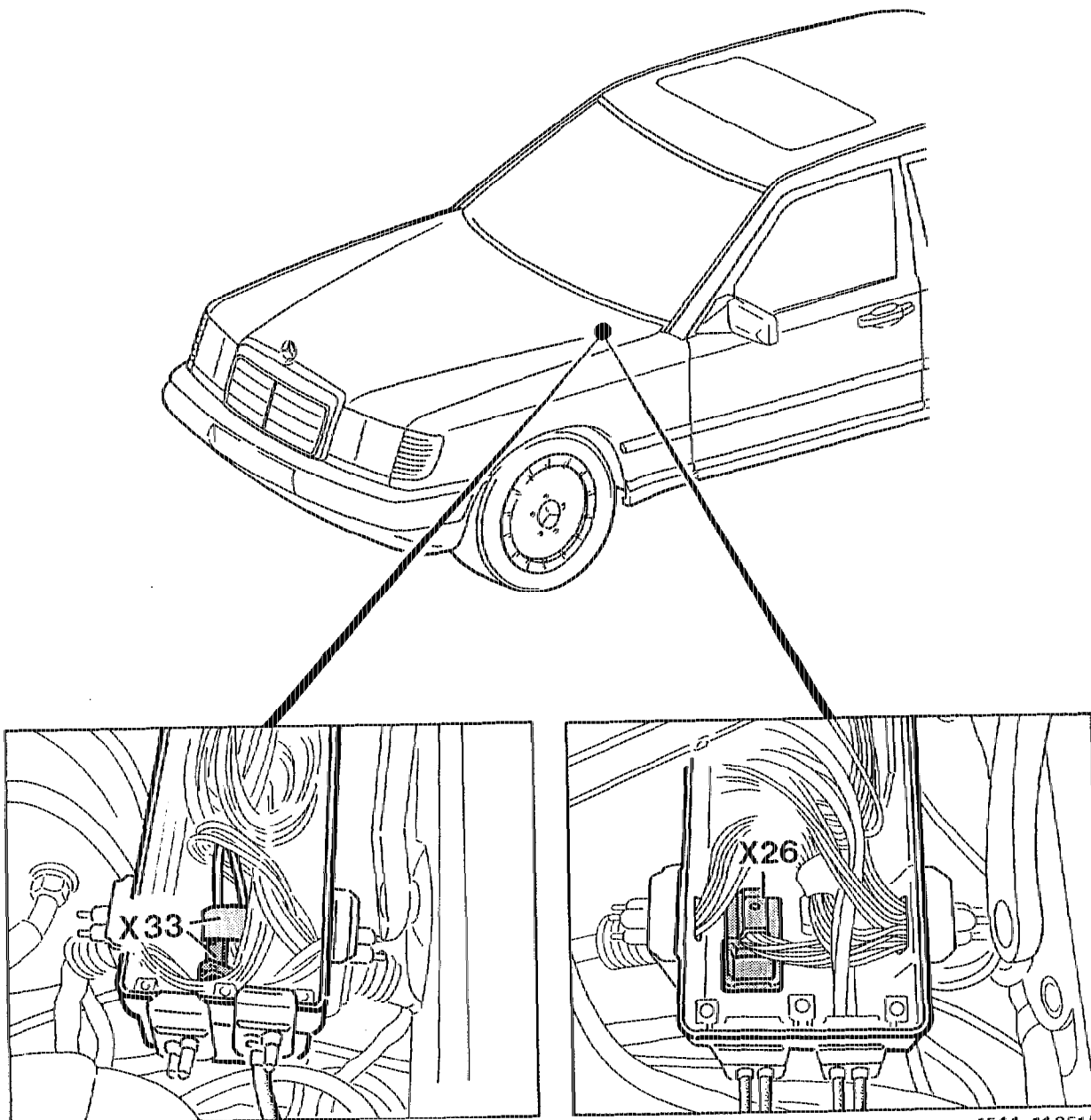


# 30-579 Layout of connectors

Operation no. of the operation texts and work units and standard texts and flat rates .....

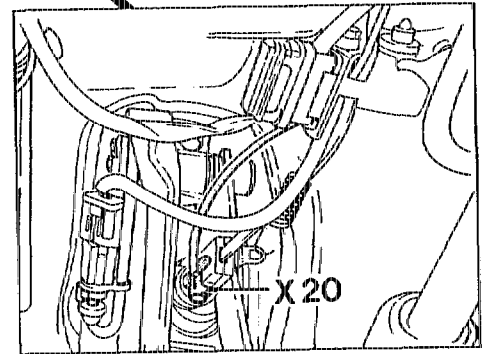
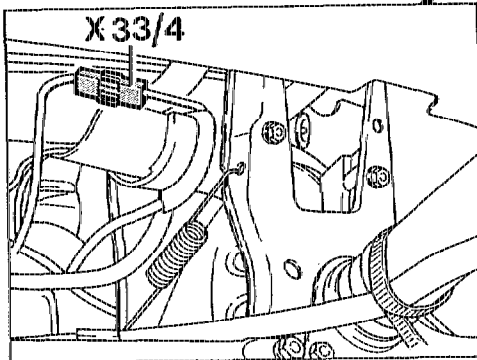
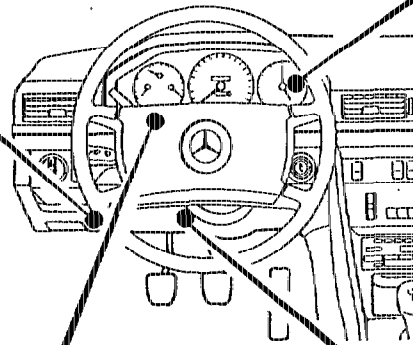
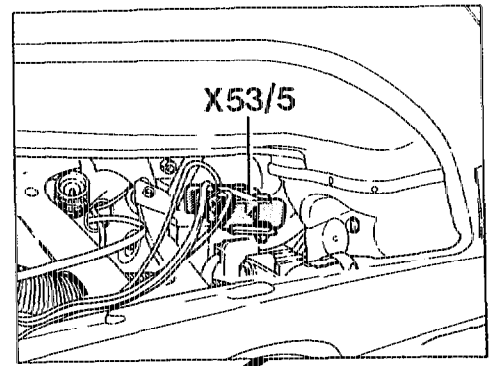
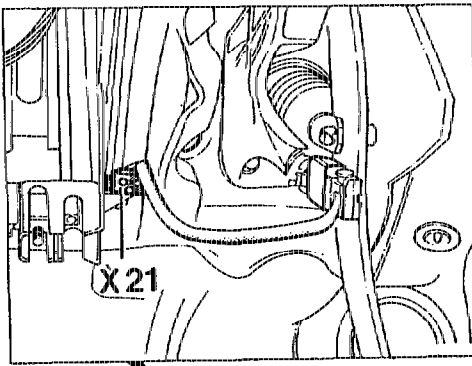
## A. Model 124



1544-14 851/1

X26 Plug connection, interior/engine 12-pin (4 cylinder models up to approx. 09/88; 6 cylinder models up to approx. 09/87)

X33 Plug connection, KE/Tempomat/cruise control (TPM) (1-pin) (up to approx. 08/85)



1543 - 14 853/1

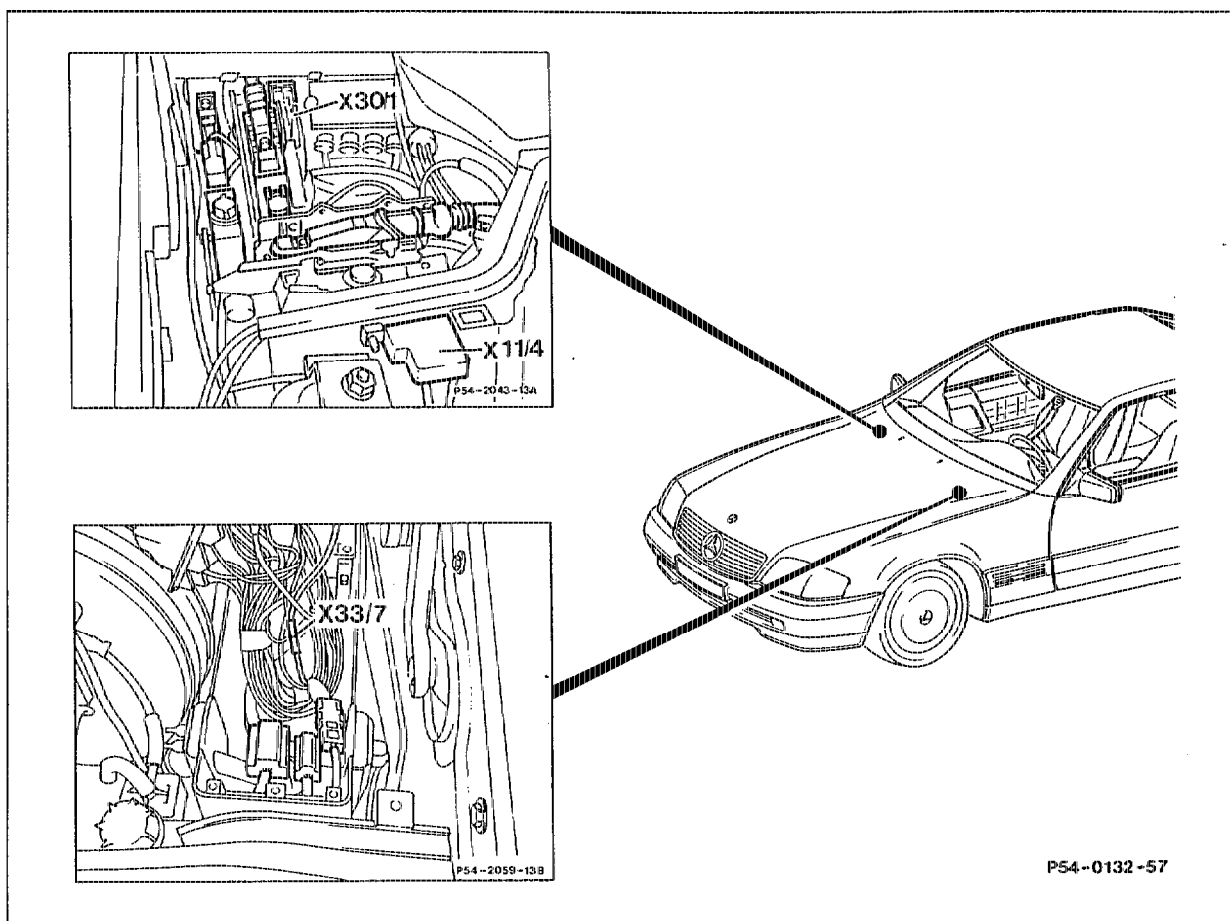
- X20 Intermediate plug connector, stop lamp switch (2-pin)
- X21 Multi-point plug connection, stop lamp switch <sup>1)</sup>

- X33/4 Plug connection, clutch switch/Tempomat/cruise control (TPM)
- X53/5 Multi-point plug connection, Hall-effect sensor/road speed signal <sup>1)</sup>

<sup>1)</sup> Only if the corresponding signal is required for several optional extras.



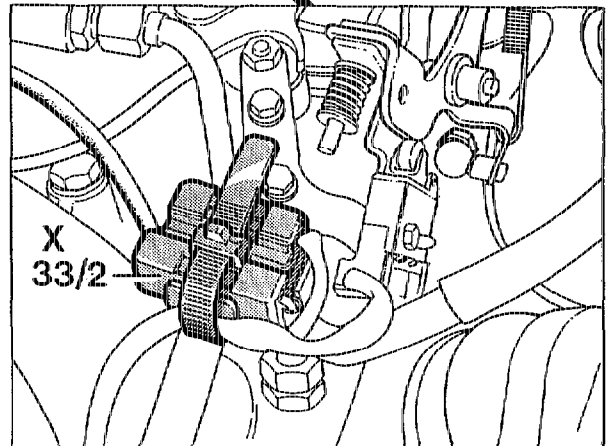
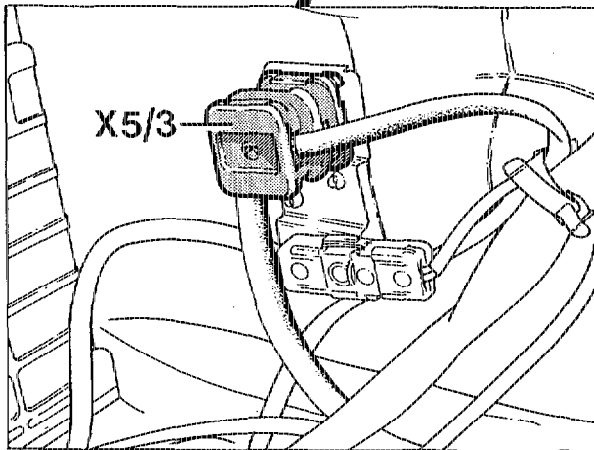
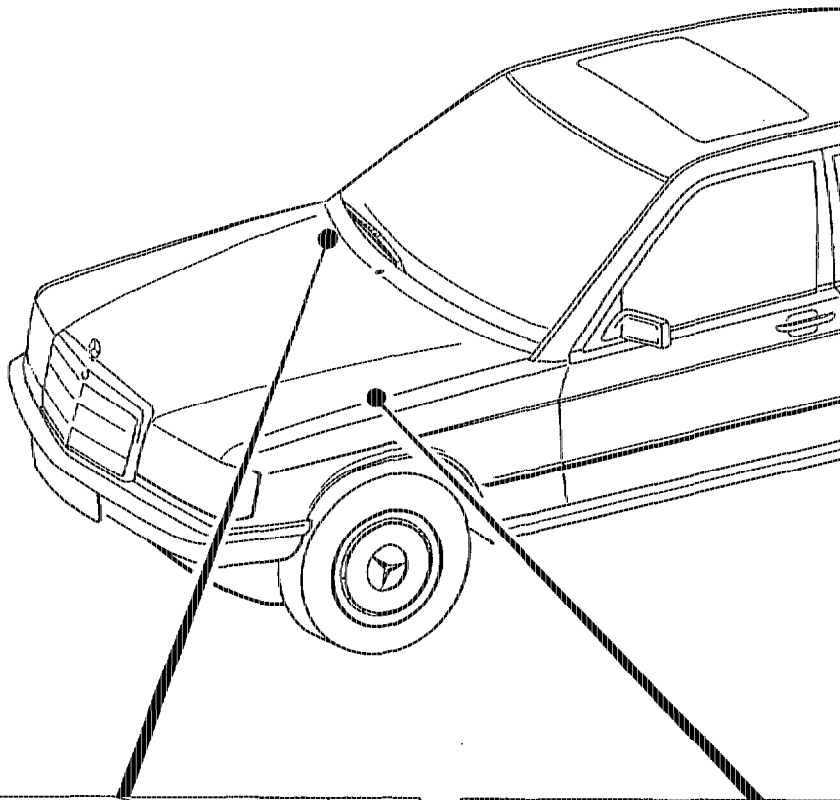
## B. Model 129



X30/1 Plug connection, multi-function block, refer to connecting diagram, group 00 for other systems

X33/7 Plug connection, Tempomat/cruise control (TPM), feed terminal 15 (1-pin)

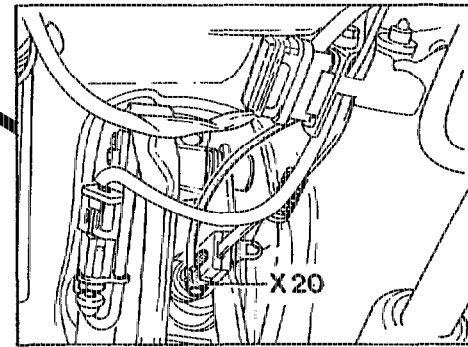
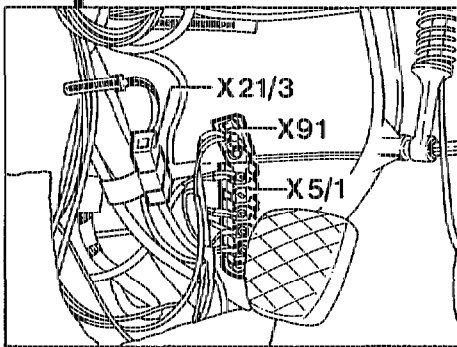
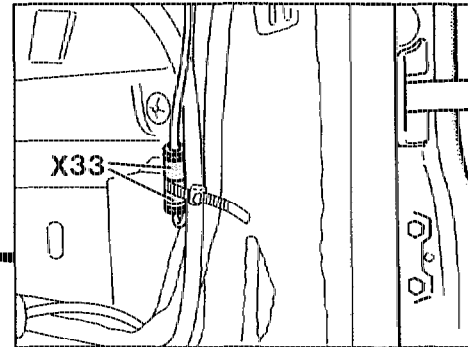
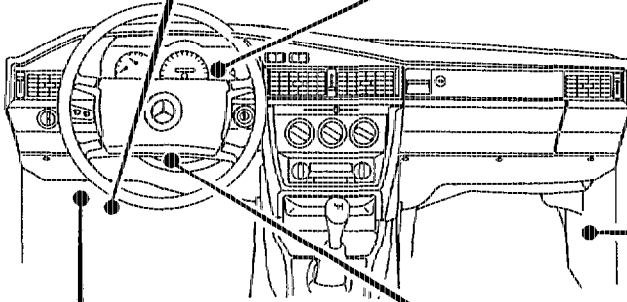
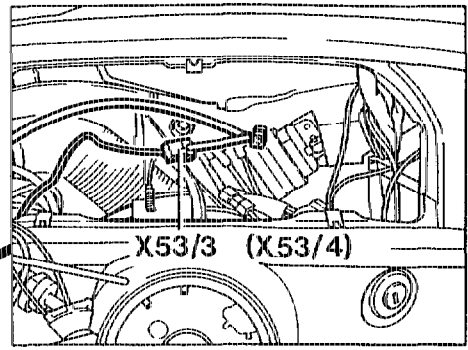
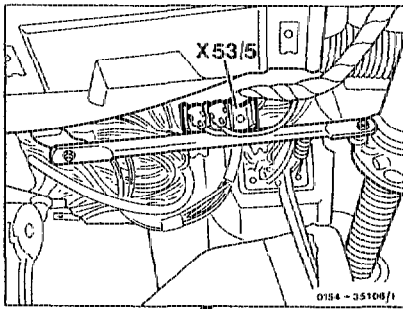
C. Model 201



1544-14 852/1

X5/3 Plug connection, interior/A/C compressor harness

X33/2 Plug connection, KE/Tempomat/cruise control (TPM) (2-pin)



1543-14 854/2

- X5/1 Terminal block, interior
- X20 Intermediate plug connector, stop lamp switch (2-pin)
- X21/3 Terminal block, stop lamp switch/Tempomat/cruise control (TPM) (1-pin)
- X33 Plug connection, KE/Tempomat/cruise control (TPM) (1-pin)

- X53/3 Plug connection, Hall-effect sensor/ARF (1-pin)
- X53/4 Plug connection, inductive sensor/ARF (2-pin)
- X53/5 Multi-point plug connection, Hall-effect sensor/road speed signal
- X91 Terminal block, clutch pedal/Tempomat/cruise control (TPM) (1-pin)