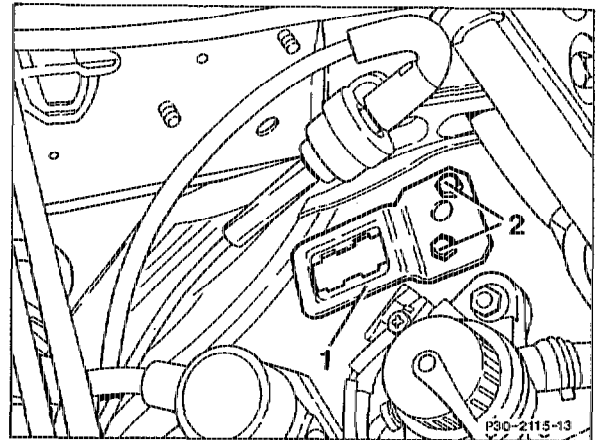


30-577 Installation of relay against deceleration shaking

Operation no. of operation texts and work units or standard texts and flat rates

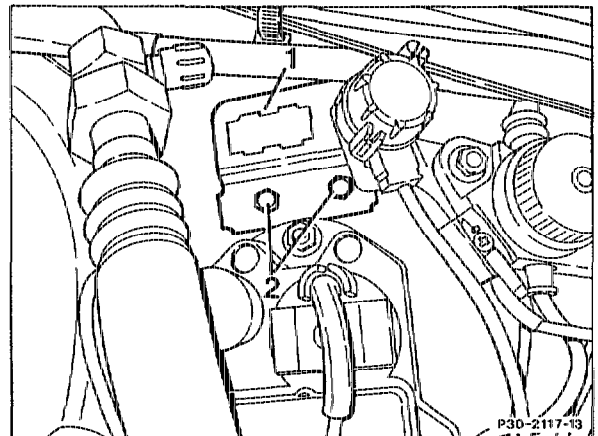
A. Procedure models 124 and 201 with engines 102.96/982/985

- 1 Make harness according to section B.
- 2 Disconnect ground cable on battery.
- 3 Remove air cleaner.
- 4 Screw on holder (1) for relay in wheelhouse by drilling 2 holes (5 mm dia.) in the holder (1) and 2 holes (3.5 mm dia.) in the wheelhouse.



Arrangement model 124

- 1 Holder
- 2 Sheet metal screws B 4.2 x 13



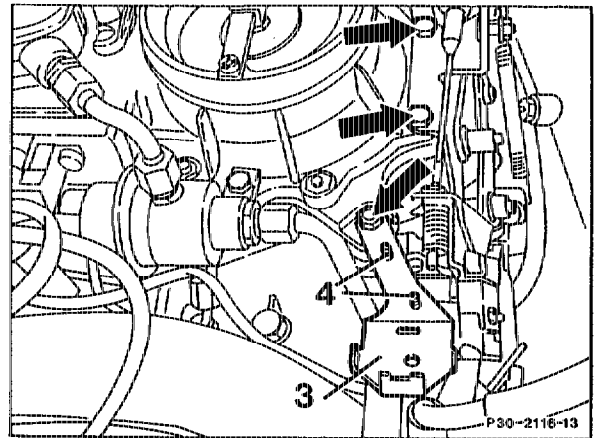
Arrangement model 201

- 1 Holder
- 2 Sheet metal screws B 4.2 x 13

5 Unscrew the three fixing screws (arrows) for the throttle control and place throttle control to one side.

6 Screw on holder (3) on the throttle control and fasten throttle control again.

- 3 Holder
- 4 Screw M4x10



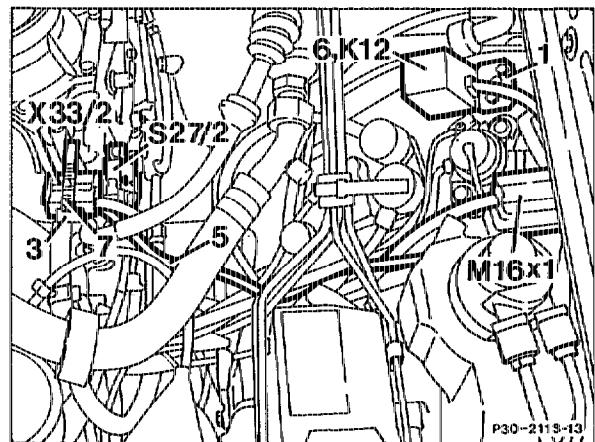
7 Mount 8-pin intermediate plug of shop-made harness (5) between the connection of Tempomat/cruise control (TPM) actuator (M16x1).

8 Install 6-pin connector of shop-made harness (5) on holder (1) in wheelhouse and clip in.

9 Press deceleration shut-off/Tempomat/cruise control relay (K12) on 6-pin connector of shop-made harness (5) and mount protective cap (6).

10 Re-install shop-made harness (5) on deceleration cut-off microswitch (S27/2).

11 Disconnect connector of production harness from deceleration cut-off microswitch (S27/2) and connect to plug of shop-made harness (5). Then fasten plug connection, KE/Tempomat/cruise control (TPM) (2-pin), (X33/2) on holder (3) with a cable tie (7).



Layout model 124

- 1 Holder
- 3 Holder
- 5 Harness
- 6 Protective cap
- 7 Cable tie
- K12 Deceleration shut-off/Tempomat/cruise control relay (K12)
- M16x1 Plug connection, Tempomat/cruise control (TPM) actuator
- S27/2 Deceleration cut-off microswitch
- X33/2 Plug connection, KE/Tempomat/cruise control (TPM) (2-pin)

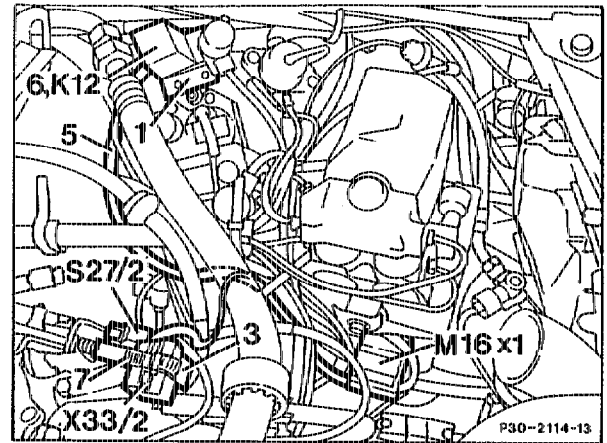
12 Press connector of shop-made harness (5) on to deceleration cut-off microswitch (S27/2).

13 Check adjustment of cruise control connecting rod and adjust if required (30-561).

14 Install air cleaner.

15 Connect ground cable to battery.

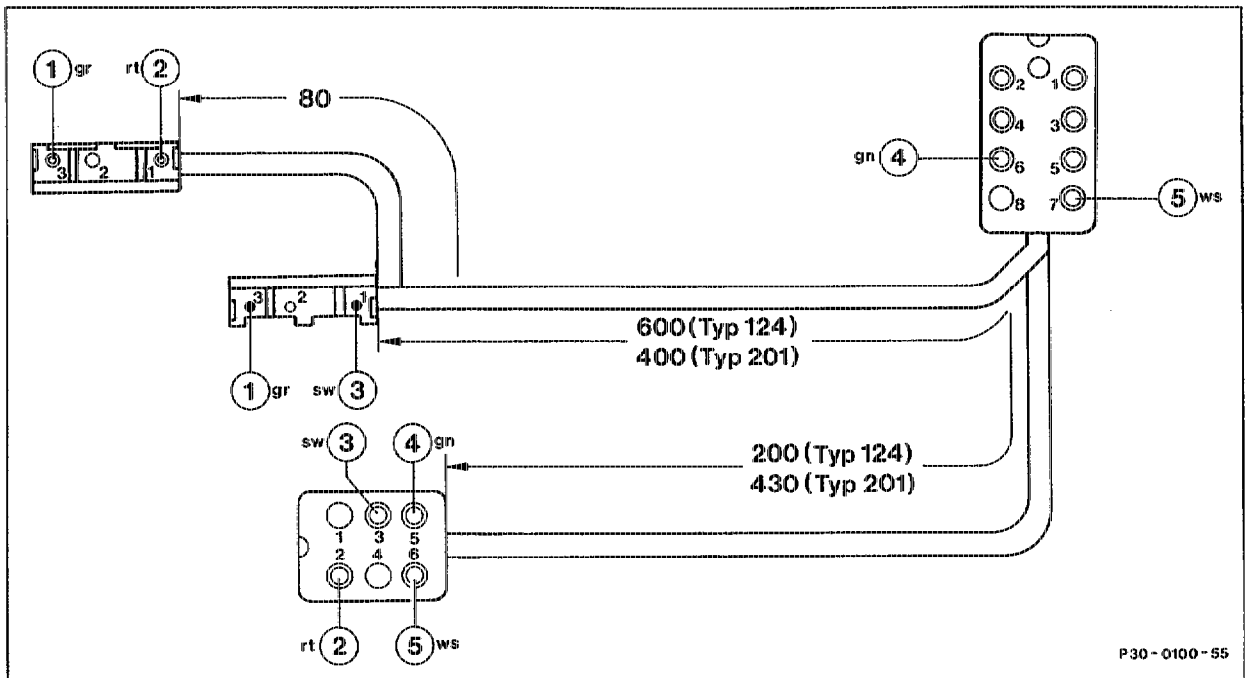
16 Perform test drive.



Arrangement model 201

1	Holder
3	Holder
5	Harness
6	Protective cap
7	Cable tie
K12	Deceleration shut-off/Tempomat/cruise control relay
M16x1	Plug connection, Tempomat/cruise control (TPM) actuator
X33/2	Plug connection, KE/Tempomat/cruise control (TPM) (2-pin)

B. Harness and wiring diagram

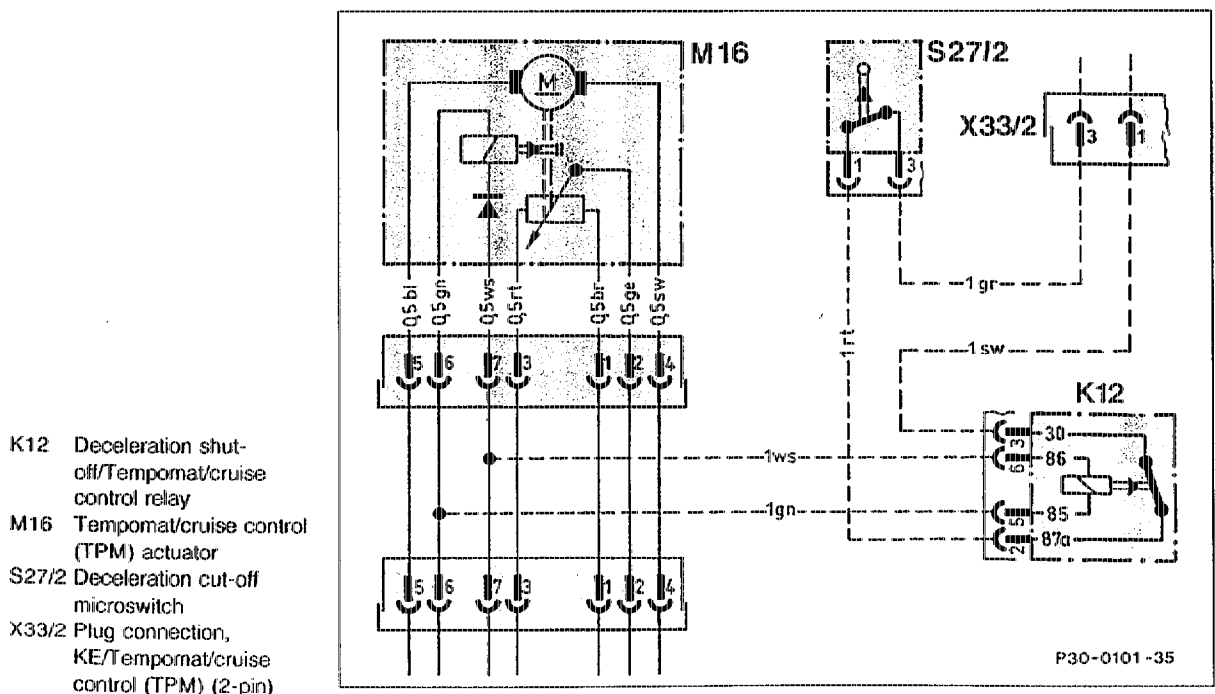


P30-0100-55

Harness (shop-made) length details in mm

Note

Insert loose plug-in sockets on 8-pin intermediate plug into layouts 1 to 5.



- K12 Deceleration shut-off/Tempomat/cruise control relay
- M16 Tempomat/cruise control (TPM) actuator
- S27/2 Deceleration cut-off microswitch
- X33/2 Plug connection, KE/Tempomat/cruise control (TPM) (2-pin)

P30-0101-35

C. Parts list

Number	Designation	Part no.
1	Relay	001 542 61 19
1	Connector housing, 8-fold	009 545 76 28
1	Cover	009 545 77 28
1	Connector housing, 6-fold	126 545 01 28
1	Connector housing, 3-fold	012 545 07 28
1	Plug-in housing, 3-fold	012 545 65 28
7	Plug-in sockets dia. 4 mm	010 545 52 28
4	Jack dia. 4 mm	003 545 26 26
2	Jack dia. 2.5 mm	002 545 99 26
2	Plug pin dia. 2.5 mm	012 545 58 28
1	Holder	102 159 27 40
1	Holder (model 124)	126 821 07 14
1	Holder (model 201)	123 545 49 40
2	Screw M4x10	000 933 004 030
2	Screw B4.2x13	007 976 004 203
1	Cable tie	001 997 42 90
0.5 m	Cable 1 mm ² grey	-
1.0 m	Cable 1 mm ² green	-
1.0 m	Cable 1 mm ² white	-
1.5 m	Cable 1 mm ² red	-
1.5 m	Cable 1 mm ² black	-