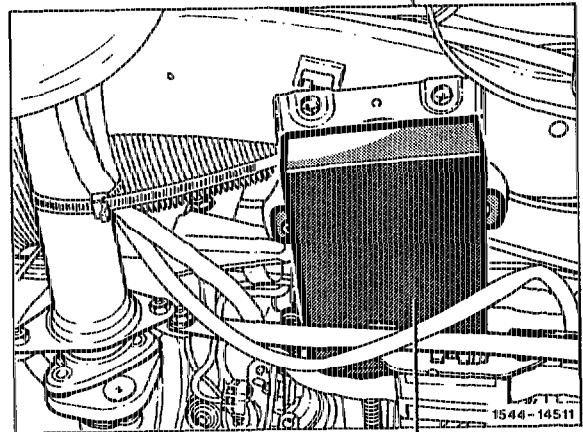
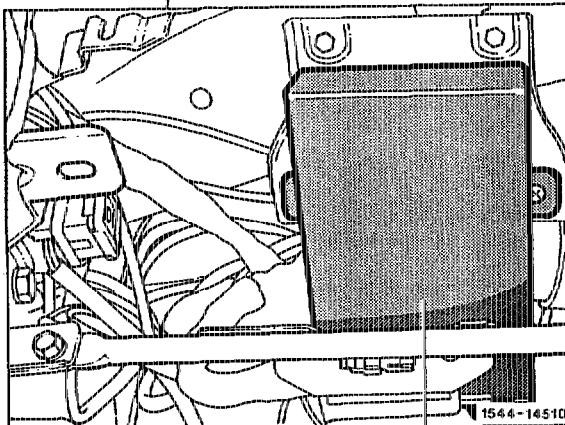
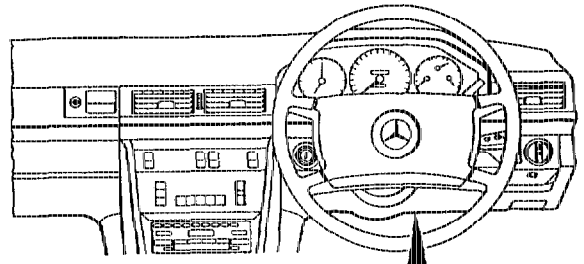
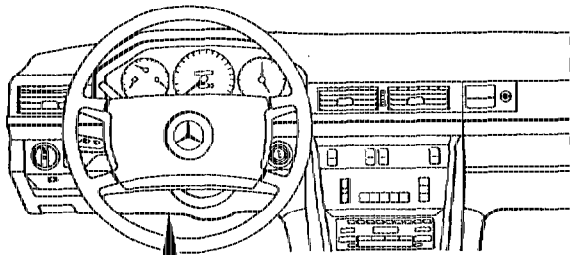


30-565 Removal and installation of cruise control amplifier

Preceding work:
Cover at left or right under instrument panel removed
(68-150).

Operation no. of operation texts and work units or standard texts
and flat rates

A. Model 124



1543-14539

N4

N4

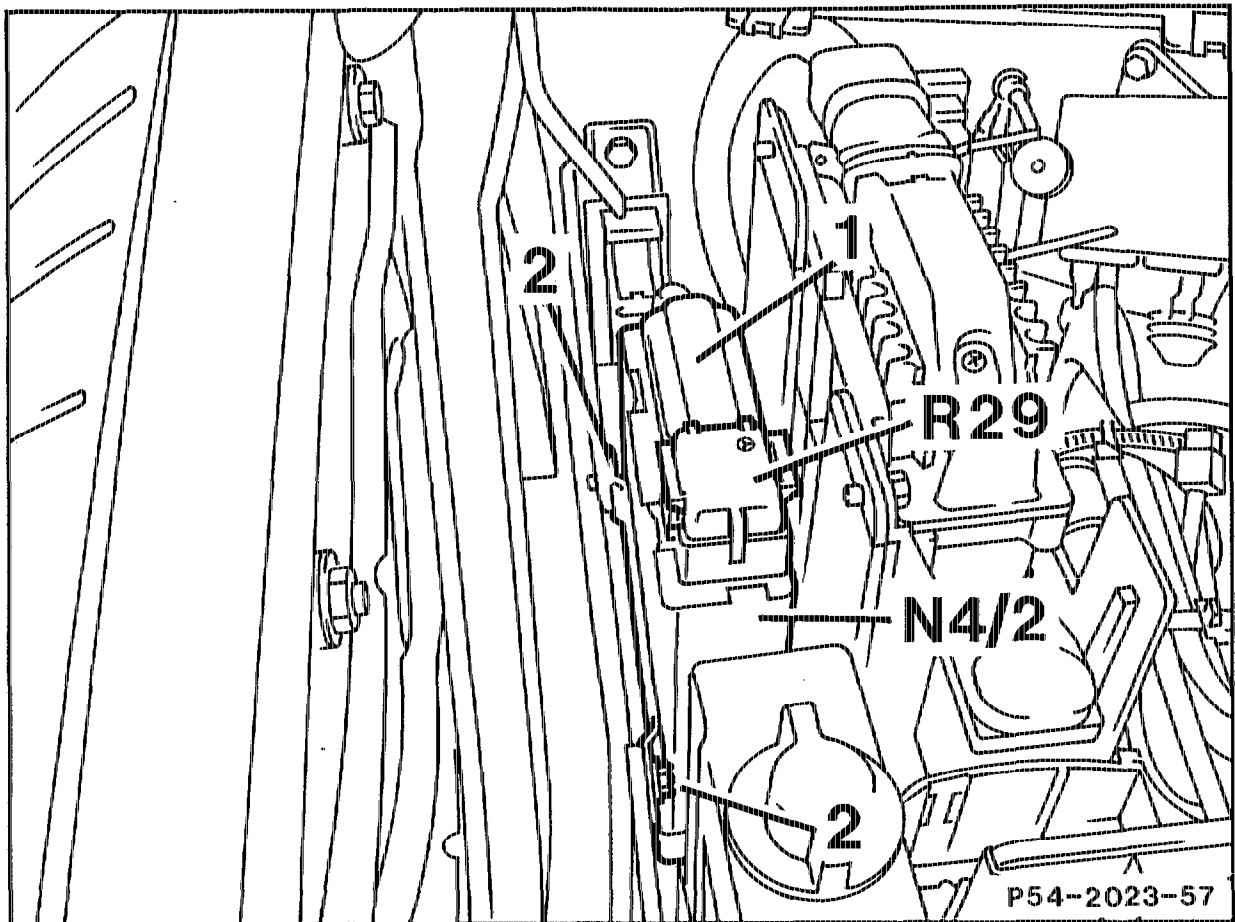
Battery	disconnect, connect.
Connector of harness at Tempomat/cruise control (TPM) amplifier (N4)	disconnect, connect.
Tempomat/cruise control (TPM) amplifier (N4) ...	unscrew, screw on. If amplifier is defective, always check the adjustment of connecting rod.
Function test	perform on road.

Note

A new cruise control reference resistor amplifier is being phased in. Check reference resistor prior to subsequent use (30-506).

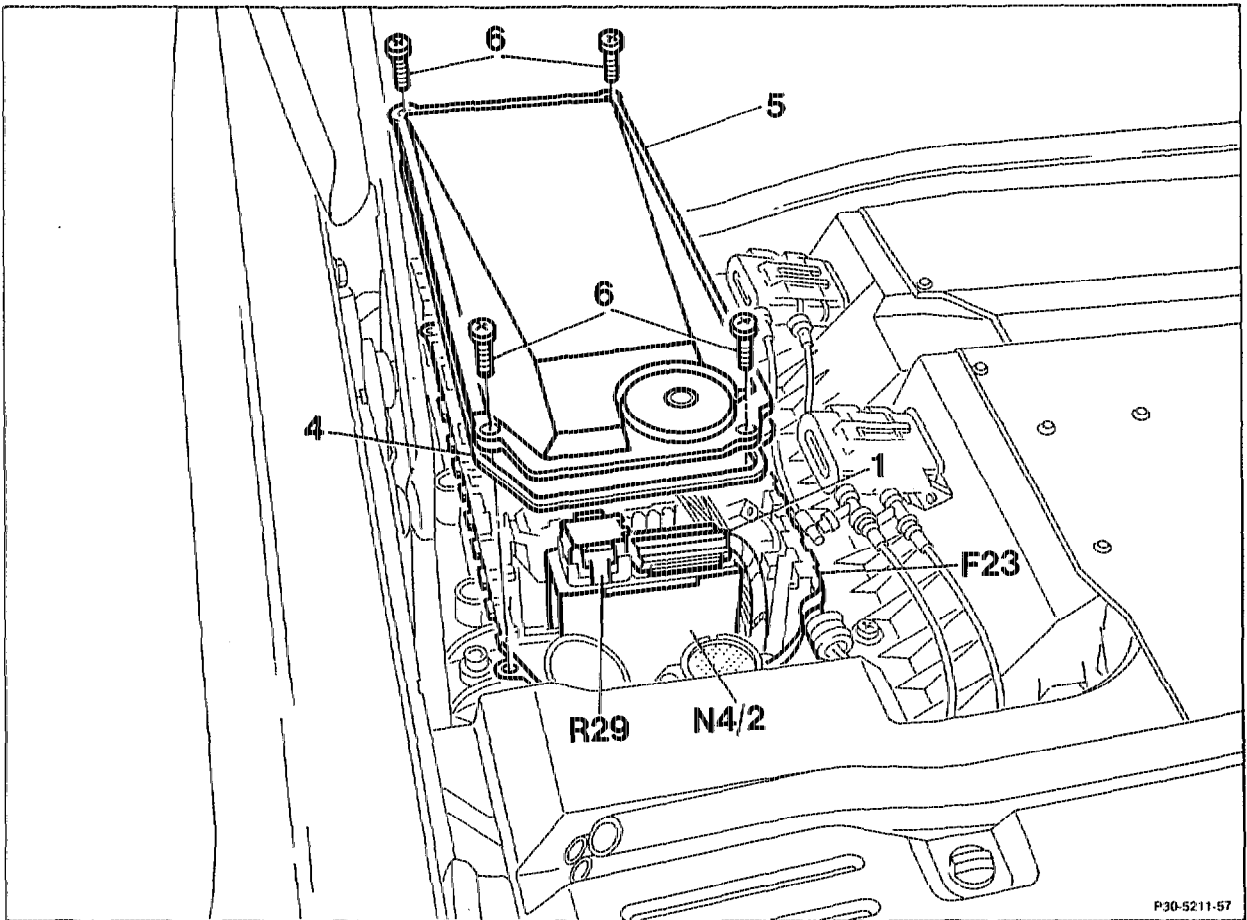
The new Tempomat/cruise control (TPM) reference resistor amplifier (N 4/2) has no influence either on cabling or, as a consequence, on wiring diagrams.

B. Model 129



Battery	disconnect, connect.
Cover of unit compartment, right	remove, install.
Tempomat/cruise control reference resistor (R29)	disconnect, check (30-506) and connect.
Connector (1) of harness	disconnect, connect.
Nuts (2)	unscrew, screw on.
Tempomat/cruise control (TPM) reference resistor amplifier (N4/2)	remove, install. If amplifier is defective, always check adjustment of connecting rod.
Function test	perform on road.

C. Model 140

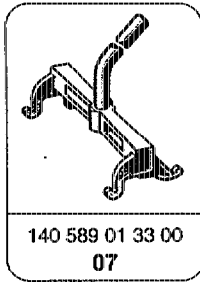


P30-5211-57

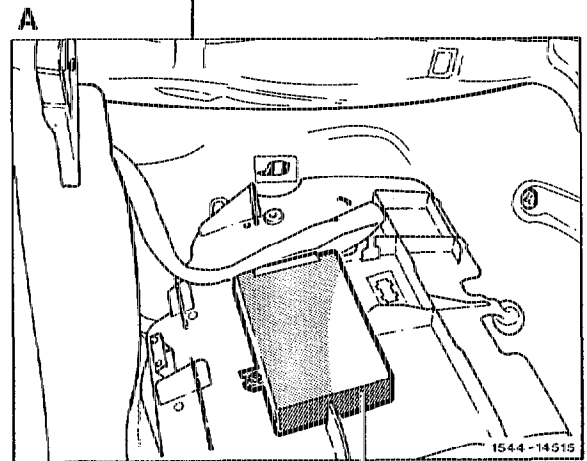
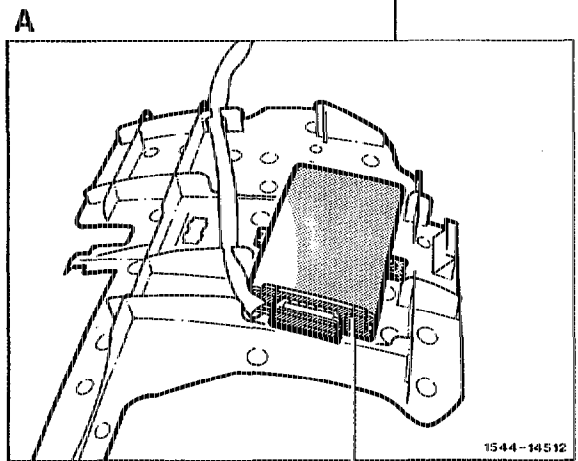
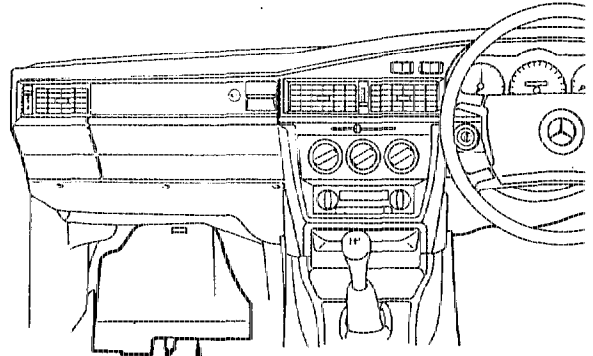
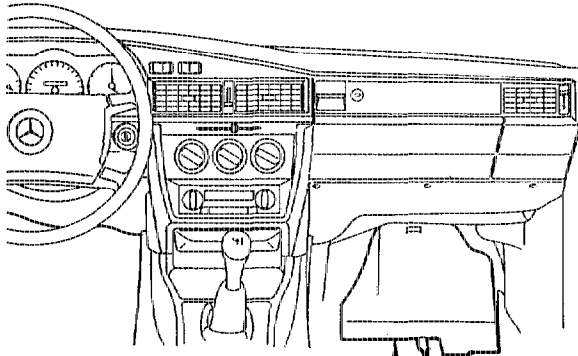
Battery	disconnect, connect.
Screws (6)	unscrew, screw in.
Cover (5) of module box (F23)	lift up, mount.
Gasket (4)	check for damage, when installing, ensure correct seating of gasket (4).
Tempomat/cruise control reference resistor (R29)	disconnect, check (30-506) and connect.
Connector (1) of harness	disconnect, connect.
Tempomat/cruise control (TPM) reference resistor amplifier (N4/2)	remove, install using assembly lever 140 589 01 33 00. If amplifier is defective, always check adjustment of connecting rod.

Function test perform on road.

Special tool

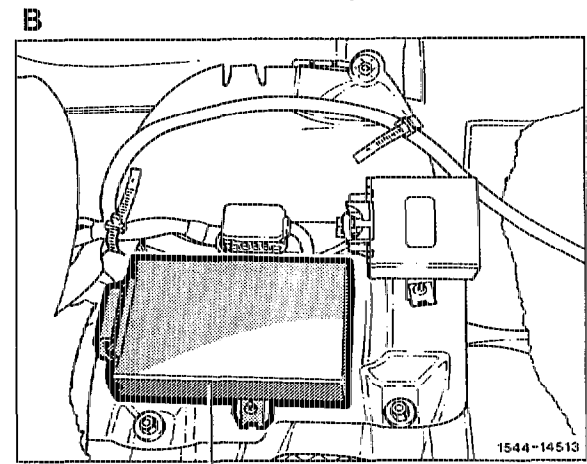
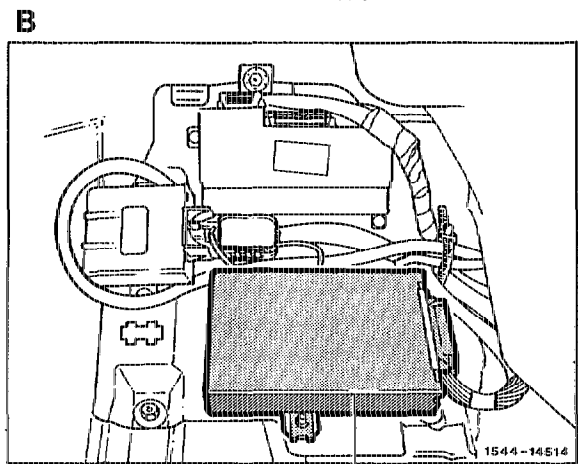


D. Model 201



N4

N4



1542-14540

N4

N4

- | | |
|--|----------------------|
| Battery | disconnect, connect. |
| Foot mat front right or left | remove, install. |
| Foot support front right or left | remove, install. |

Connector of harness at Tempomat/cruise control (TPM) amplifier (N4)	disconnect, connect.
Tempomat/cruise control (TPM) amplifier (N4) . . .	unscrew, screw on at foot support (version A).
Fastening plate for cruise control amplifier	remove, install (version B).
Tempomat/cruise control (TPM) amplifier (N4) . . .	unscrew, screw on at fastening plate (version B). If amplifier is defective, the adjustment of the connecting rod must be checked.
Function test	perform on road.

Note

A new cruise control reference resistor amplifier is installed on models 201.029/128. The remaining models will be phased in. Prior to re-use, check reference resistor (30-506).

The new Tempomat/cruise control reference resistor amplifier (N4/2) has no influence either on cabling or, as a consequence, on wiring diagrams.