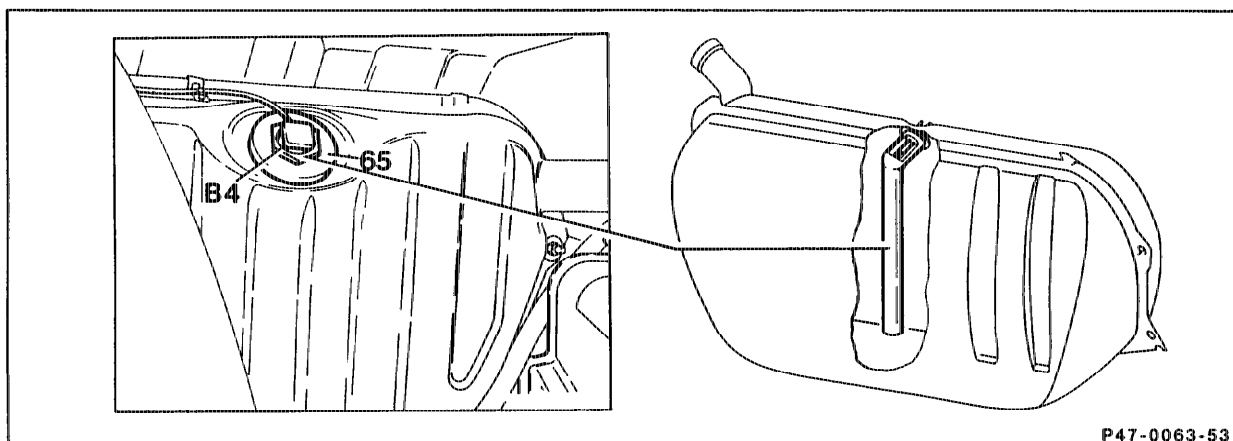


47-7000 Removing and Installing Fuel Gauge Sending Unit

Preceding work:

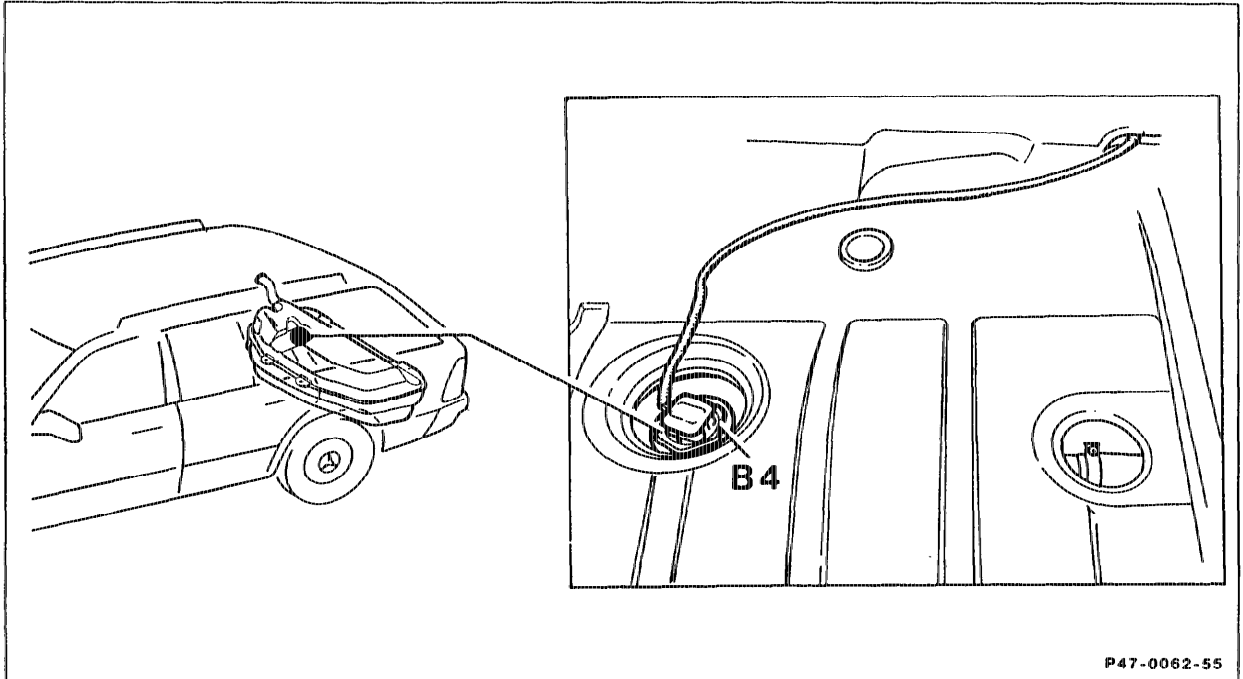
Operation no. of operation texts and work units or standard texts and flat rates: 47-7000

A. Models 124 Sedan, 201



Battery ground cable	disconnect, connect.
Panelling of fuel tank	remove, install. Model 201 only partially.
Connector on sending unit (B4)	detach, fit on.
Sealing flange (65)	unscrew, screw on, 39 Nm. First of all pump off approx. 8 litres if fuel tank full. Renew seals.
Sending unit (B4)	remove, install. Empty by running if necessary. Remove locking pin below adhesive strip (new part only).

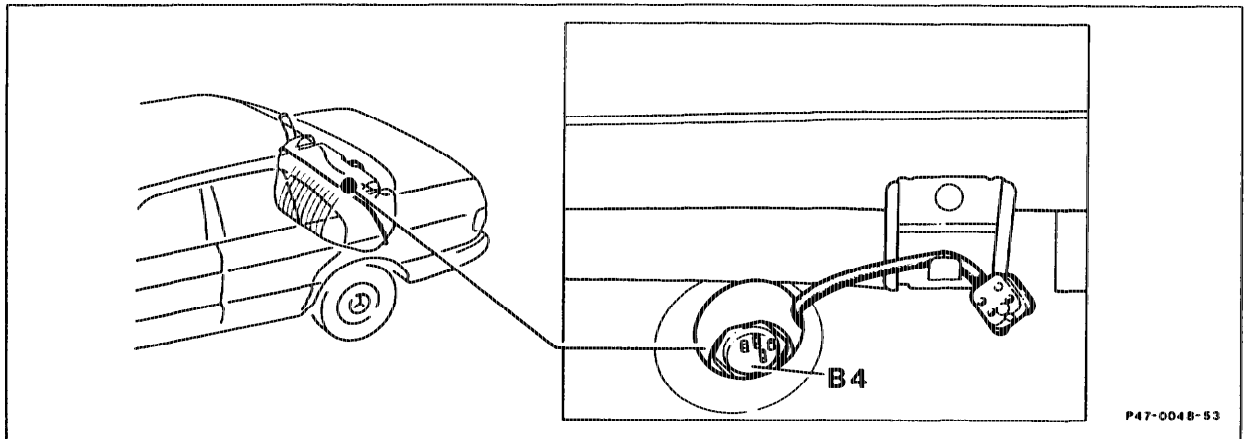
B. Model 124 Station Wagon



P47-0062-55

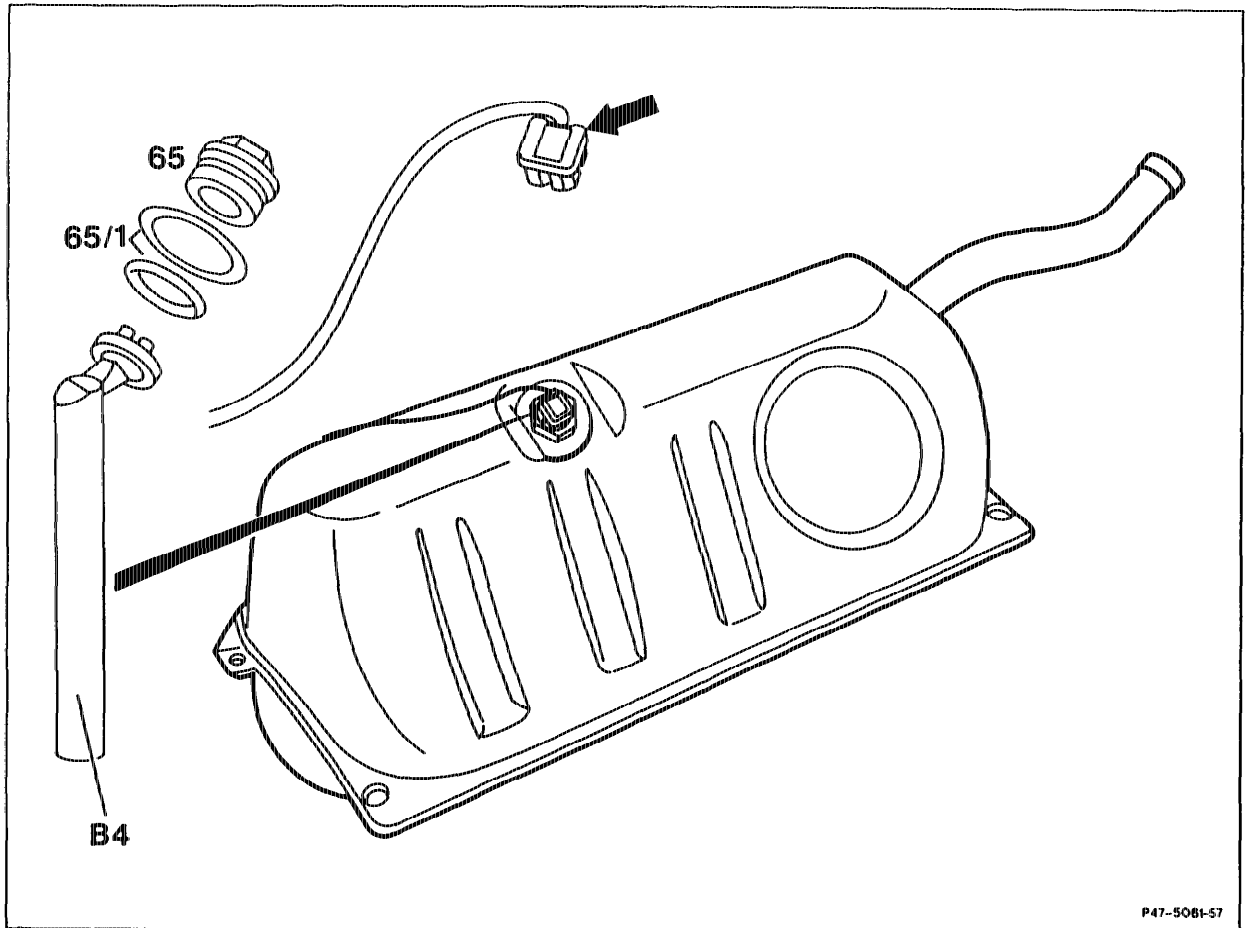
Battery ground cable	disconnect, connect to battery.
Front cargo area flap or 3rd bench seat backrest	remove, install.
Cargo area panelling	partially remove, install.
Cap	unclip, clip in place.
Connector on sending unit (B4)	detach, fit on.
Sending unit (B4)	remove, install 39 Nm. Empty by running if necessary. Remove locking pin below adhesive strip (new part only).

C. Model 126



Battery ground cable	disconnect, connect.
Rear bench seat, backrest	remove, install (91-170).
Cap	unclip, clip in place.
Connector on sending unit (B4)	detach, protect against slipping off, fit on.
Sending unit (B4)	remove, install, 39 Nm. Empty by running if necessary. Renew seal. Remove adhesive strip and locking pin (new part only).

D. Model 140



Pay attention to safety precautions!

Pressure in fuel tank	release by opening cap, fitting on.
Ground cable	disconnect at battery, connect.
Cover for fuel tank	remove, install.
Coupling (arrow) of fuel gauge sending unit (B4) .	unplug, plug in.
Sealing flange (65)	unscrew, screw on.



If fuel tank is full, pump out about 8 litres.
Tightening torque 39 Nm.

O-rings (65/1) replace.
Fuel gauge sending unit (B4) remove, install. Empty by running if necessary.

Note

If new part, remove adhesive strip and locking pin.