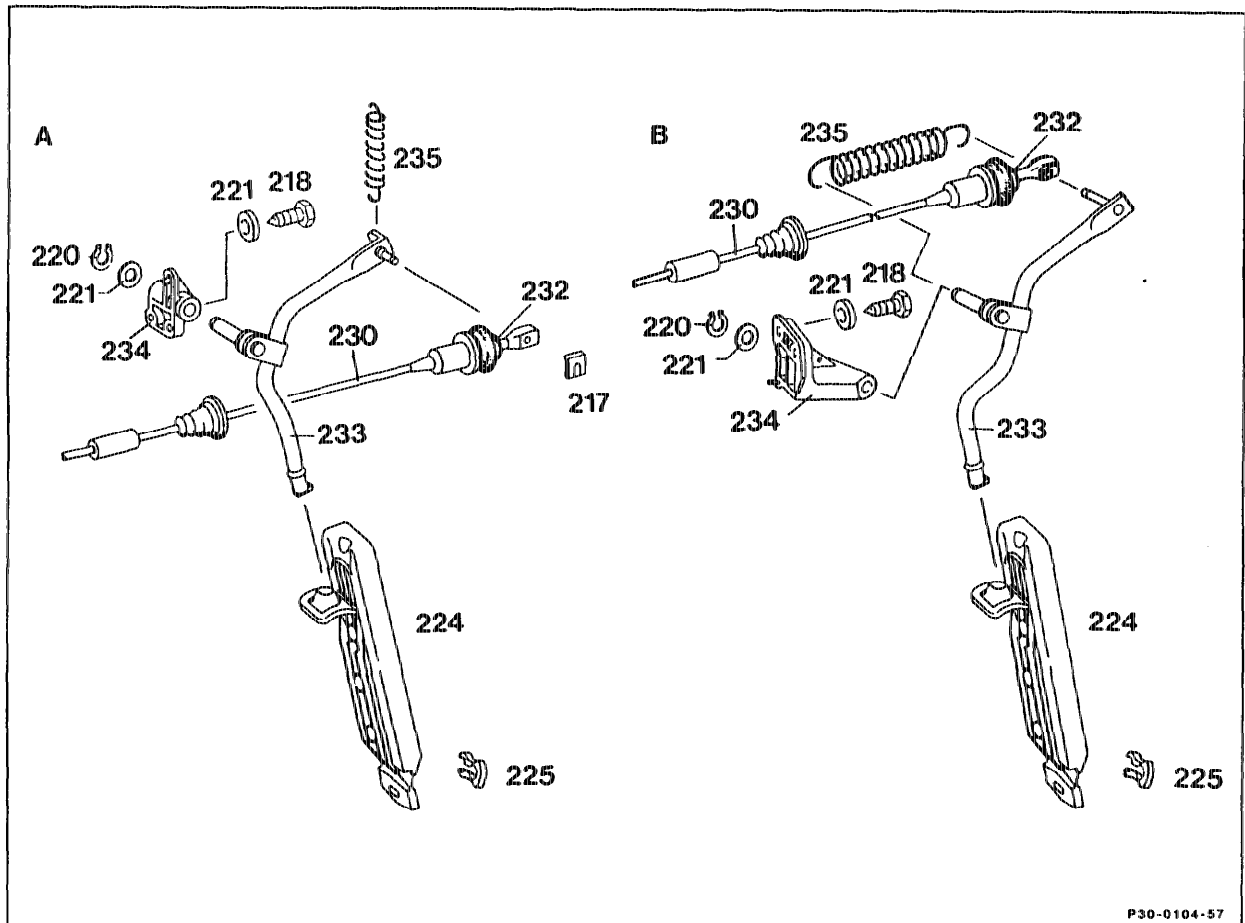


30-3022 Removing and Installing Firewall Bearing for Accelerator Pedal Lever

Preceding work:

Operation no. of operation texts and work units or standard texts and flat rates: 30-3022

A. Model 124, 201



A Model 201

B Model 124

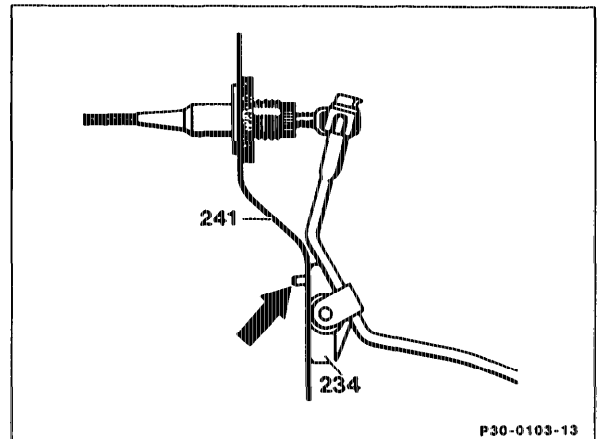
Footwell covering	remove, install.
Accelerator pedal (224)	remove, install (30-330). Unclip, clip in expanding clip (225) for this step.
Return spring (235)	detach, attach.
Locking element (217)	(Model 201 only) remove, re-fit.
Bowden cable (230)	detach, attach.

Firewall bearing (234) with accelerator pedal lever (233)	remove, install. Remove, fit bolt (218) and washer (221) for this step. Pay attention to installation note for Model 201.
Locking element (220)	detach from accelerator pedal lever, fit on. Press accelerator pedal lever out of firewall bearing, press in.
Accelerator control	check, adjust if necessary (30-1010).

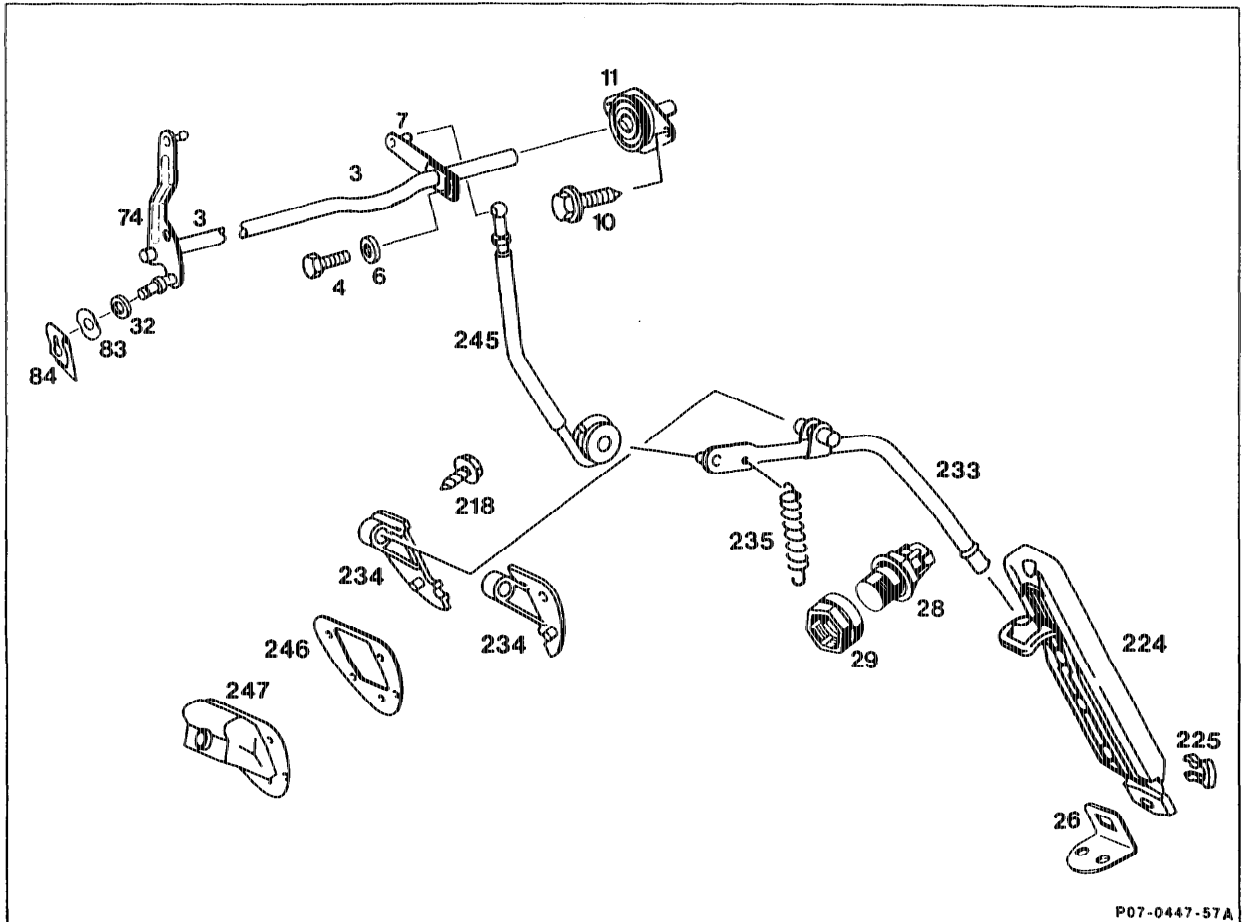
Installation note Model 201

Ensure that the lug (arrow) of the firewall bearing (234) engages in the hole on the firewall (241).

Check accelerator control linkage, adjust if necessary (30-1010).



B. Model 126



P07-0447-57A

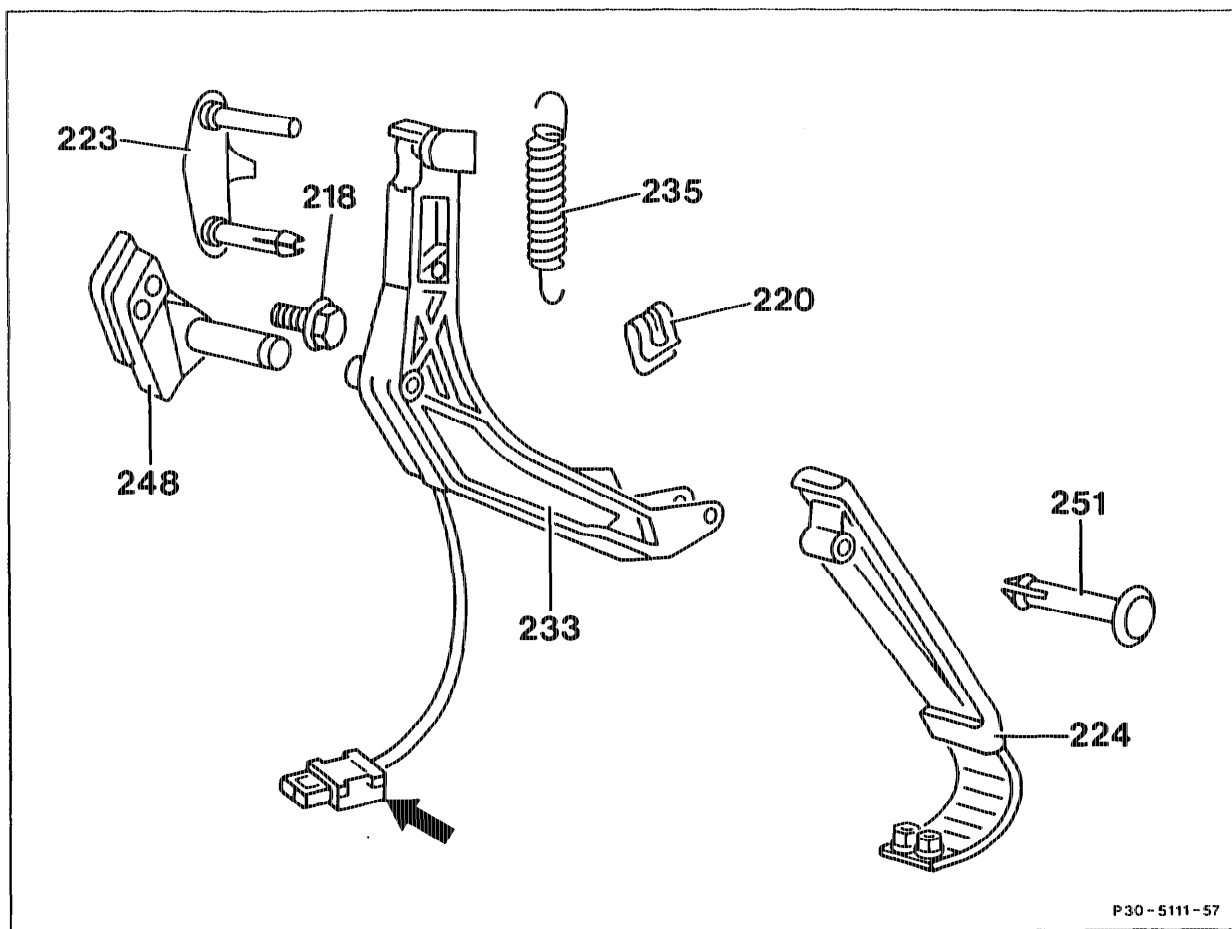
Footwell covering	remove, install.
Accelerator pedal (224)	remove, install (30-330). Unclip, clip in spreader clip (225) for this step.
Return spring (235)	detach, attach.
Firewall bearing (234) with accelerator pedal lever (233)	remove, install. Remove, fit bolt (218) for this step.
Thrust rod (245), intermediate plate (246) and rubber seal (247)	remove, fit.
Accelerator control	check, adjust if necessary (30-1010).

Note

The bearing points as well as the ball sockets of the accelerator control linkage should be greased with DB anti-corrosion grease (Part No. 000 989 87 57 10).

The link from the accelerator pedal lever to accelerator pedal is maintenance-free and does not need to be greased.

C. Model 140



P30-5111-57

Cover below instrument panel	remove, install.
Spreader bolt (251)	push out, push in.
Return spring (235)	detach, attach.
Bowden cable	take off from the accelerator pedal lever (233), fit on. To do this, take off plate (223), fit on.
Locking plate (220) at pin of firewall bearing (248)	slacken, attach.
Accelerator pedal lever (233)	pull off, push on.
Bolts (218)	unscrew at firewall bearing, screw in.
Firewall bearing (248)	take off, fit on.
Coupling for idle speed contact switch (arrow) ...	unplug, plug together.
Accelerator control	check, adjust if necessary (30-1010).