

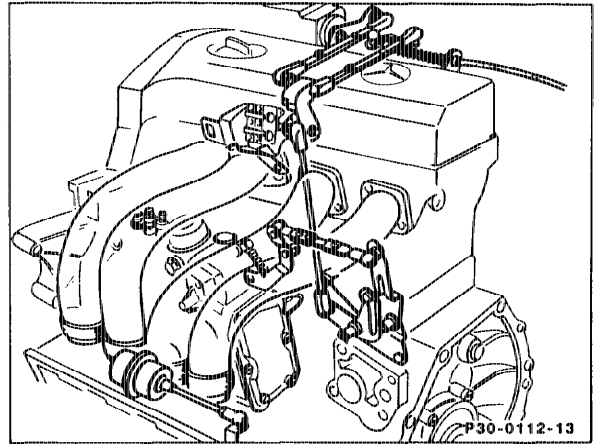
30-0010 Lubricating Accelerator Control Linkage, Checking Ease of Movement and Wear

Preceding work:
Engine wash

Operation no. of operation texts and work units or standard texts
and flat rates: 30-0010

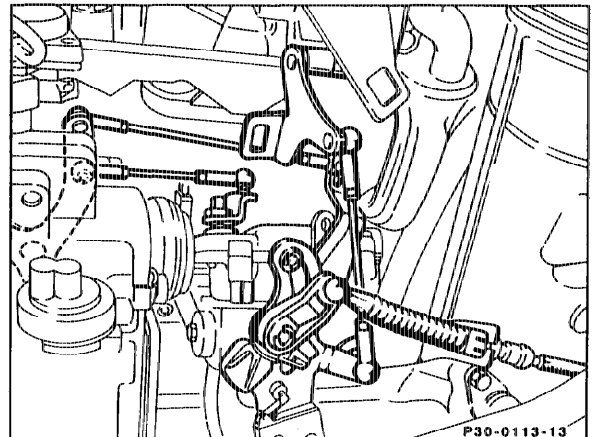
- Each time after washing the engine and treating the engine with wax protection, lubricate all the bearing points of all the accelerator control shafts, accelerator control levers, joints of the accelerator control linkage with an oil can.
- The Bowden cable is maintenance-free and does not need to be lubricated.
- On cars in (USA) version only the following hydraulic oils may be used:

Castrol DB Hydraulic Fluid
Mobil Aero HFA
Shell Aero Fluid 4



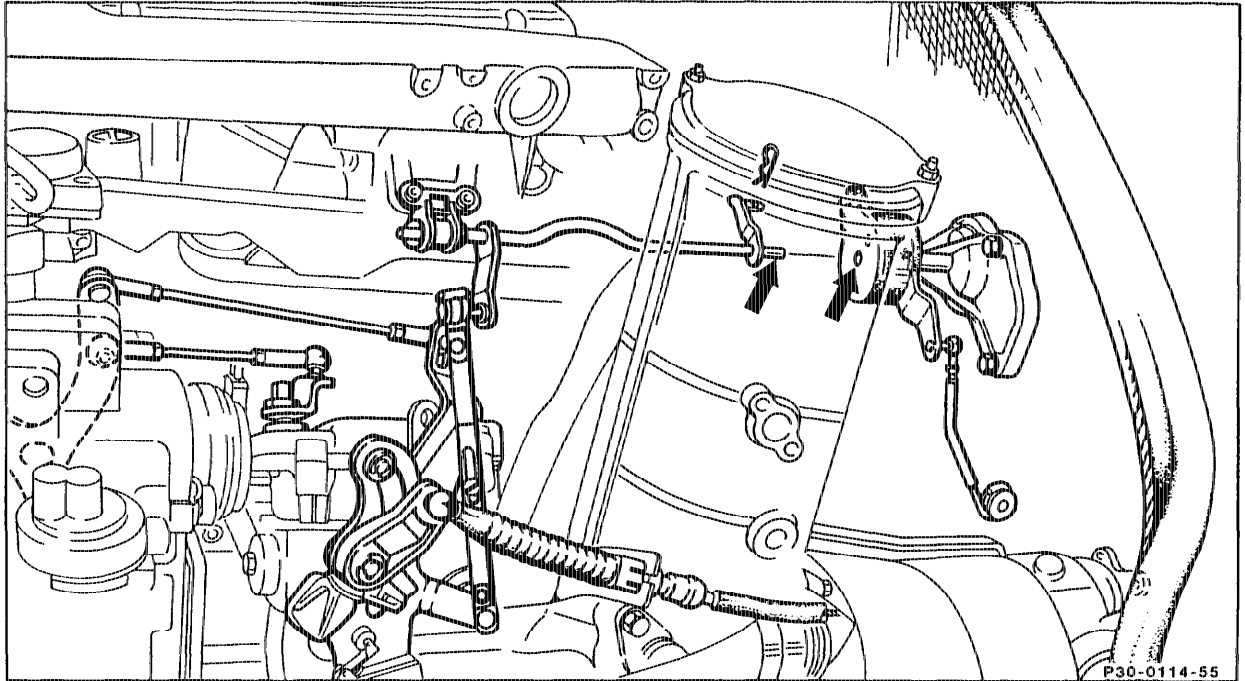
Engine 602.96, Model 201

- Use anti-corrosion grease MB Part No. 000 989 87 51 10 when performing assembly work on the accelerator control linkage.
- Check the accelerator control shafts, control levers, relay levers, ball sockets, Bowden cable and accelerator control linkage for ease of movement and wear.



Engine 603.96, Model 124

The link between accelerator control shaft and lever (arrow) must not be lubricated.



Engine 603.96, Model 126