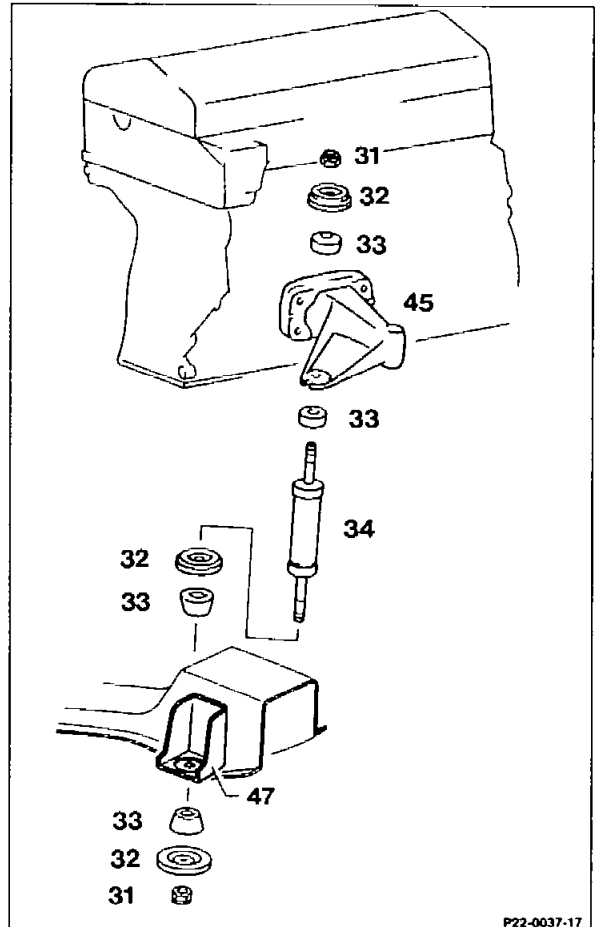
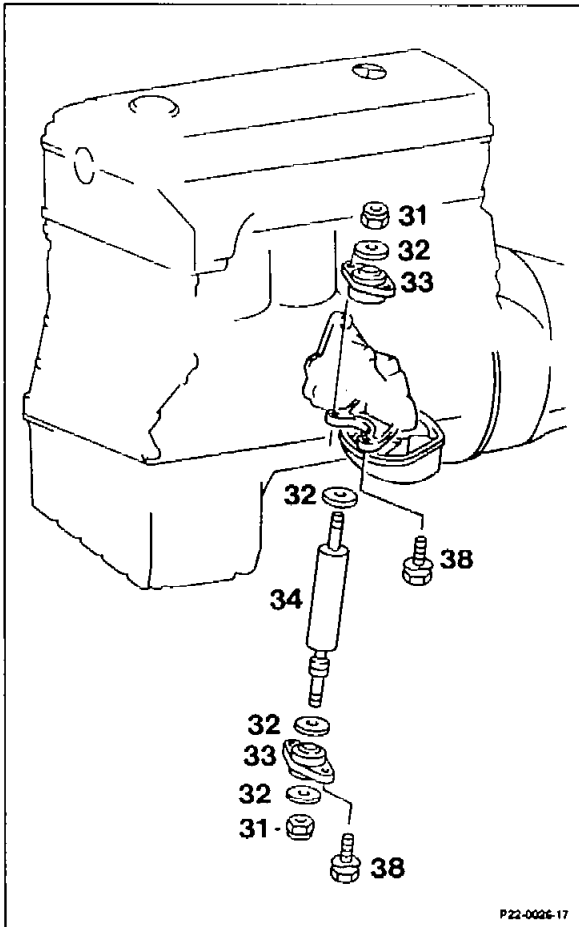


22-240 Removing and installing engine shock absorber

Preceding work:
Bottom engine compartment lining removed (01-006).

Operation no. of operation texts and operation values or standard
texts and flat rates 22-7010
..... 22-7020

Engine 601.91/92 in model 201, 603.96/97 in model 126



Model 201.122 (up to 02/85)

Model 126

Model 201.122

Hexagon nut (31)

unscrew at frame cross member and at engine supporting bracket, screw on, 10 Nm.

Engine shock absorber (34)

remove from the mounts (33), install.

Mount (33)

unscrew from frame cross member and from engine supporting bracket, screw on, 10 Nm.

Model 126

- Hexagon nut (31) of left and right shock absorber (34), unscrew at frame cross member and at engine supporting bracket, screw on, 10 Nm.
- Shock absorber (34) take off, install.

Note

Check condition of shock absorbers and all attached parts; renew, if necessary.

Tightening torques

Nm

Hexagon nuts, shock absorber mounting	10
Hexagon bolts, shock absorber mount model 201.128	10

Special tool

