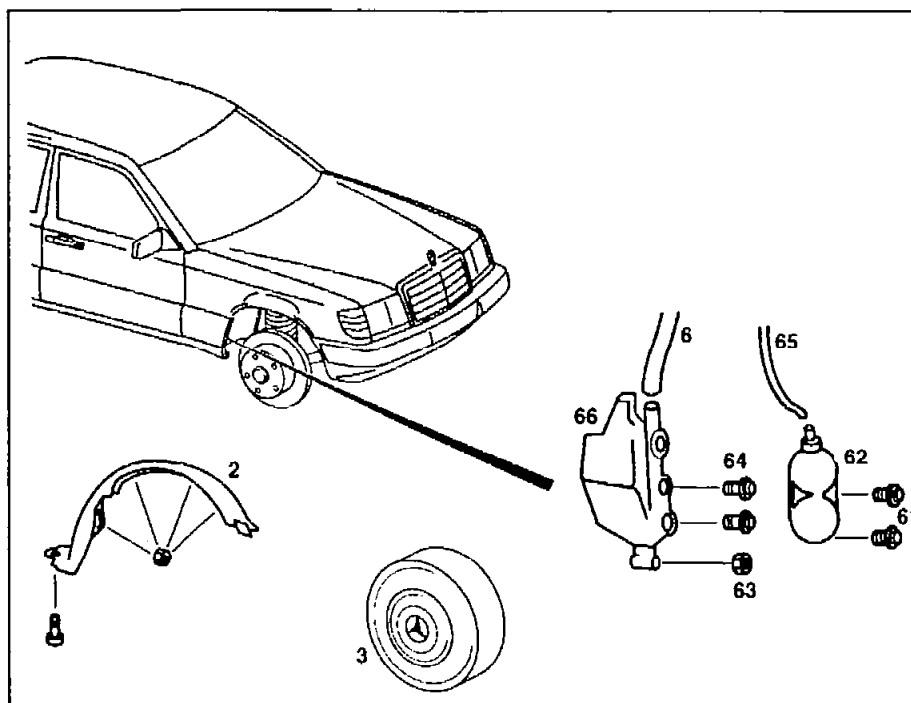


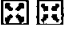
ENGINE 602.96 in MODEL 124, 201

ENGINE 603.96 in MODEL 124

- 2 Wheel housing liner
- 3 Wheel
- 6 Coolant hose
- 61 Bolts
- 62 Vacuum reservoir
- 63 Nut
- 64 Bolts
- 65 Vacuum line
- 66 Overflow tank



P20.30-0320-06

	Removing, installing		
1	Take off wheel (3)		
2	Unbolt partition below front wheelhousing liner (2)		
3	Remove vacuum reservoir (62)		
4	Detach coolant hose (6)		
5	Remove overflow tank (66)		
6	Install in the reverse order		